

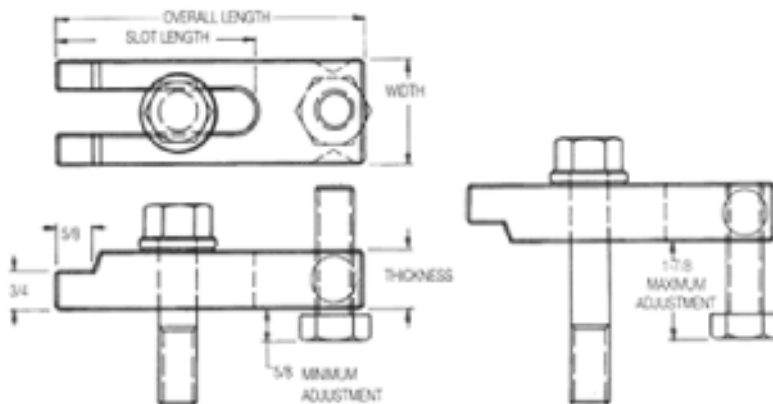
Open Toe MOLD CLAMPS



(All Clamp Styles and Sizes Available with Non-Swivel-Base)



- Each Mold Clamp Set Consists of:
- 1 - Mold Clamp
 - 1 - Clamp Adjusting Screw
 - 1 - Mold Washer
 - 1 - Clamping Screw



For Clamping Screw Diameter	Clamping Screw Size Supplied With Assembly Diameter x Length	Mold Clamp Specifications				Complete Assembly Part Number	Price Each	Individual Clamp Bodies Part Number	Price Each
		Thickness	Width	Slot Length	Overall Length				
5/8"	5/8-11 x 3-1/4	1	1-3/4	2-3/4	4	MCCFC584A	\$20.75	MCHD584	\$16.75
				3-1/4	5	MCCFC585A	\$22.50	MCHD585	\$17.50
				3-3/4	6	MCCFC586A	\$24.50	MCHD586	\$20.50
				4-1/4	7	MCCFC587A	\$26.25	MCHD587	\$22.50
3/4"	3/4-10 x 4	1-1/8	2	3-3/8	5	MCCFC755A	\$29.25	MCHD755	\$22.75
				3-7/8	6	MCCFC756A	\$30.25	MCHD756	\$24.75
				4-3/8	7	MCCFC757A	\$33.25	MCHD757	\$26.75
				5-3/8	8	MCCFC758A	\$35.25	MCHD758	\$29.00
1"	1-8 x 4-1/2	1-1/2	2-1/2	6	10	MCCFC110A	\$52.75	MCHD110	\$39.25

© 2009 MOLDERS CHOICE, Inc.



24 Hour Service - 7 Days a week
1-800-809-4623
 WebSite: www.molderschoice.com • Email: modlers@molderschoice.com

Open Toe MOLD CLAMPS

HEAVY DUTY

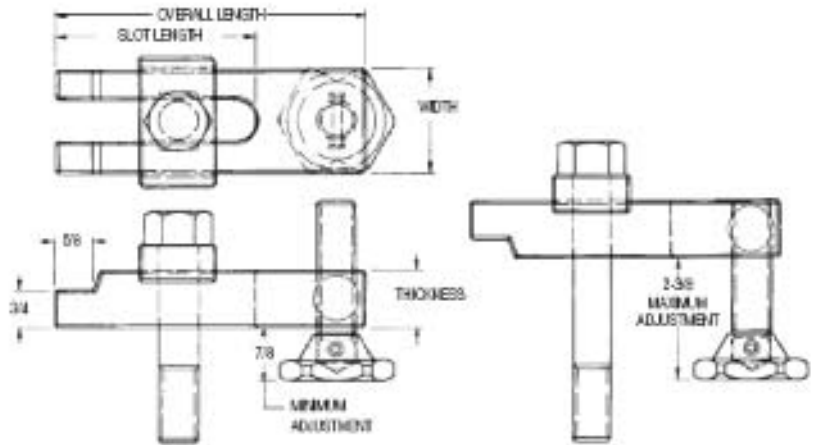
(with Swivel-Base Adjusting Screw)



Each Mold Clamp Set

Consists of:

- 1 - Mold Clamp
- 1 - Clamp Adjusting Screw
- 1 - Mold Washer
- 1 - Clamping Screw



For Clamping Screw Diameter	Clamping Screw Size Supplied With Assembly Diameter x Length	Mold Clamp Specifications				Complete Assembly Part Number	Price Each	Individual Clamp Bodies Part Number	Price Each
		Thickness	Width	Slot Length	Overall Length				
5/8"	5/8-11 x 3-1/2	1	1-3/4	2-3/4	4	MCTAC584A	\$30.00	MCHD584	\$16.75
				3-1/4	5	MCTAC585A	\$31.75	MCHD585	\$17.50
				3-3/4	6	MCTAC586A	\$33.75	MCHD586	\$20.50
				4-1/4	7	MCTAC587A	\$35.25	MCHD587	\$22.50
3/4"	3/4-10 x 4	1-1/8	2	3-3/8	5	MCTAC755A	\$38.50	MCHD755	\$22.75
				3-7/8	6	MCTAC756A	\$40.25	MCHD756	\$24.75
				4-3/8	7	MCTAC757A	\$42.25	MCHD757	\$26.75
				5-3/8	8	MCTAC758A	\$44.50	MCHD758	\$29.00
1"	1-8 x 5	1-1/2	2-1/2	6	10	MCTAC110A	\$67.00	MCHD110	\$39.25

© 2009 MOLDERS CHOICE, Inc.



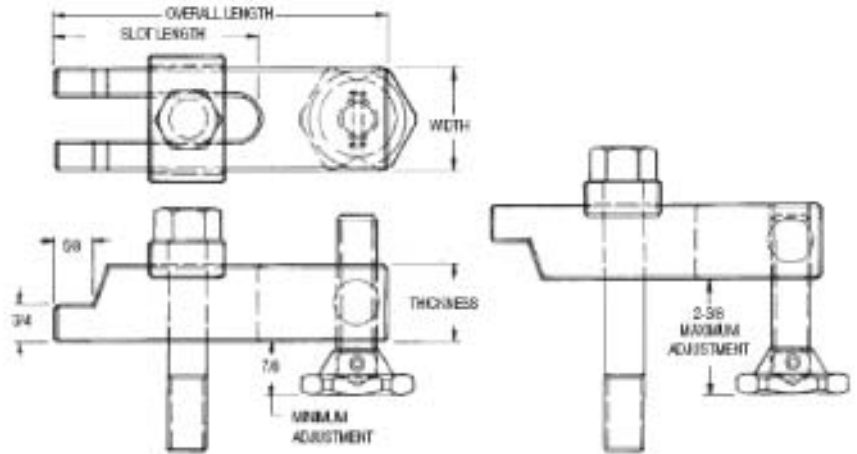
24 Hour Service - 7 Days a week
1-800-809-4623
 WebSite: www.molderschoice.com • Email: molders@molderschoice.com

Open Toe MOLD CLAMPS

EXTRA HEAVY DUTY (with Swivel-Base Adjusting Screw)



- Each Mold Clamp Set
Consists of:
- 1 - Mold Clamp
 - 1 - Clamp Adjusting Screw
 - 1 - Mold Washer
 - 1 - Clamping Screw



For Clamping Screw Diameter	Clamping Screw Size Supplied With Assembly Diameter x Length	Mold Clamp Specifications				Complete Assembly Part Number	Price Each	Individual Clamp Bodies Part Number	Price Each
		Thickness	Width	Slot Length	Overall Length				
5/8"	5/8-11 x 3-3/4	1-1/4	1-3/4	3-5/8	6	MCTAC5860A	\$37.00	MCHXD5860	\$24.25
				4-5/8	7-1/2	MCTAC5875A	\$40.25	MCHXD5875	\$27.25
3/4"	3/4-10 x 3-3/4	1-1/2	2	4	6-1/2	MCTAC7565A	\$50.00	MCHXD7565	\$34.25
				5	8	MCTAC7580A	\$53.00	MCHXD7580	\$37.25
				6	9-1/2	MCTAC7595A	\$71.50	MCHXD7595	\$40.25
1"	1-8 x 5-1/2	1-3/4	2-1/2	4-3/8	8	MCTAC1008A	\$71.50	MCHXD1008	\$42.50
				6-3/8	11	MCTAC1011A	\$78.00	MCHXD1011	\$50.00

© 2010 MOLDERS CHOICE, Inc.



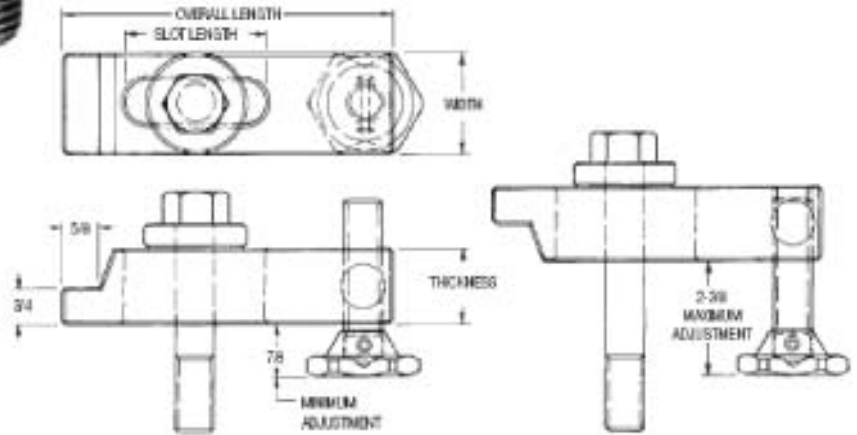
24 Hour Service - 7 Days a week
1-800-809-4623
 WebSite: www.molderschoice.com • Email: molders@molderschoice.com

Closed Toe MOLD CLAMPS

EXTRA HEAVY DUTY (with Swivel-Base Adjusting Screw)



- Each Mold Clamp Set
Consists of:
- 1 - Mold Clamp
 - 1 - Clamp Adjusting Screw
 - 1 - Mold Washer
 - 1 - Clamping Screw



For Clamping Screw Diameter	Clamping Screw Size Supplied With Assembly Diameter x Length	Mold Clamp Specifications				Complete Assembly Part Number	Price Each	Individual Clamp Bodies Part Number	Price Each
		Thickness	Width	Slot Length	Overall Length				
5/8"	5/8-11 x 3-1/2	1	1-3/4	2-5/8	6	MCTAC5861A	\$37.25	MCXHD5861	\$25.25
				3-5/8	7-1/2	MCTAC5876A	\$40.00	MCXHD5876	\$28.00
3/4"	3/4-10 x 4	1-1/8	2	2-3/4	6-1/2	MCTAC7566A	\$51.25	MCXHD7566	\$36.50
				3-3/4	8	MCTAC7581A	\$54.25	MCXHD7581	\$39.50
				4-3/4	9-1/2	MCTAC7596A	\$57.50	MCXHD7596	\$42.75
1"	1-8 x 5	1-1/2	2-1/2	3	8	MCTAC1009A	\$72.00	MCXHD1009	\$45.00
				5	11	MCTAC1012A	\$79.25	MCHXD1012	\$52.75
1-1/4"	1-1/4-7 x 6	1-3/4	3	5-1/2	13	MCTAC1250A	\$144.50	MCXHD1250	\$94.25
1-1/2"	1-1/2-6 x 6	1-3/4	3-1/2	5-3/4	13-1/2	MCTAC1500A	\$160.75	MCXHD1500	\$104.25

© 2009 MOLDERS CHOICE, Inc.



24 Hour Service - 7 Days a week
1-800-809-4623
 WebSite: www.molderschoice.com • Email: molders@molderschoice.com

Closed Toe MOLD CLAMPS

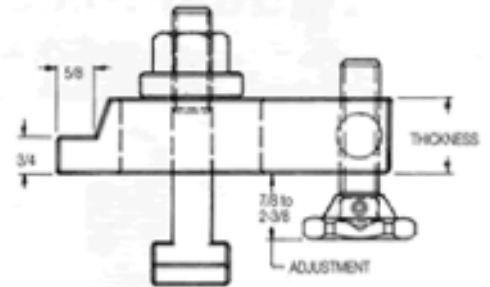
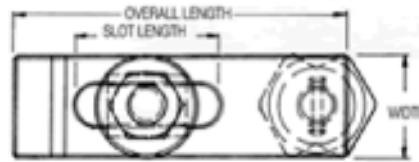
EXTRA HEAVY DUTY

For "T-Slotted" Machines
(with Swivel-Base Adjusting Screw)



Each Mold Clamp Set
Consists of:

- 1 - Mold Clamp
- 1 - Clamp Adjusting Screw
- 1 - Mold Washer
- 1 - Clamping Screw



Clamping Screw Size Supplied With Assembly Diameter x Length	Mold Clamp Specifications				Complete Assembly Part Number	Price Each	Individual Clamp Bodies Part Number	Price Each
	Thickness	Width	Slot Length	Overall Length				
5/8 x 4-1/2	1-1/4	1-3/4	2-5/8	6	MCTBA5861A	\$41.50	MCHXD5861	\$25.25
3/4 x 3-3/4	1-1/2	2	4-5/8	7-1/2	MCTBA7566A	\$57.75	MCHXD7566	\$35.50
1 x 6	1-3/4	2-1/2	4	6-1/2	MCTBA1009A	\$80.50	MCHXD1009	\$44.00

© 2009 MOLDERS CHOICE, Inc.



24 Hour Service - 7 Days a week
1-800-809-4623
 WebSite: www.molderschoice.com • Email: molders@molderschoice.com

MOLD CLAMPS Accessory Replacement Parts

High Strength: Grade 5, Hex Head Clamping Screws

Part #	Length	Thread Size	Hex Size	Thickness	Price Each
MCS1235	3-1/2	1/2-13	3/4	5/16	\$2.50
MCS5832	3-1/2	5/8-11	15/16	25/64	\$2.25
MCS8535	3-1/2	5/8-11	15/16	25/64	\$2.50
MCS5837	3-3/4	5/8-11	15/16	25/64	\$2.75
MCS7540	4	3/4-10	1-1/8	15/32	\$3.50
MCS7545	4-1/2	3/4-10	1-1/8	15/32	\$3.75
MCS1045	4-1/2	1-8	1-1/2	39/64	\$7.25
MCS1050	5	1-8	1-1/2	39/67	\$7.50
MCS1055	5-1/2	1-8	1-1/2	39/64	\$8.00
MCS1256	6	1-1/2-6	1-7/8	3/4	\$17.75
MCS1506	6	1-1/2-6	2-1/4	7/8	\$21.50



Extra Large No-Twist Rectangular Mold Washers



Part #	Screw Dia. (I.D.)	Length	Thickness Above Clamp	Clamp Width	Price Each
MCSW127	1/2	2-1/4	3/4	1-1/4	\$6.00
MCSW587	5/8	2-1/4	3/4	1-1/4	\$5.50
MCSW757	3/4	2-1/2	3/4	1-1/2	\$6.00
MCSW1007	1	3	1	2	\$7.25

High Strength: T-Slot Bolts



Part #	Length	Thread Size	Price Each
MCTB5845	4-1/2	5/8-11	\$7.00
MCTB7550	5	3/4-10	\$9.00
MCTB1060	6	1-8	\$16.00

Extra Large Round Mold Washers



Part #	Screw Dia. (I.D.)	O.D. Dia.	Thickness	Price Each
MCRW586	5/8	1-3/4	1/2	\$4.00
MCRW756	3/4	2	1/2	\$3.75
MCRW1006	1	2-1/2	5/8	\$6.75
MCRW1256	1-1/4	3	5/8	\$8.25
MCRW1506	1-1/2	3-1/2	5/8	\$10.00

Hex Head Adjusting Screws



Part #	Clamp Screw Dia.	Thread Size	Head Thickness	Height Above Head	Price Each
MCH-58	5/8	5/8-11	7/16	2-1/2	\$2.75
MCH75	3/4	3/4-10	1/2	2-1/2	\$3.25
MCH100	1	1-8	5/8	2-1/2	\$6.00

Round Mold Washers



Part #	Screw Dia. (I.D.)	O.D. Dia.	Thickness	Price Each
MCRW58	5/8	1-1/4	1/4	\$2.50
MCRW75	3/4	1-1/2	1/4	\$3.00
MCRW100	1	2	5/16	\$4.00

Extra Large Adjusting Screw Assemblies



Part #	Clamp Screw Dia.	Thread Size	Swivel Base Hex Size	Base Height	Height Above Head	Price Each
MCH585	5/8	5/8-11	1-3/4	7/8	3	\$9.00
MCH755	3/4	3/4-10	2	7/8	3-1/2	\$10.50
MCH1005	1	1-8	2-1/2	1-5/16	3-1/2	\$16.50
MCH1505	1-1/4	1-1/2-6	3	1-5/8	5-5/8	\$30.00

Heavy Duty Hex Nuts for T-Slot Bolts



Part #	Screw Dia. (I.D.)	O.D. Dia.	Thickness	Price Each
MCN58	5/8-11	1-1/16	39/64	\$2.50
MCN75	3/4-10	1-1/4	47/64	\$3.00
MCN100	1-8	2-1/2	63/64	\$3.75

© 2009 MOLDERS CHOICE, Inc.

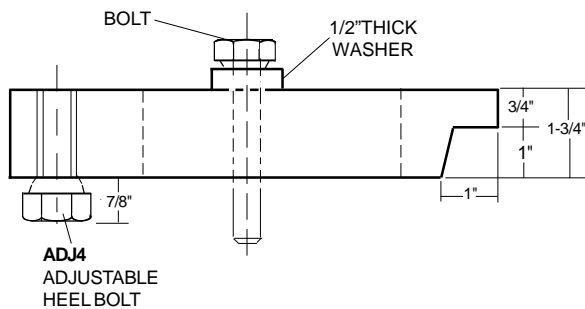


24 Hour Service - 7 Days a week
1-800-809-4623
 WebSite: www.molderschoice.com • Email: molders@molderschoice.com

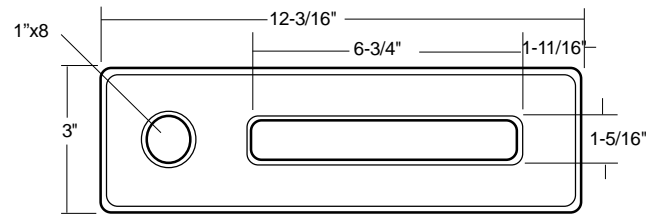
12" CLOSED-TOE MACHINED MOLD CLAMP

FOR 1-1/4" - 7 PLATEN HOLES
Adjustable, for all Mold Flanges 1" to 4-1/4"

- Hi-tensile hardened steel
- Black oxide finish resists rust and corrosion
- Extra thick design



Heavy duty design will NOT bend or break!



Full 1 Year Warranty

PART #	DESCRIPTION	PRICE
MCCM12	12" Closed-Toe Mold Clamp, weight: 13 lbs	\$90.00
B1147-60	1-1/4" - 7 x 6" Hex-head bolt (grade 8, black finish)	\$ 8.00
B1147-70	1-1/4" - 7 x 7" Hex-head bolt (grade 8, black finish)	\$ 8.50
ETW11450	2-1/2" O.D. x 1-5/16 I.D. x 1/2" thick Washer for 1-1/4" x 7 bolt	\$ 6.80
ADJ4	Adjustable heel bolt for 12" mold clamp, 1"x8 x 3-1/2	\$11.65

*** For Metric bolts, please call for prompt pricing & delivery**

©2014 MOLDERS CHOICE, Inc.



24 Hour Service - 7 Days a week

1-800-809-4623

WebSite: www.molderschoice.com • Email: molders@molderschoice.com