

3/4 SMARTFLOW ALUMINUM MANIFOLDS

Model Number

6SA - 16 - 2 - 3 - AYZ

Supply Threads

NPT
British Parallel
British Taper

6SA
6BSA
6TSA

Total Number of ports 4 to 16

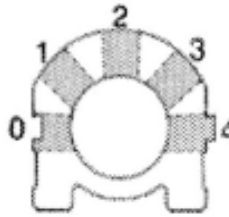
Ports Sizes

1/4" NPT(F)
1/4" BSPP(F)
1/4" BSPT(F)
3/8" NPT(F)
3/8" BSPP(F)
3/8" BSPT(F)

2
2B
2T
3
3B
3T

Ports Locations

0 Left Side
1 Left 45°
2 Center
3 Right 45°
4 Right Side

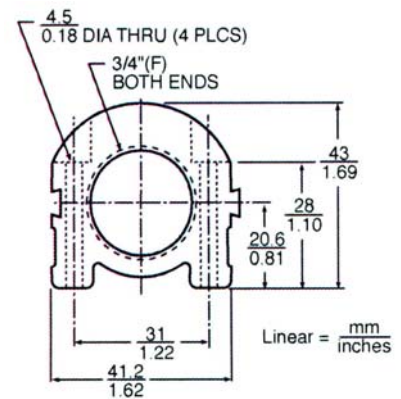


Accessories (add accessory and anodizing designators to the end of the model number as needed.

- A Manifold only
- B Ball Valves and Plain Flowmeters
- H Port Quick Connect Plugs
- J Port Hose Barbs
- X Special (consult the factory)

Anodizing

- Y Red
- Z Blue



Quick delivery is standard for made-to-order manifolds. Please call for availability.

3/4" Manifolds											
Number of Ports	1/4" Ports			Number of Ports	3/8" Ports						
	Model Number	Length in.	Length mm	Weight lbs.	Weight kg	Model Number	Length in.	Length mm	Weight lbs.	Weight kg	
4	6SA-4-2-2	7.5	190	1.1	0.5	4	6SA-4-3-2	9	229	1.4	0.6
6	6SA-6-2-2	10.5	267	1.6	0.7	6	6SA-6-3-2	13	330	2.0	0.9
8	6SA-8-2-2	13.5	343	2.0	0.9	8	6SA-8-3-2	17	432	2.6	1.2

For paired installation, slide manifolds together using dovetail lock along the side of each manifold.

©2012 MOLDERS CHOICE, Inc.



24 Hour Service - 7 Days a week
1-800-809-4623
 WebSite: www.molderschoice.com • Email: molders@molderschoice.com

1" SMARTFLOW ALUMINUM MANIFOLDS

Model Number

SA - 16 - 2 - 3 - AYZ

Supply Threads

NPT
British Parallel
British Taper

SA
BSA
TSA

Total Number of ports

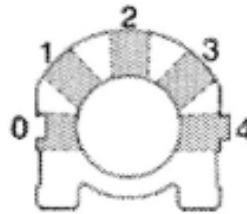
4 to 16

Ports Sizes

1/4" NPT(F)	2
1/4" BSPP(F)	2B
1/4" BSPT(F)	2T
3/8" NPT(F)	3
3/8" BSPP(F)	3B
3/8" BSPT(F)	3T
1/2" NPT(F)	4
1/2" BSPP(F)	4B
1/2" BSPT(F)	4T

Ports Locations

0 Left Side
1 Left 45°
2 Center
3 Right 45°
4 Right Side

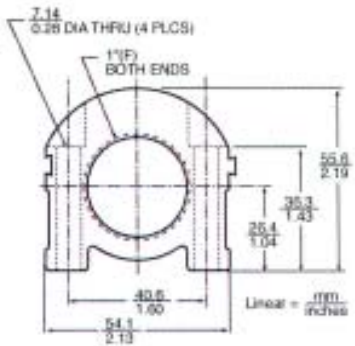


Accessories (add accessory and anodizing designators to the end of the model number as needed.

A Manifold only
B Ball Valves and Plain Flowmeters
H Port Quick Connect Plugs
J Port Hose Barbs
X Special (consult the factory)

Anodizing

Y Red
Z Blue



Quick delivery is standard for made-to-order manifolds. Please call for availability.

1" Manifolds							
Number of Ports	1/4" Ports			Number of Ports	3/8" Ports		
	Model Number	Length in.	Weight lbs.		Model Number	Length in.	Weight lbs.
4	SA-4-2-2	7.5	2.0	4	SA-4-3-2	9	1.4
6	SA-6-2-2	10.5	2.8	6	SA-6-3-2	13	2.0
8	SA-8-2-2	13.5	3.6	8	SA-8-3-2	17	2.6
10	SA-8-2-2	16.5	4.5	10	SA-8-2-2	16.5	4.5
12	SA-12-2-2	19.5	5.3	12	SA-12-2-2	19.5	5.3
16	SA-16-2-2	25.5	6.9	16	SA-16-2-2	25.5	6.9

For paired installation, slide manifolds together using dovetail lock along the side of each manifold.



© 2012 MOLDERS CHOICE, Inc.

24 Hour Service - 7 Days a week

1-800-809-4623

WebSite: www.molderschoice.com • Email: molders@molderschoice.com

1-1/2 SMARTFLOW ALUMINUM MANIFOLDS

Model Number

12SA - 16 - 2 - 3 - AYZ

Supply Threads

- NPT
- British Parallel
- British Taper

- 12SA
- 12BSA
- 12TSA

Total Number of ports **4 to 16**

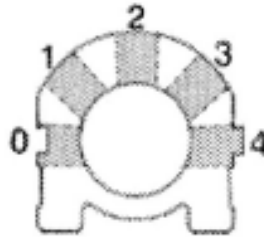
Ports Sizes

- 3/8" NPT(F)
- 3/8" BSPP(F)
- 3/8" BSPT(F)
- 1/2" NPT(F)
- 1/2" BSPP(F)
- 1/2" BSPT(F)
- 3/4" NPT(F)
- 3/4" BSPP(F)
- 3/4" BSPT(F)

- 3
- 3B
- 3T
- 4
- 4B
- 4T
- 6
- 6B
- 6T

Ports Locations

- 0 Left Side
- 1 Left 45°
- 2 Center
- 3 Right 45°
- 4 Right Side

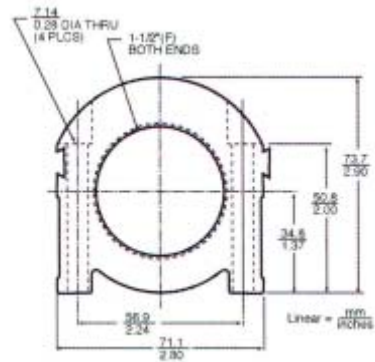


Accessories (add accessory and anodizing designators to the end of the model number as needed.)

- A Manifold only
- B Ball Valves and Plain Flowmeters
- H Port Quick Connect Plugs
- J Port Hose Barbs
- X Special (consult the factory)

Anodizing

- Y Red
- Z Blue



1-1/2" Manifolds					
Number of Ports	1/2" Ports				
	Model Number	Length		Weight	
		in.	mm	lbs.	kg
4	12SA-4-2-2	10	254	4.4	2.0
6	12SA-6-2-2	14	356	6.2	2.8
8	12SA-8-2-2	18	457	7.9	3.6
10	12SA-10-4-2	22	559	9.7	3.6
12	12SA-12-4-4-2	26	660	11.4	5.1
16	16SA-16-4-4-2	34	864	15.0	6.7

Quick delivery is standard for made-to-order manifolds. Please call for availability.

For paired installation, slide manifolds together using dovetail lock along the side of each manifold.

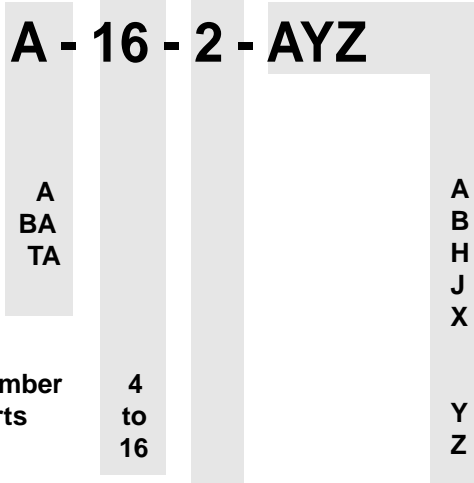
© 2012 MOLDERS CHOICE, Inc.



24 Hour Service - 7 Days a week
1-800-809-4623
 WebSite: www.molderschoice.com • Email: molders@molderschoice.com

2" SMARTFLOW INLINE MANIFOLDS

Model Number



Supply Threads
 NPT
 British Parallel
 British Taper

Accessories (add accessory and anodizing designators to the end of the model number as needed.)

- A** Manifold only
- B** Ball Valves and Plain Flowmeters
- H** Port Quick Connect Plugs
- J** Port Hose Barbs
- X** Special (consult the factory)

Total Number of ports **4 to 16**

Anodizing
Y Red
Z Blue

Ports Sizes
 1/2" BSPP(F) **4B**
 1/2" BSPT(F) **4T**
 3/4" NPT(F) **6**
 3/4" BSPP(F) **6B**
 3/4" BSPT(F) **6T**
 1" NPT(F) **8**
 1" BSPP(F) **8B**
 1" BSPT(F) **8T**

2" Manifolds					
Number of Ports	1/2" Ports				
	Model Number	Length		Weight	
		in.	mm	lbs.	kg
4	A-4-4	10	254	2.9	2.9
6	A-6-4	14	356	4.1	1.8
8	A-8-4	18	457	5.2	2.4
12	A-12-4	26	660	7.5	3.4
16	A-16-4	34	864	9.9	4.5

Quick delivery is standard for made-to-order manifolds. Please call for availability.

For paired installation, slide manifolds together using dovetail lock along the side of each manifold.

© 2009 MOLDERS CHOICE, Inc.



24 Hour Service - 7 Days a week

1-800-809-4623

WebSite: www.molderschoice.com • Email: molders@molderschoice.com