

3/4 SMARTFLOW ALUMINUM MANIFOLDS

Model Number

6SA - 16 - 2 - 3 - AYZ

Supply Threads

NPT
British Parallel
British Taper

6SA
6BSA
6TSA

Total Number of ports **4 to 16**

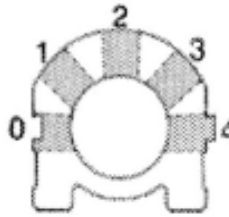
Ports Sizes

1/4" NPT(F)
1/4" BSPP(F)
1/4" BSPT(F)
3/8" NPT(F)
3/8" BSPP(F)
3/8" BSPT(F)

2
2B
2T
3
3B
3T

Ports Locations

0 Left Side
1 Left 45°
2 Center
3 Right 45°
4 Right Side

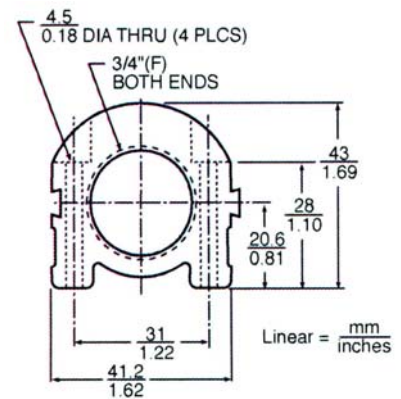


Accessories (add accessory and anodizing designators to the end of the model number as needed.

- A** Manifold only
- B** Ball Valves and Plain Flowmeters
- H** Port Quick Connect Plugs
- J** Port Hose Barbs
- X** Special (consult the factory)

Anodizing

- Y** Red
- Z** Blue



Quick delivery is standard for made-to-order manifolds. Please call for availability.

3/4" Manifolds											
Number of Ports	1/4" Ports			Number of Ports	3/8" Ports						
	Model Number	Length in.	Length mm	Weight lbs.	Weight kg	Model Number	Length in.	Length mm	Weight lbs.	Weight kg	
4	6SA-4-2-2	7.5	190	1.1	0.5	4	6SA-4-3-2	9	229	1.4	0.6
6	6SA-6-2-2	10.5	267	1.6	0.7	6	6SA-6-3-2	13	330	2.0	0.9
8	6SA-8-2-2	13.5	343	2.0	0.9	8	6SA-8-3-2	17	432	2.6	1.2

For paired installation, slide manifolds together using dovetail lock along the side of each manifold.

© 2012 MOLDERS CHOICE, Inc.



24 Hour Service - 7 Days a week
1-800-809-4623
WebSite: www.molderschoice.com • Email: molders@molderschoice.com

1" SMARTFLOW ALUMINUM MANIFOLDS

Model Number

SA - 16 - 2 - 3 - AYZ

Supply Threads

NPT
British Parallel
British Taper

SA
BSA
TSA

Total Number of ports

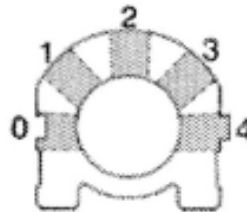
4 to 16

Ports Sizes

1/4" NPT(F)	2
1/4" BSPP(F)	2B
1/4" BSPT(F)	2T
3/8" NPT(F)	3
3/8" BSPP(F)	3B
3/8" BSPT(F)	3T
1/2" NPT(F)	4
1/2" BSPP(F)	4B
1/2" BSPT(F)	4T

Ports Locations

0 Left Side
1 Left 45°
2 Center
3 Right 45°
4 Right Side

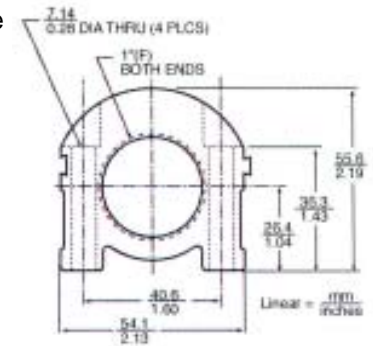


Accessories (add accessory and anodizing designators to the end of the model number as needed.

- A** Manifold only
- B** Ball Valves and Plain Flowmeters
- H** Port Quick Connect Plugs
- J** Port Hose Barbs
- X** Special (consult the factory)

Anodizing

- Y** Red
- Z** Blue



Quick delivery is standard for made-to-order manifolds. Please call for availability.

1" Manifolds							
Number of Ports	1/4" Ports			Number of Ports	3/8" Ports		
	Model Number	Length in.	Weight lbs.		Model Number	Length in.	Weight lbs.
4	SA-4-2-2	7.5	2.0	4	SA-4-3-2	9	1.4
6	SA-6-2-2	10.5	2.8	6	SA-6-3-2	13	2.0
8	SA-8-2-2	13.5	3.6	8	SA-8-3-2	17	2.6
10	SA-8-2-2	16.5	4.5	10	SA-8-2-2	16.5	4.5
12	SA-12-2-2	19.5	5.3	12	SA-12-2-2	19.5	5.3
16	SA-16-2-2	25.5	6.9	16	SA-16-2-2	25.5	6.9

For paired installation, slide manifolds together using dovetail lock along the side of each manifold.



© 2012 MOLDERS CHOICE, Inc.

24 Hour Service - 7 Days a week

1-800-809-4623

WebSite: www.molderschoice.com • Email: molders@molderschoice.com

1-1/2 SMARTFLOW ALUMINUM MANIFOLDS

Model Number

12SA - 16 - 2 - 3 - AYZ

Supply Threads

NPT
British Parallel
British Taper

12SA
12BSA
12TSA

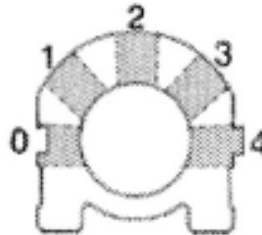
Total Number of ports **4**
 to
 16

Ports Sizes

3/8" NPT(F) **3**
3/8" BSPP(F) **3B**
3/8" BSPT(F) **3T**
1/2" NPT(F) **4**
1/2" BSPP(F) **4B**
1/2" BSPT(F) **4T**
3/4" NPT(F) **6**
3/4" BSPP(F) **6B**
3/4" BSPT(F) **6T**

Ports Locations

0 Left Side
1 Left 45°
2 Center
3 Right 45°
4 Right Side

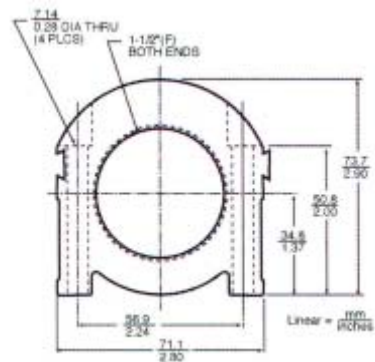


Accessories (add accessory and anodizing designators to the end of the model number as needed.

- A** Manifold only
- B** Ball Valves and Plain Flowmeters
- H** Port Quick Connect Plugs
- J** Port Hose Barbs
- X** Special (consult the factory)

Anodizing

- Y** Red
- Z** Blue



1-1/2" Manifolds					
Number of Ports	1/2" Ports				
	Model Number	Length		Weight	
		in.	mm	lbs.	kg
4	12SA-4-2-2	10	254	4.4	2.0
6	12SA-6-2-2	14	356	6.2	2.8
8	12SA-8-2-2	18	457	7.9	3.6
10	12SA-10-4-2	22	559	9.7	3.6
12	12SA-12-4-4-2	26	660	11.4	5.1
16	16SA-16-4-4-2	34	864	15.0	6.7

Quick delivery is standard for made-to-order manifolds. Please call for availability.

For paired installation, slide manifolds together using dovetail lock along the side of each manifold.



© 2012 MOLDERS CHOICE, Inc.

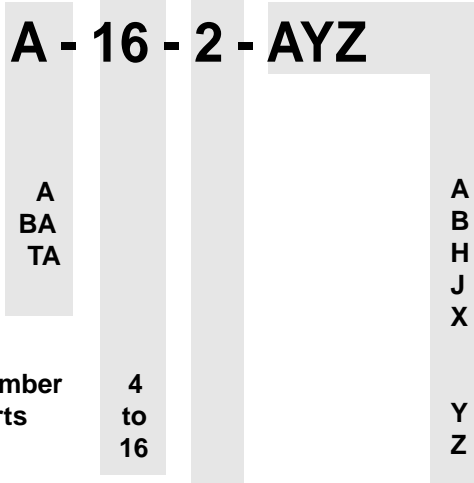
24 Hour Service - 7 Days a week

1-800-809-4623

WebSite: www.molderschoice.com • Email: molders@molderschoice.com

2" SMARTFLOW INLINE MANIFOLDS

Model Number



Supply Threads
 NPT
 British Parallel
 British Taper

Accessories (add accessory and anodizing designators to the end of the model number as needed.)

- A** Manifold only
- B** Ball Valves and Plain Flowmeters
- H** Port Quick Connect Plugs
- J** Port Hose Barbs
- X** Special (consult the factory)

Total Number of ports **4 to 16**

Anodizing
Y Red
Z Blue

Ports Sizes

1/2" BSPP(F)	4B
1/2" BSPT(F)	4T
3/4" NPT(F)	6
3/4" BSPP(F)	6B
3/4" BSPT(F)	6T
1" NPT(F)	8
1" BSPP(F)	8B
1" BSPT(F)	8T

2" Manifolds					
Number of Ports	Model Number	1/2" Ports		Weight	
		in.	mm	lbs.	kg
4	A-4-4	10	254	2.9	2.9
6	A-6-4	14	356	4.1	1.8
8	A-8-4	18	457	5.2	2.4
12	A-12-4	26	660	7.5	3.4
16	A-16-4	34	864	9.9	4.5

Quick delivery is standard for made-to-order manifolds. Please call for availability.

For paired installation, slide manifolds together using dovetail lock along the side of each manifold.

© 2009 MOLDERS CHOICE, Inc.



24 Hour Service - 7 Days a week

1-800-809-4623

WebSite: www.molderschoice.com • Email: modlers@molderschoice.com

3/4" DUOFLOW ALUMINUM MANIFOLDS

Model Number

6SA - 16 - 2 - 13 - AYZ

Supply Threads

NPT
British Parallel
British Taper

6SA
6BSA
6TSA

Total Number of ports

4 to 16

Ports Sizes

1/4" NPT(F)
1/4" BSPP(F)
1/4" BSPT(F)

2
2B
2T

13
024

Accessories

A Manifold only
H Port Quick Connect Plugs
J Port Hose Barbs
Quick connect plugs and hose barbs are sized to match the ports. Contact factory if different sizes or options recommended.

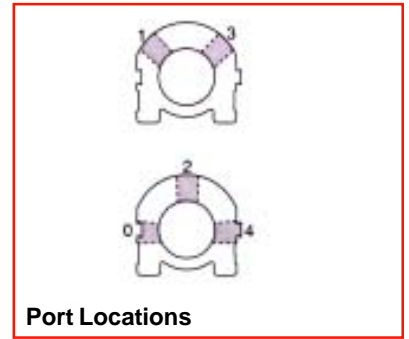
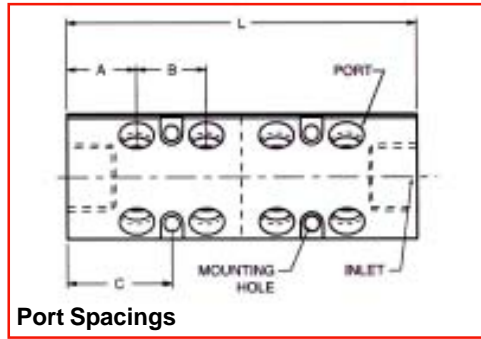
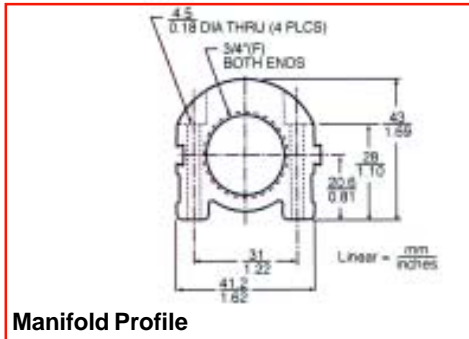
Anodizing

Y Red
Z Blue

Ports Locations

Left & Right 45°
Left, Center & Right

NOTE: For 3/4" and 1" Manifolds, use port location 1 & 3 or 0, 2, & 4 in combination for proper port spacing. See diagram below.



Stocked 3/4" NPT Manifolds										
Model	Port Size	Total Ports	Ports Per End	A	B	C	Length L		Weight	
							mm	in.	kg	lbs.
6SDA-8-2-13-AYZ	1/4"	8	4	25.4mm	25.4mm	38mm	127	5	.3	.75
6SDA-8-2-13-AYZ	NPT	12	6	1"	1"	1.5"	178	7	.5	1.1
6SDA-8-2-13-AYZ		16	8				229	9	.6	1.4

© 2012 MOLDERS CHOICE, Inc.



24 Hour Service - 7 Days a week

1-800-809-4623

WebSite: www.molderschoice.com • Email: molders@molderschoice.com

1" DUOFLOW ALUMINUM MANIFOLDS

8SDA - 16 - 2 - 13 - A YZ

1" Manifolds					
# of Parts	1/4" Ports				
	Model#	Length		Weight	
		in.	mm	lbs.	kg
4	8SA-4-2-2	7.5	190	1.1	0.5
6	8SA-6-2-2	10.5	267	1.6	0.7
8	8SA-8-2-2	13.5	343	2.0	0.9
10	8SA-10-2-2	16.5	419	4.5	2.0
12	8SA-12-2-2	19.5	498	5.3	2.4
16	8SA-16-2-2	25.5	648	6.9	3.1

# of Ports	3/8" Ports				
	Model#	Length		Weight	
		in.	mm	lbs.	kg
4	8SA-4-3-2	9	229	1.4	0.6
6	8SA-6-3-2	13	330	2.0	0.9
8	8SA-8-3-2	17	432	2.6	1.2
10	8SA10-3-2	21	533	5.7	2.6
12	8SA12-3-3	25	635	6.8	3.1
16	8SA16-3-6	33	838	8.9	4.0

Supply Threads
 NPT
 British Parallel
 British Taper

8SDA
8BSDA
8TSDA

Accessories

A Manifold only
H Port Quick Connect Plugs
J Port Hose Barbs
 Quick connect plugs and hose barbs are sized to match the ports. Contact factory if different sizes or options are required. Ball valves are not recommended.

Total Number of ports 4 to 16

Ports Sizes
 1/2" NPT(F)
 1/4" BSPP(F)
 1/4" BSPT(F)

2
2B
2T

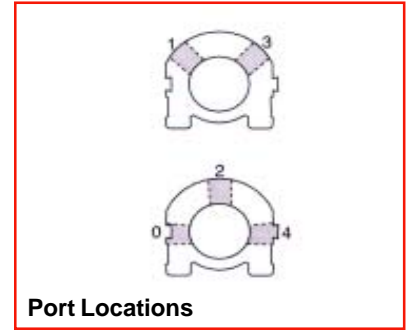
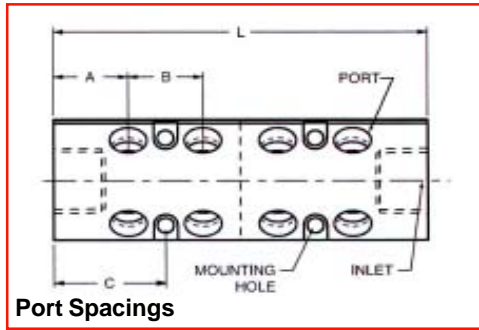
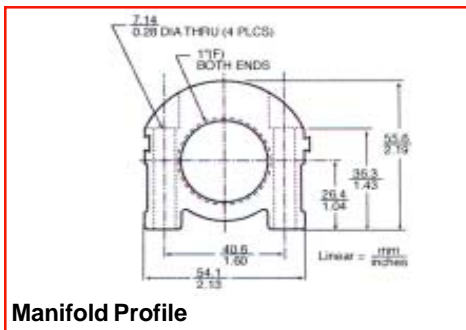
Ports

Locations
 Left & Right 45°
 Left, Center & Right

NOTE: For 3/4" and 1" Manifolds, use port locations 1 & 3 or 0, 2, & 4 in combination for proper port spacing. See diagram below.

Model#	Color	Inlet/Outlet NPT	Port NPT	# of Ports	Price
Single Manifolds					
8SA-4-2-2-AY	Red	1"	1/4"	4	\$ 60.00
8SA-4-2-2-AZ	Blue	1"	1/4"	4	\$ 60.00
8SA-6-2-2-AY	Red	1"	1/4"	6	\$ 75.00
8SA-6-2-2-AZ	Blue	1"	1/4"	6	\$ 75.00
8SA-8-3-2-AY	Red	1"	1/4"	8	\$ 90.00
8SA-8-3-2-AZ	Blue	1"	1/4"	8	\$ 90.00
8SA-10-2-2-AY	Red	1"	1/4"	10	\$105.00
8SA-10-2-2-AZ	Blue	1"	1/4"	10	\$105.00
8SA-12-2-2-AY	Red	1"	1/4"	12	\$120.00
8SA-12-2-2-AZ	Blue	1"	1/4"	12	\$120.00
8SA-16-2-2-AY	Red	1"	1/4"	16	\$180.00
8SA-16-2-2-AZ	Blue	1"	1/4"	16	\$180.00

Model#	Color	Inlet/Outlet NPT	Port NPT	# of PORT	Price
Single Manifolds					
8SA-4-3-2-AY	Red	1"	3/8"	4	\$ 66.00
8SA-4-3-2-AZ	Blue	1"	3/8"	4	\$ 66.00
8SA-6-3-2-AY	Red	1"	3/8"	6	\$ 84.00
8SA-6-2-2-AY	Red	1"	3/8"	4	\$ 84.00
8SA-8-2-2-AZ	Blue	1"	3/8"	4	\$102.00
8SA-8-3-2-AZ	Blue	1"	3/8"	6	\$102.00
8SA-10-3-2-AY	Red	1"	3/8"	8	\$120.00
8SA-10-3-2-AZ	Blue	1"	3/8"	8	\$120.00
8SA-12-3-2-AY	Red	1"	3/8"	10	\$138.00
8SA-12-3-2-AZ	Blue	1"	3/8"	10	\$138.00
8SA-16-3-2-AY	Red	1"	3/8"	12	\$174.00
8SA-16-3-2-AZ	Blue	1"	3/8"	12	\$174.00



Stocked 1" NPT Manifolds								
Model	Port Size	Total Ports	Ports Per End	A	B	C	Length L	Weight
							mm	kg
8SDA-8-2-13AYZ	3/8"	8	4	32mm	32mm	47.6mm	159	.8
8SDA-8-2-13AYZ	NPT	12	6	1.25"	1.25"	1.88"	222	1.1
8SDA-8-2-13 AYZ		16	8				286	1.4
							in.	lbs.
							6.3	1.7
							8.8	2.7
							11.3	3.1

© 2012 MOLDERS CHOICE, Inc.



24 Hour Service - 7 Days a week
1-800-809-4623
 WebSite: www.molderschoice.com • Email: molders@molderschoice.com

1-1/2" DUOFLOW ALUMINUM MANIFOLDS

1-1/2" Manifolds					
# of Parts	Model#	1/4" Ports		Weight	
		Length		lbs.	kg
		in.	mm		
4	12SA-4-4-2	10	254	4.4	2.0
6	12SA-6-4-2	14	356	6.2	2.8
8	12SA-8-4-2	18	457	7.9	3.6
10	12A-10-4-2	22	559	9.7	4.4
12	12SA-12-4-2	26	660	11.4	5.1
16	12SA-16-4-2	34	15.0	6.7	

12SDA - 16 - 2 - 13 - A YZ

Supply Threads
 NPT
 British Parallel
 British Taper

12SDA
12BSDA
12TSDA

Total Number of ports
 4 to 16

Accessories

A Manifold only
H Port Quick Connect Plugs
J Port Hose Barbs
 Quick connect plugs and hose barbs are sized to match the ports. Contact factory if different sizes or options are required. Ball valves are not recommended.

Ports Locations

0 Left Side
1 Left 45°
2 Center
3 Right 45°
4 Right Side

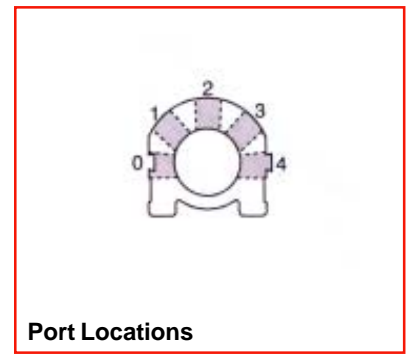
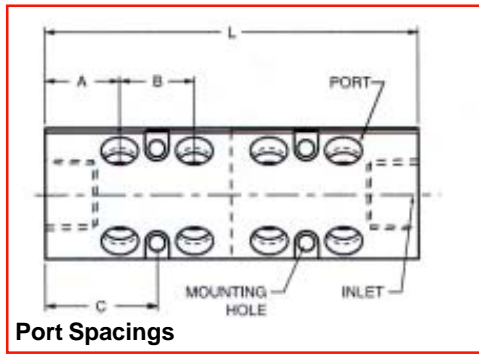
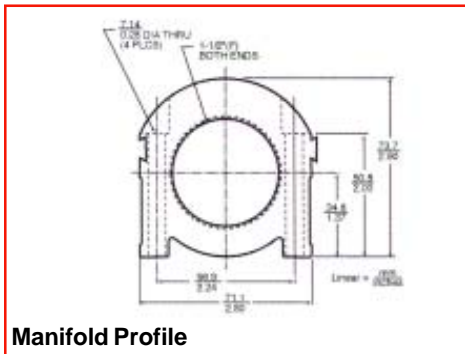
Ports Sizes
 1/2" NPT(F)
 1/4" BSPP(F)
 1/4" BSPT(F)

4
4B
4T

NOTE: For 3/4" and 1" Manifolds, use port location for proper port spacing. See diagram below.

Model#	Color	Inlet/Outlet NPT	Port NPT	# of Ports	Price
Single Manifolds					
12SA-4-4-2-AY	Red	1-1/2"	1/2"	4	\$ 96.00
12SA-4-4-2-AZ	Blue	1-1/2"	1/2"	4	\$ 96.00
12SA-6-4-2-AY	Red	1-1/2"	1/2"	6	\$124.00
12SA-6-4-2-AZ	Blue	1-1/2"	1/2"	6	\$124.00
12SA-8-4-2-AY	Red	1-1/2"	1/2"	8	\$152.00
12SA-8-4-2-AZ	Blue	1-1/2"	1/2"	8	\$152.00

Model#	Color	Inlet/Outlet NPT	Port NPT	# of Ports	Price
Single Manifolds					
12SA-10-4-2-AY	Red	1-1/2"	1/2"	10	\$180.00
12SA-10-4-2-AZ	Blue	1-1/2"	1/2"	10	\$180.00
12SA-12-4-2-AY	Red	1-1/2"	1/2"	12	\$208.00
12SA-12-4-2-AZ	Blue	1-1/2"	1/2"	12	\$208.00
12SA-16-4-2-AY	Red	1-1/2"	1/2"	16	\$264.00
12SA-16-4-2-AZ	Blue	1-1/2"	1/2"	16	\$264.00



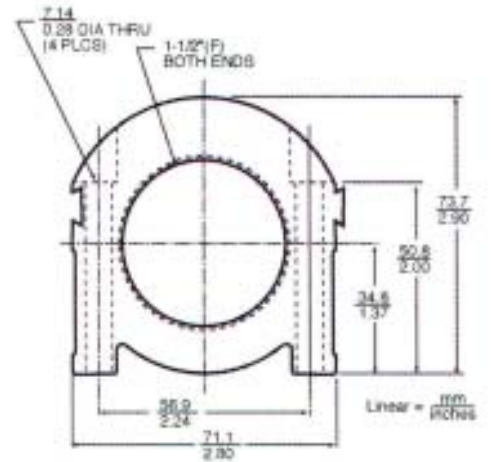
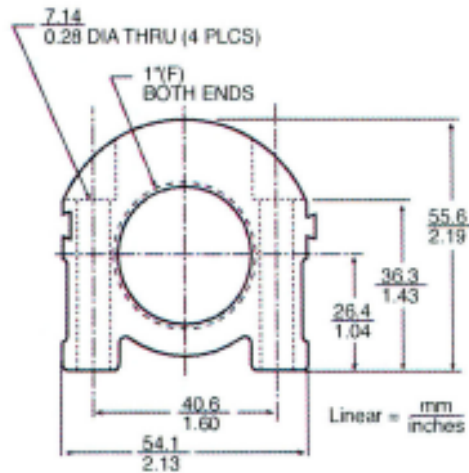
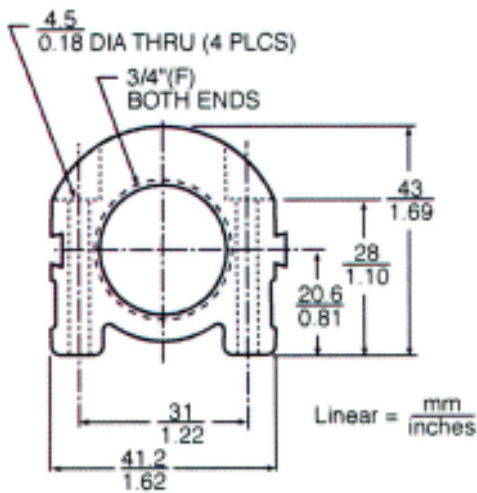
Stocked 1-1/2" NPT Manifolds										
Model	Port Size	Total Ports	Ports Per End	A	B	C	Length L		Weight	
							mm	in.	kg	lbs.
12SDA-8-4-13AYZ	1/2"	8	4	44.5mm	38mm	63.5mm	203	8	1.6	3.5
12SDA-8-4-13AYZ	NPT	12	6	1.75"	1.5"	2.5"	279	11	2.2	4.9
12SDA-8-4-13AYZ		16	8				356	14	2.8	6.2

©2012 MOLDERS CHOICE, Inc.



24 Hour Service - 7 Days a week
1-800-809-4623
 WebSite: www.molderschoice.com • Email: molders@molderschoice.com

2" DUOFLOW ALUMINUM MANIFOLDS



Dimension Chart (inches/mm)				
MANIFOLD SIZE	PORT SIZE	A	B	C
3/4" & 1"	1/8"	1.5" 38.1mm	1.0" 25.4mm	2.0" 50.8mm
	1/4"		1.5" 38.1mm	2.25" 57.2mm
	3/8"		2.0" 50.8mm	2.5" 63.5mm
	1/2"		2.0" 50.8mm	3.0" 76.2mm
1-1/2"	1/4"	1.5" 38.1mm	1.5" 38.1mm	2.5" 63.5mm
	3/8"		2.0" 50.8mm	2.5" 63.5mm
	1/2"	2.0" 50.8mm	2.0" 50.8mm	3.0" 76.2mm
	3/4"		3.0" 76.2mm	3.0" 76.2mm
2"	1/2"	2.0" 50.8mm	76.20mm	76.2mm
	3/4"		2.0" 50.8mm	3.5" 88.9mm
	1"		3.0" 76.2mm	1.0" 25.4mm

© 2009 MOLDERS CHOICE, Inc.



24 Hour Service - 7 Days a week
1-800-809-4623
 WebSite: www.molderschoice.com • Email: molders@molderschoice.com