

# 3/4 SMARTFLOW ALUMINUM MANIFOLDS

Model Number

## 6SA - 16 - 2 - 3 - AYZ

**Supply Threads**

NPT  
British Parallel  
British Taper

6SA  
6BSA  
6TSA

**Total Number of ports** 4 to 16

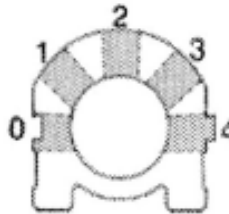
**Ports Sizes**

1/4" NPT(F)  
1/4" BSPP(F)  
1/4" BSPT(F)  
3/8" NPT(F)  
3/8" BSPP(F)  
3/8" BSPT(F)

2  
2B  
2T  
3  
3B  
3T

**Ports Locations**

0 Left Side  
1 Left 45°  
2 Center  
3 Right 45°  
4 Right Side

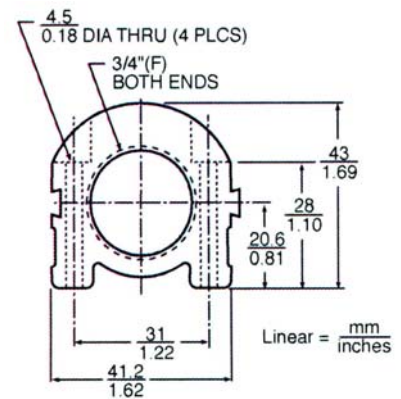


**Accessories** (add accessory and anodizing designators to the end of the model number as needed.

- A Manifold only
- B Ball Valves and Plain Flowmeters
- H Port Quick Connect Plugs
- J Port Hose Barbs
- X Special (consult the factory)

**Anodizing**

- Y Red
- Z Blue



Quick delivery is standard for made-to-order manifolds. Please call for availability.

3/4" Manifolds											
Number of Ports	1/4" Ports			Number of Ports	3/8" Ports						
	Model Number	Length in.	Length mm	Weight lbs.	Weight kg	Model Number	Length in.	Length mm	Weight lbs.	Weight kg	
4	6SA-4-2-2	7.5	190	1.1	0.5	4	6SA-4-3-2	9	229	1.4	0.6
6	6SA-6-2-2	10.5	267	1.6	0.7	6	6SA-6-3-2	13	330	2.0	0.9
8	6SA-8-2-2	13.5	343	2.0	0.9	8	6SA-8-3-2	17	432	2.6	1.2

For paired installation, slide manifolds together using dovetail lock along the side of each manifold.

©2012 MOLDERS CHOICE, Inc.



**24 Hour Service - 7 Days a week**  
**1-800-809-4623**  
 WebSite: [www.molderschoice.com](http://www.molderschoice.com) • Email: [molders@molderschoice.com](mailto:molders@molderschoice.com)

# 1" SMARTFLOW ALUMINUM MANIFOLDS

Model Number

## SA - 16 - 2 - 3 - AYZ

**Supply Threads**

NPT  
British Parallel  
British Taper

**SA**  
**BSA**  
**TSA**

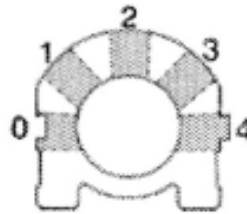
**Total Number of ports**      **4 to 16**

**Ports Sizes**

1/4" NPT(F)	<b>2</b>
1/4" BSPP(F)	<b>2B</b>
1/4" BSPT(F)	<b>2T</b>
3/8" NPT(F)	<b>3</b>
3/8" BSPP(F)	<b>3B</b>
3/8" BSPT(F)	<b>3T</b>
1/2" NPT(F)	<b>4</b>
1/2" BSPP(F)	<b>4B</b>
1/2" BSPT(F)	<b>4T</b>

**Ports Locations**

<b>0</b>	Left Side
<b>1</b>	Left 45°
<b>2</b>	Center
<b>3</b>	Right 45°
<b>4</b>	Right Side

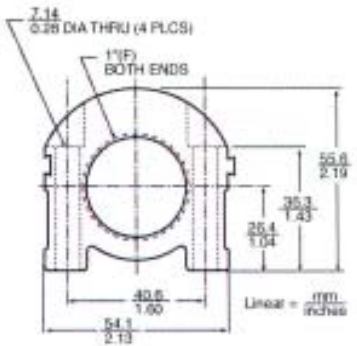


**Accessories** (add accessory and anodizing designators to the end of the model number as needed.

**A** Manifold only  
**B** Ball Valves and Plain Flowmeters  
**H** Port Quick Connect Plugs  
**J** Port Hose Barbs  
**X** Special (consult the factory)

**Anodizing**

**Y** Red  
**Z** Blue



Quick delivery is standard for made-to-order manifolds. Please call for availability.

1" Manifolds									
Number of Ports	1/4" Ports				Number of Ports	3/8" Ports			
	Model Number	Length in.	Length mm	Weight lbs. kg		Model Number	Length in.	Length mm	Weight lbs. kg
4	SA-4-2-2	7.5	190	2.0 0.9	4	SA-4-3-2	9	229	1.4 0.6
6	SA-6-2-2	10.5	267	2.8 1.3	6	SA-6-3-2	13	330	2.0 0.9
8	SA-8-2-2	13.5	343	3.6 1.6	8	SA-8-3-2	17	432	2.6 1.2
10	SA-8-2-2	16.5	419	4.5 2.0	10	SA-8-2-2	16.5	419	4.5 2.0
12	SA-12-2-2	19.5	495	5.3 2.4	12	SA-12-2-2	19.5	495	5.3 2.4
16	SA-16-2-2	25.5	648	6.9 3.1	16	SA-16-2-2	25.5	648	6.9 3.1

For paired installation, slide manifolds together using dovetail lock along the side of each manifold.



© 2012 MOLDERS CHOICE, Inc.

**24 Hour Service - 7 Days a week**

# 1-800-809-4623

WebSite: [www.molderschoice.com](http://www.molderschoice.com) • Email: [molders@molderschoice.com](mailto:molders@molderschoice.com)



# 2" SMARTFLOW INLINE MANIFOLDS

Model Number

A - 16 - 2 - AYZ

**Supply Threads**  
 NPT  
 British Parallel  
 British Taper

**Total Number of ports**

**Ports Sizes**

**A**  
**BA**  
**TA**

**4**  
**to**  
**16**

**1/2" BSPP(F)** **4B**  
**1/2" BSPT(F)** **4T**  
**3/4" NPT(F)** **6**  
**3/4" BSPP(F)** **6B**  
**3/4" BSPT(F)** **6T**  
**1" NPT(F)** **8**  
**1" BSPP(F)** **8B**  
**1" BSPT(F)** **8T**

**Accessories** (add accessory and anodizing designators to the end of the model number as needed.)

**A** Manifold only  
**B** Ball Valves and Plain Flowmeters  
**H** Port Quick Connect Plugs  
**J** Port Hose Barbs  
**X** Special (consult the factory)

**Anodizing**

**Y** Red  
**Z** Blue

2" Manifolds					
Number of Ports	Model Number	1/2" Ports		Weight	
		in.	mm	lbs.	kg
4	A-4-4	10	254	2.9	2.9
6	A-6-4	14	356	4.1	1.8
8	A-8-4	18	457	5.2	2.4
12	A-12-4	26	660	7.5	3.4
16	A-16-4	34	864	9.9	4.5

Quick delivery is standard for made-to-order manifolds. Please call for availability.

For paired installation, slide manifolds together using dovetail lock along the side of each manifold.

© 2009 MOLDERS CHOICE, Inc.



24 Hour Service - 7 Days a week

## 1-800-809-4623

WebSite: [www.molderschoice.com](http://www.molderschoice.com) • Email: [molers@molderschoice.com](mailto:molers@molderschoice.com)

# 3/4" DUOFLOW ALUMINUM MANIFOLDS

Model Number

## 6SA - 16 - 2 - 13 - A YZ

**Supply Threads**

NPT  
British Parallel  
British Taper

**6SA**  
**6BSA**  
**6TSA**

**Total Number of ports**

**4 to 16**

**Ports Sizes**

1/4" NPT(F)  
1/4" BSPP(F)  
1/4" BSPT(F)

**2**  
**2B**  
**2T**

**13**  
**024**

**Accessories**

- A** Manifold only
- H** Port Quick Connect Plugs
- J** Port Hose Barbs

Quick connect plugs and hose barbs are sized to match the ports. Contact factory if different sizes or options recommended.

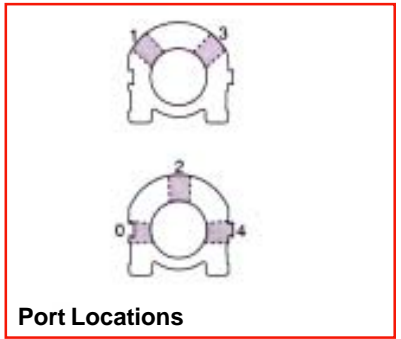
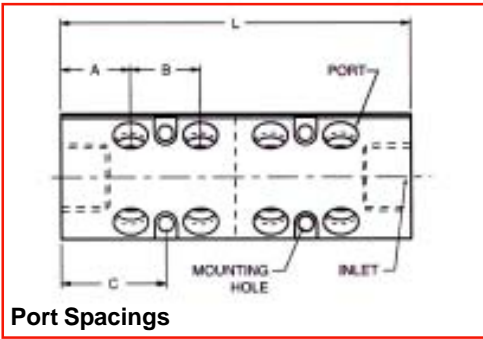
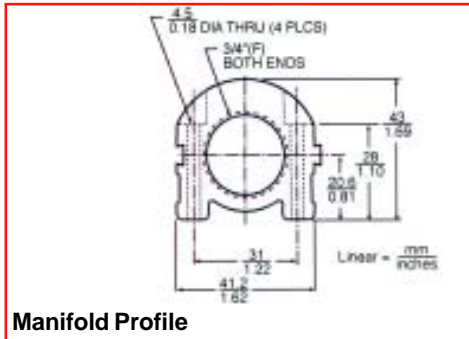
**Anodizing**

- Y** Red
- Z** Blue

**Ports Locations**

Left & Right 45°  
Left, Center & Right

**NOTE:** For 3/4" and 1" Manifolds, use port location 1 & 3 or 0, 2, & 4 in combination for proper port spacing. See diagram below.



Stocked 3/4" NPT Manifolds										
Model	Port Size	Total Ports	Ports Per End	A	B	C	Length L		Weight	
							mm	in.	kg	lbs.
6SDA-8-2-13-AYZ	1/4"	8	4	25.4mm	25.4mm	38mm	127	5	.3	.75
6SDA-8-2-13-AYZ	NPT	12	6	1"	1"	1.5"	178	7	.5	1.1
6SDA-8-2-13-AYZ		16	8				229	9	.6	1.4

© 2012 MOLDERS CHOICE, Inc.



24 Hour Service - 7 Days a week

## 1-800-809-4623

WebSite: [www.molderschoice.com](http://www.molderschoice.com) • Email: [modlers@molderschoice.com](mailto:modlers@molderschoice.com)

# 1" DUOFLOW ALUMINUM MANIFOLDS

## 8SDA - 16 - 2 - 13 - A YZ

1" Manifolds					
# of Parts	1/4" Ports				
	Model#	Length		Weight	
		in.	mm	lbs.	kg
4	8SA-4-2-2	7.5	190	1.1	0.5
6	8SA-6-2-2	10.5	267	1.6	0.7
8	8SA-8-2-2	13.5	343	2.0	0.9
10	8SA-10-2-2	16.5	419	4.5	2.0
12	8SA-12-2-2	19.5	498	5.3	2.4
16	8SA-16-2-2	25.5	648	6.9	3.1

# of Ports	3/8" Ports				
	Model#	Length		Weight	
		in.	mm	lbs.	kg
4	8SA-4-3-2	9	229	1.4	0.6
6	8SA-6-3-2	13	330	2.0	0.9
8	8SA-8-3-2	17	432	2.6	1.2
10	8SA10-3-2	21	533	5.7	2.6
12	8SA12-3-3	25	635	6.8	3.1
16	8SA16-3-6	33	838	8.9	4.0

**Supply Threads**  
 NPT  
 British Parallel  
 British Taper

**8SDA**  
**8BSDA**  
**8TSDA**

**Accessories**

- A** Manifold only
  - H** Port Quick Connect Plugs
  - J** Port Hose Barbs
- Quick connect plugs and hose barbs are sized to match the ports. Contact factory if different sizes or options are required. Ball valves are not recommended.

**Ports**

**Locations**  
 Left & Right 45°  
 Left, Center & Right

**NOTE:** For 3/4" and 1" Manifolds, use port locations 1 & 3 or 0, 2, & 4 in combination for proper port spacing. See diagram below.

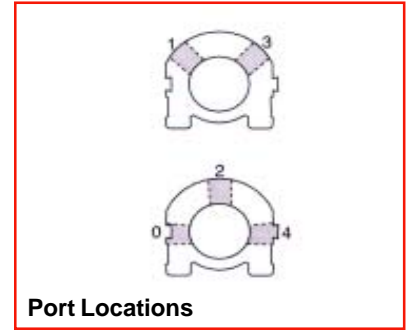
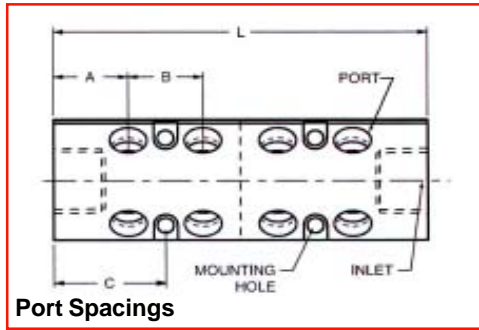
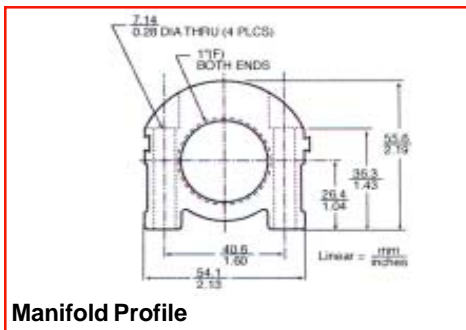
**Total Number of ports** 4 to 16

**Ports Sizes**  
 1/2" NPT(F)  
 1/4" BSPP(F)  
 1/4" BSPT(F)

2  
**2B**  
**2T**

Model#	Color	Inlet/Outlet NPT	Port NPT	# of Ports	Price
<b>Single Manifolds</b>					
8SA-4-2-2-AY	Red	1"	1/4"	4	\$ 60.00
8SA-4-2-2-AZ	Blue	1"	1/4"	4	\$ 60.00
8SA-6-2-2-AY	Red	1"	1/4"	6	\$ 75.00
8SA-6-2-2-AZ	Blue	1"	1/4"	6	\$ 75.00
8SA-8-3-2-AY	Red	1"	1/4"	8	\$ 90.00
8SA-8-3-2-AZ	Blue	1"	1/4"	8	\$ 90.00
8SA-10-2-2-AY	Red	1"	1/4"	10	\$105.00
8SA-10-2-2-AZ	Blue	1"	1/4"	10	\$105.00
8SA-12-2-2-AY	Red	1"	1/4"	12	\$120.00
8SA-12-2-2-AZ	Blue	1"	1/4"	12	\$120.00
8SA-16-2-2-AY	Red	1"	1/4"	16	\$180.00
8SA-16-2-2-AZ	Blue	1"	1/4"	16	\$180.00

Model#	Color	Inlet/Outlet NPT	Port NPT	# of PORT	Price
<b>Single Manifolds</b>					
8SA-4-3-2-AY	Red	1"	3/8"	4	\$ 66.00
8SA-4-3-2-AZ	Blue	1"	3/8"	4	\$ 66.00
8SA-6-3-2-AY	Red	1"	3/8"	6	\$ 84.00
8SA-6-2-2-AY	Red	1"	3/8"	4	\$ 84.00
8SA-8-2-2-AZ	Blue	1"	3/8"	4	\$102.00
8SA-8-3-2-AZ	Blue	1"	3/8"	6	\$102.00
8SA-10-3-2-AY	Red	1"	3/8"	8	\$120.00
8SA-10-3-2-AZ	Blue	1"	3/8"	8	\$120.00
8SA-12-3-2-AY	Red	1"	3/8"	10	\$138.00
8SA-12-3-2-AZ	Blue	1"	3/8"	10	\$138.00
8SA-16-3-2-AY	Red	1"	3/8"	12	\$174.00
8SA-16-3-2-AZ	Blue	1"	3/8"	12	\$174.00



Stocked 1" NPT Manifolds										
Model	Port Size	Total Ports	Ports Per End	A	B	C	Length L		Weight	
							mm	in.	kg	lbs.
8SDA-8-2-13AYZ	3/8"	8	4	32mm	32mm	47.6mm	159	6.3	.8	1.7
8SDA-8-2-13AYZ	NPT	12	6	1.25"	1.25"	1.88"	222	8.8	1.1	2.7
8SDA-8-2-13 AYZ		16	8				286	11.3	1.4	3.1

© 2012 MOLDERS CHOICE, Inc.



**24 Hour Service - 7 Days a week**  
**1-800-809-4623**  
 WebSite: [www.molderschoice.com](http://www.molderschoice.com) • Email: [modlers@molderschoice.com](mailto:modlers@molderschoice.com)

# 1-1/2" DUOFLOW ALUMINUM MANIFOLDS

1-1/2" Manifolds					
# of Parts	Model#	1/4" Ports		Weight	
		Length		lbs.	kg
4	12SA-4-4-2	10	254	4.4	2.0
6	12SA-6-4-2	14	356	6.2	2.8
8	12SA-8-4-2	18	457	7.9	3.6
10	12A-10-4-2	22	559	9.7	4.4
12	12SA-12-4-2	26	660	11.4	5.1
16	12SA-16-4-2	34	864	15.0	6.7

**12SDA - 16 - 2 - 13 - A YZ**

**Supply Threads**  
 NPT  
 British Parallel  
 British Taper

**12SDA**  
**12BSDA**  
**12TSDA**

**Total Number of ports** 4 to 16

**Accessories**

**A** Manifold only  
**H** Port Quick Connect Plugs  
**J** Port Hose Barbs  
 Quick connect plugs and hose barbs are sized to match the ports. Contact factory if different sizes or options are required. Ball valves are not recommended.

**Ports Locations**

**0** Left Side  
**1** Left 45°  
**2** Center  
**3** Right 45°  
**4** Right Side

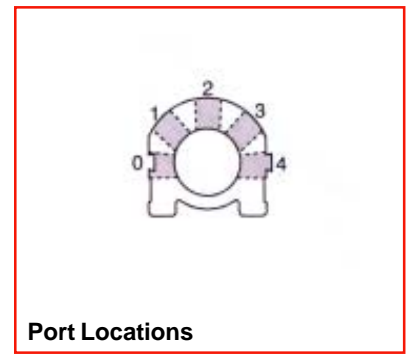
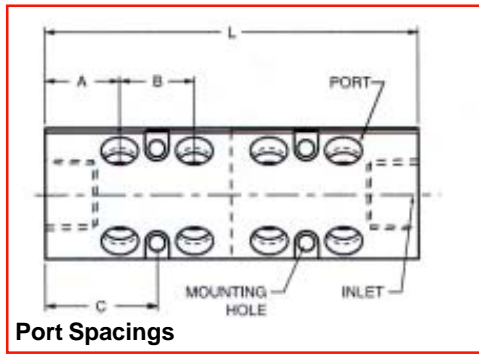
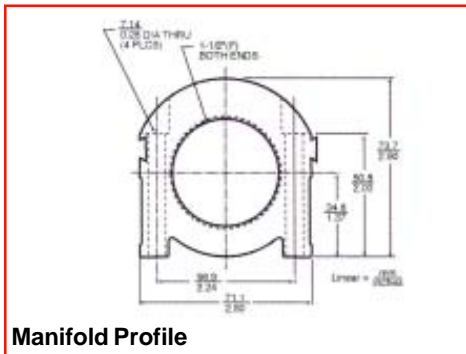
**Ports Sizes**  
 1/2" NPT(F)  
 1/4" BSPP(F)  
 1/4" BSPT(F)

**4**  
**4B**  
**4T**

**NOTE:** For 3/4" and 1" Manifolds, use port location for proper port spacing. See diagram below.

Model#	Color	Inlet/Outlet NPT	Port NPT	# of Ports	Price
<b>Single Manifolds</b>					
12SA-4-4-2-AY	Red	1-1/2"	1/2"	4	\$ 96.00
12SA-4-4-2-AZ	Blue	1-1/2"	1/2"	4	\$ 96.00
12SA-6-4-2-AY	Red	1-1/2"	1/2"	6	\$124.00
12SA-6-4-2-AZ	Blue	1-1/2"	1/2"	6	\$124.00
12SA-8-4-2-AY	Red	1-1/2"	1/2"	8	\$152.00
12SA-8-4-2-AZ	Blue	1-1/2"	1/2"	8	\$152.00

Model#	Color	Inlet/Outlet NPT	Port NPT	# of Ports	Price
<b>Single Manifolds</b>					
12SA-10-4-2-AY	Red	1-1/2"	1/2"	10	\$180.00
12SA-10-4-2-AZ	Blue	1-1/2"	1/2"	10	\$180.00
12SA-12-4-2-AY	Red	1-1/2"	1/2"	12	\$208.00
12SA-12-4-2-AZ	Blue	1-1/2"	1/2"	12	\$208.00
12SA-16-4-2-AY	Red	1-1/2"	1/2"	16	\$264.00
12SA-16-4-2-AZ	Blue	1-1/2"	1/2"	16	\$264.00



Stocked 1-1/2" NPT Manifolds										
Model	Port Size	Total Ports	Ports Per End	A	B	C	Length L		Weight	
							mm	in.	kg	lbs.
12SDA-8-4-13AYZ	1/2"	8	4	44.5mm	38mm	63.5mm	203	8	1.6	3.5
12SDA-8-4-13AYZ	NPT	12	6	1.75"	1.5"	2.5"	279	11	2.2	4.9
12SDA-8-4-13AYZ		16	8				356	14	2.8	6.2

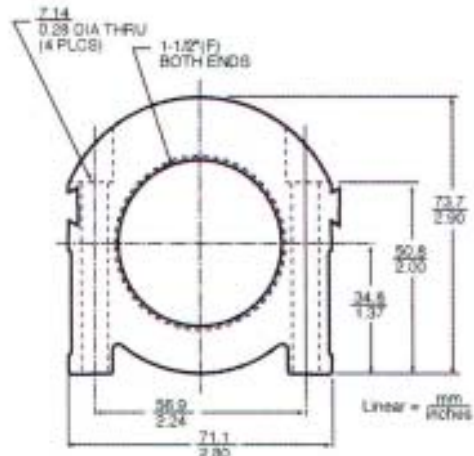
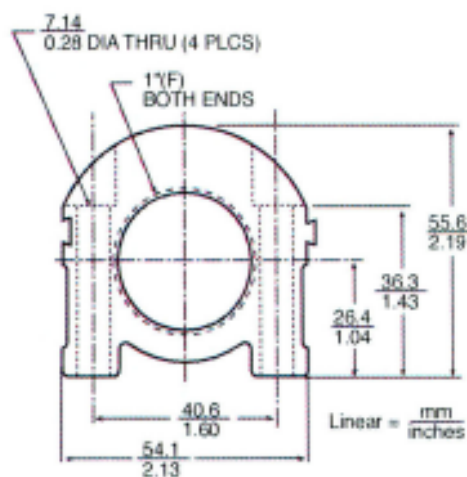
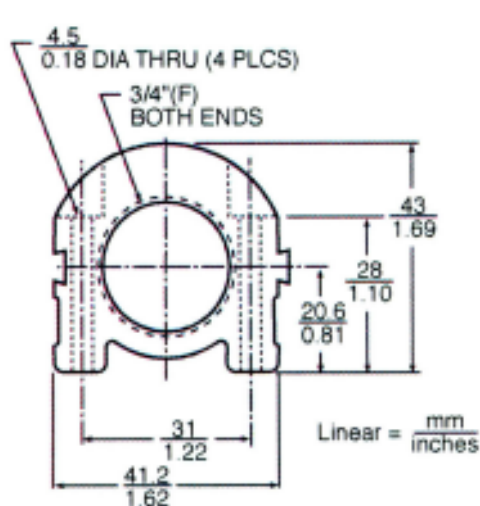
©2012 MOLDERS CHOICE, Inc.



**24 Hour Service - 7 Days a week**  
**1-800-809-4623**  
 WebSite: [www.molderschoice.com](http://www.molderschoice.com) • Email: [molders@molderschoice.com](mailto:molders@molderschoice.com)



# 2" DUOFLOW ALUMINUM MANIFOLDS



Dimension Chart (inches/mm)

MANIFOLD SIZE	PORT SIZE	A	B	C
3/4" & 1"	1/8"	1.5" 38.1mm	1.0" 25.4mm	2.0" 50.8mm
	1/4"		1.5" 38.1mm	2.25" 57.2mm
	3/8"		2.0" 50.8mm	2.5" 63.5mm
	1/2"		2.0" 50.8mm	3.0" 76.2mm
1-1/2"	1/4"	2.0 50.8mm	1.5" 38.1mm	2.5" 63.5mm
	3/8"		2.0" 50.8mm	3.0" 76.2mm
	1/2"		2.0" 50.8mm	3.0" 76.2mm
	3/4"		2.0" 50.8mm	3.0" 76.2mm
2"	1/2"	2.0" 50.8mm	76.20mm	76.2mm
	3/4"		2.0" 50.8mm	3.5" 88.9mm
	1"		3.0" 76.2mm	1.0" 25.4mm

© 2009 MOLDERS CHOICE, Inc.



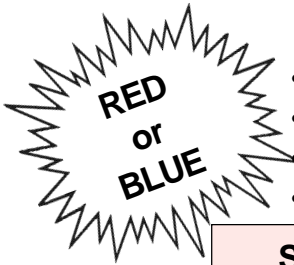
**24 Hour Service - 7 Days a week**  
**1-800-809-4623**  
 WebSite: [www.molderschoice.com](http://www.molderschoice.com) • Email: [molders@molderschoice.com](mailto:molders@molderschoice.com)



# STEEL WATER MANIFOLDS

*The only steel manifolds color coded for hot and cold plumbing*

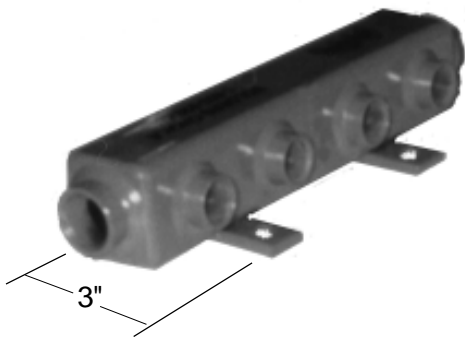
## LOW COST - ECONOMY MODELS



- High quality, robotically welded steel
- Pressure tested by Air @100 psi
- High visibility Red or Blue
- Compact mounting

- 2 Styles available: Straight or Split
- 2" x 2" Steel tubing
- 3/4" NPT Inlet/Outlet main supply
- 1/2" NPT Inlet/Outlet mold supply ports (2-1/2" between centers)

### Straight Through



4 Port

Part # **ST4**  
**\$50.00**

OAL: 14"

Add "B" (Blue) or  
"R" (Red)  
after part number

### Split In/Out

RED and BLUE

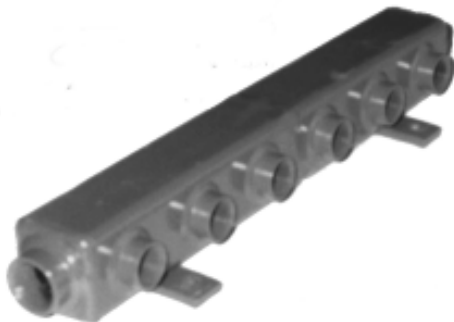


4 Port

(2 in - 2 out)

Part # **SP422**  
**\$65.00**

OAL: 14"



6 Port

Part # **ST6**  
**\$60.00**

OAL: 20"

Add "B" (Blue) or  
"R" (Red)  
after part number



6 Port

(3 in - 3 out)

Part # **SP633**  
**\$75.00**

OAL: 20"



8 Port

Part # **ST8**  
**\$75.00**

OAL: 26"

Add "B" (Blue) or  
"R" (Red)  
after part number



8 Port

(4 in - 4 out)

Part # **SPL844**  
**\$108.00**

OAL: 26"

© 2014 MOLDERS CHOICE, Inc.



24 Hour Service - 7 Days a week  
**1-800-809-4623**  
WebSite: [www.molderschoice.com](http://www.molderschoice.com) • Email: [molders@molderschoice.com](mailto:molders@molderschoice.com)