

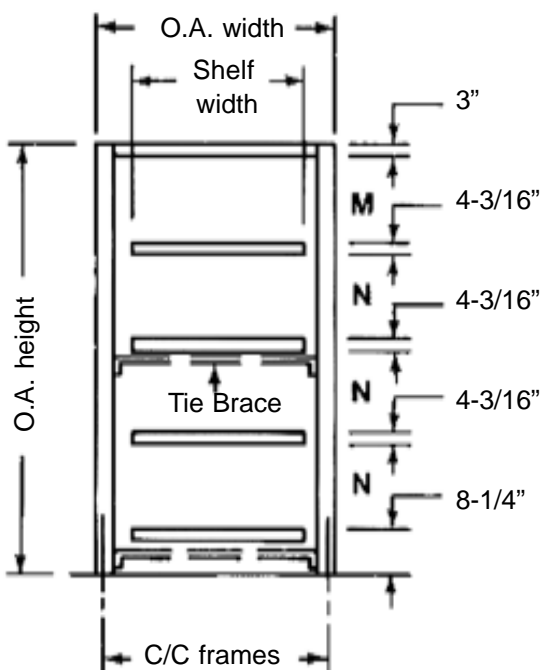
MOLD STORAGE RACKS

Chart gives shelf clearance for units with equally spaced shelves.

Note: Some clearance at top may be less than or greater than other shelf spacings. See M dimension.

Note: Tie brace at center of 8', 9' and 10' high units uses 3-1/4" of available shelf clearance. Shading indicates standard number of shelves.

Model Number	O.A. Height	Shelf Clear.	Number of roll-out Shelves								
			1	2	3	4	5	6	7	8	9
EUS-060	60-1/4"	M	49 3/16"	23 3/16"	13 13/16"	7 3/16"	9 3/16"	9 3/16"	-	-	-
		N	-	21 13/16"	13 13/16"	9 13/16"	5 13/16"	3 13/16"	-	-	-
EUS-072	72-1/4"	M	61 3/16"	29 3/16"	17 3/16"	13 3/16"	5 3/16"	11 3/16"	13 3/16"	5 3/16"	-
		N	-	27 13/16"	17 13/16"	11 13/16"	9 13/16"	5 13/16"	3 13/16"	3 3/16"	-
EUS-084	84-1/4"	M	73 3/16"	35 3/16"	21 3/16"	13 3/16"	9 3/16"	13 3/16"	13 3/16"	3 3/16"	9 3/16"
		N	-	33 13/16"	21 13/16"	15 13/16"	11 13/16"	7 13/16"	5 13/16"	5 13/16"	3 13/16"
EUS-096	96-1/4"	M	85 3/16"	41 3/16"	25 3/16"	19 3/16"	13 3/16"	5 3/16"	13 3/16"	15 13/16"	5 3/16"
		N	-	39 13/16"	25 13/16"	17 13/16"	13 13/16"	11 13/16"	7 13/16"	5 3/16"	5 13/16"
EUS-108	108-1/4"	M	97 3/16"	47 3/16"	29 3/16"	19 3/16"	17 3/16"	7 3/16"	13 3/16"	13 3/16"	17 3/16"
		N	-	45 13/16"	29 13/16"	21 13/16"	15 13/16"	13 13/16"	9 13/16"	7 13/16"	5 13/16"
EUS-120	120-1/4"	M	109 3/16"	53 3/16"	33 3/16"	25 3/16"	21 3/16"	9 3/16"	13 3/16"	11 3/16"	13 3/16"
		N	-	51 13/16"	33 13/16"	23 13/16"	17 13/16"	15 13/16"	11 13/16"	9 13/16"	7 13/16"



Prices and availability will be quoted based on the equipment needed to meet your requirements. Please call, fax or email Molders Choice with your mold quantities, sizes and weights, and your plant layout.

C to C of 36" wide unit =
(shelf width 36" + 6-3/16") 3' - 6-3/16"

C to C of 48" wide unit =
(shelf width 48" + 6-3/16") 4' - 6-3/16"

© 2009 MOLDERS CHOICE, Inc.



24 Hour Service - 7 Days a week
1-800-809-4623

WebSite: www.molderschoice.com • Email: molders@molderschoice.com