

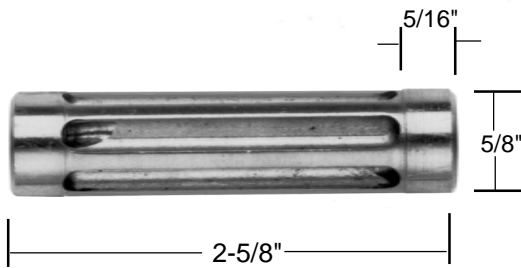
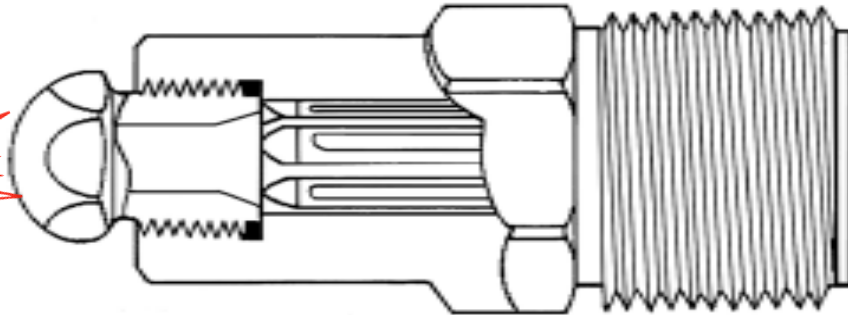
Linear Edge FILTER NOZZLE

A must for all Hot Runner Molds

- Traps Foreign Material
- Protects Hot-Runner Mold Gates.

- Maximum Protection
- Minimum Pressure Drop

Thousands Sold Worldwide



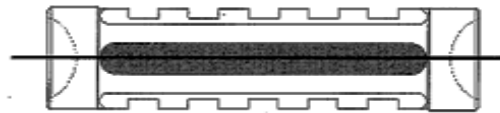
Material flows into rear-ported helical grooves, over barriers into adjacent front-ported grooves. .010" gap between groove barriers and nozzle I.D. traps foreign particles.

Also provides mixing action.

Standard Size fits any modified MOLDERS CHOICE removable-tip nozzle
Choose standard 316 Stainless Steel or long-wearing CPM9V Powder Metal Tool Steel.

Add Teeth for improved filtration and improved flow

CALL for Details



.020" to .050 teeth gap

Two ways to buy:

- A Filter only — modify your own nozzle (instructions included with filter).
- B Filter / Nozzle set — Purchased nozzle is machined to accept filter.

Part #	Description		Price
F1	Standard Size 316 Steel Filter	5/8" dia x 2-5/8 long	\$150.00
F1-9V	Standard Size CPM9V Filter	5/8" dia. x 2-5/8" long	\$300.00
F1-KONSS	Small, Kona-Compatible 316 Stainless Steel Filter	9/16" dia. x 1-3/4" long	\$232.00
F1-KON9V	Small, Kona-Compatible CPM9V Filter	9/16" dia. x 1-3/4" long	\$250.00
F2	Large 316 Stainless Steel Filter	.866 dia. x 4" long	\$225.00
F2-9V	Large CPM9V Filter	.866 dia. x 4" long	\$325.00

© 2016 MOLDERS CHOICE, Inc.



24 Hour Service - 7 Days a week
1-800-809-4623
 WebSite: www.molderschoice.com • Email: olders@molderschoice.com