

# Color Exact Screw-Type Volumetric Feeder



**Precisely meters color concentrate, regrind and other additives to an injection press.**

**Capacity**

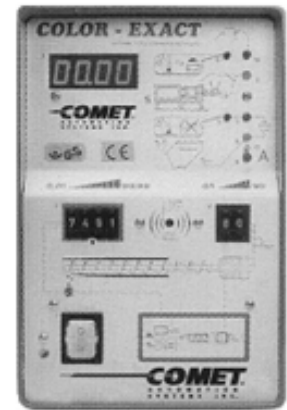
- Color Exact 1100:  
max capacity - 72 lbs./hr

**Screw & Sleeve Design Features:**

- Constructed of stainless steel, ensuring a long production life.
- Easy to change screw and sleeve
- Change color in less than one minute using two quick disconnect clips.
- Change color in less than one minute using two quick disconnect clips.

**Options:**

- Custom screws and sleeves can be manufactured upon request.
- Material testing upon request.



**SM-D Control Box**  
Mounts remotely for operator setup and status display.

**Featuring the latest innovations in electronics.**

Molders Choice Volumetric Feeders ensure accurate measurement of additives, using a step motor with incremental accuracy of 1/100th of a revolution to drive the metering feed screw. The amount of additive fed to the machine depends on the speed and duration of rotation of the metering screw – which can be set at 1-99 revolutions per minute.

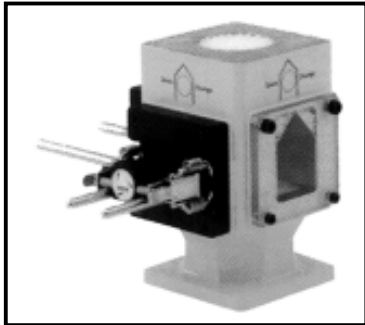
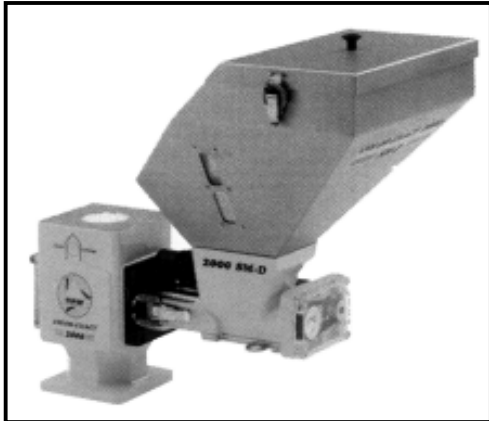
The injection molding machine sends a signal to the Color Exact at the start of screw recovery. The Color Exact meters the additive directly into the feed throat during this time. The 1100 consists of three main parts: a transition piece, a metering housing with stainless steel material hopper, and a control. The top and bottom flanges of the transition piece are not drilled, allowing you to match the bolt hole pattern to the feed throat of the machine. The unit should be installed at a 90° angle to the direction of the cylinder to prevent damage from heat emissions.



© 2011 MOLDERS CHOICE, Inc.

**24 Hour Service - 7 Days a week**  
**1-800-809-4623**  
 WebSite: [www.molderschoice.com](http://www.molderschoice.com) • Email: [molders@molderschoice.com](mailto:molders@molderschoice.com)

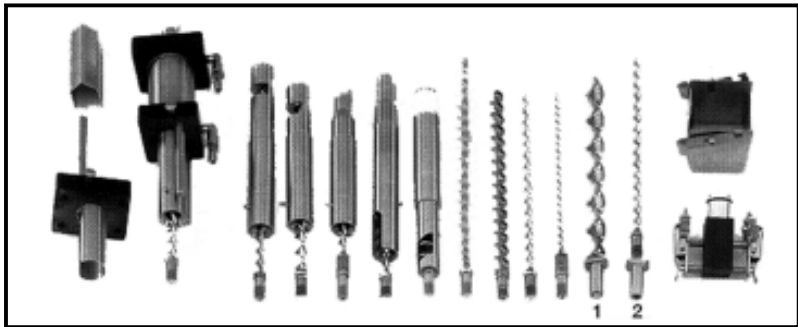
# Color Exact 1100



Quick-connect adapter plates available for adapting various Color Exact models to one transition piece.



**INTEGRAL HOPPER**  
available



**Screws / Sleeve Sets**

Large variety of metering screw/sleeve sets available to suit various applications. Metering screws #1 & #2 have magnetic couplings and can be removed without tools.

**Specifications**

Color Exact 1100							PRICE
Screws/Sleeves	5/6	6/13	9/16	12/19	15/22	18/25	<b>\$5500.00</b>
pounds / hr.	.39	3	13	29	51	72	



© 2011 MOLDERS CHOICE, Inc.

**24 Hour Service - 7 Days a week**  
1-800-809-4623  
 WebSite: [www.molderschoice.com](http://www.molderschoice.com) • Email: [modlers@molderschoice.com](mailto:modlers@molderschoice.com)