

# SOFT BRONZE PRI-POINT™ MOLD TOOLS

**Strong, Bronze Forging . . . Machined Expressly  
for Molded Part & Sprue Removal**

**STOP** Mold Damage - Only use Molders Choice  
Bronze Tools for plastic removal

**5 Sizes & Styles**

All with *Exclusive PRI-POINT Action!*



Soft nylon nut installed  
in tool pivot for convenient PRI-POINT

**BDS8-PP** 7-3/4" OAL Oval Flat Back  
.100 Beveled flat edge  
61/64" Jaw length serrated

**\$65.00**

**BG8-PP** 8" OAL Oval Rounded Back, relieved  
.100 Beveled flat edge  
61/64" Jaw length

**\$69.00**

**BC9-PP** 8-1/2" OAL 60-Degree  
Curved Long Nose, Serrated  
1-5/64" Jaw length

**\$70.00**

**BCR9-PP** 8-1/2" OAL Curved-Nose  
Relieved Gripper, Serrated  
1-27/32" Jaw length

**\$70.00**

**BL9-PP** 9" OAL Long Nose  
Serrated  
2-3/32" jaw length

**\$69.00**



**Part # BPP5** BUY All 5 and *Deduct 5%!* A **\$359.00 Value** for **\$343.00**  
*Plus get a Handy Tool Box to store them in!*

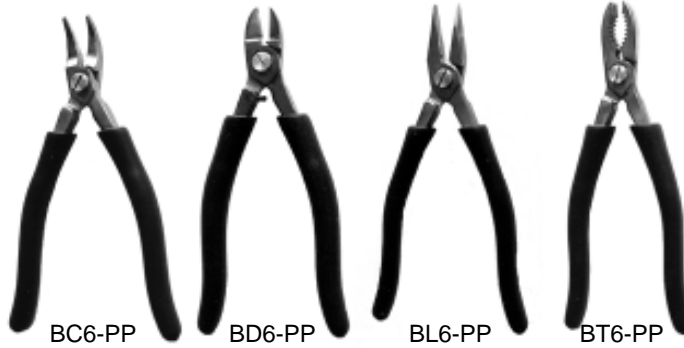
© 2014 MOLDERS CHOICE, Inc.



**24 Hour Service - 7 Days a week**  
**1-800-809-4623**  
WebSite: [www.molderschoice.com](http://www.molderschoice.com) • Email: [molders@molderschoice.com](mailto:molders@molderschoice.com)

# BRONZE MOLD TOOLS

**NEW**  
Additional  
Sizes and  
Features



Non-Scratch  
Non-Spark  
Non-Magnetic

ALL Tools Supplied  
with "Exclusive  
Pri-Point Action!"

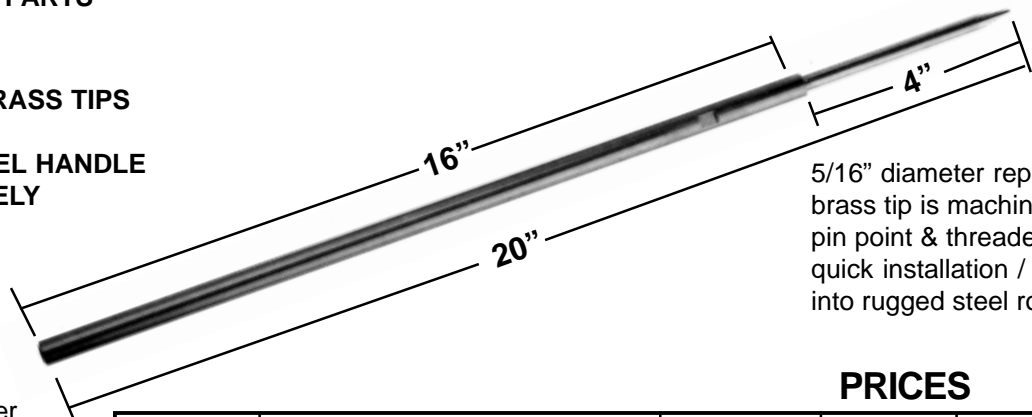
| PART #         | Type    | Size | Head        | Edge                   | Jaw               | PRICE          |
|----------------|---------|------|-------------|------------------------|-------------------|----------------|
| <b>BC6-PP</b>  | Pliers  | 6"   | Curved Nose |                        | Grooved, Serrated | <b>\$61.55</b> |
| <b>BD6-PP</b>  | Cutters | 6"   | Oval        | Super flush w/set stop |                   | <b>\$61.55</b> |
| <b>BD8-PP*</b> | Cutters | 8"   | Oval        | Super flush w/set stop |                   | <b>\$69.00</b> |
| <b>BL6-PP</b>  | Pliers  | 6"   | Long Nose   |                        | Grooved, Serrated | <b>\$61.55</b> |
| <b>BS6-PP*</b> | Combo   | 6"   | Shear Grip  | Short thin nose        | Serrated          | <b>\$61.55</b> |
| <b>BT6-PP</b>  | Pliers  | 6"   | Oval        | Gripper, 2-way         | Toothed           | <b>\$61.00</b> |
| <b>BT8-PP*</b> | Pliers  | 8"   | Oval        | Gripper, 2-way         | Toothed           | <b>\$69.00</b> |

\* Not Pictured

# BRASS ROD MOLD TOOL

**STOP** Technicians & Operators from Damaging Mold Surfaces

- REMOVES STUCK PARTS & RUNNERS FAST
- REPLACEABLE BRASS TIPS
- HEAVY DUTY STEEL HANDLE LASTS INDEFINITELY  
(won't mushroom over like a brass rod!)



5/16" diameter replacement brass tip is machined to pin point & threaded for quick installation / removal into rugged steel rod.

Strong 1/2" Diameter Steel Rod  
Lasts Forever,  
Won't Wear Out

### PRICES

| PART#       | DESCRIPTION                                   | QTY 1-9            | 10-20          | 21 or more     |
|-------------|---|--------------------|----------------|----------------|
| <b>BMT2</b> | Assembled tool with 1 steel rod / 1 brass tip | <b>\$17.00</b>     | <b>\$16.40</b> | <b>\$16.00</b> |
| <b>RT1</b>  | Replacement Brass tip ONLY                    | <b>\$4.70 each</b> |                |                |

© 2010 MOLDERS CHOICE, Inc.



24 Hour Service - 7 Days a week  
**1-800-809-4623**  
WebSite: [www.molderschoice.com](http://www.molderschoice.com) • Email: [molders@molderschoice.com](mailto:molders@molderschoice.com)