

EJECTOR BARS

Reduce mold and machine damage caused by uneven ejector bars

Drilled and tapped for 1/2"-13 positive ejector plate return bolts (both ends)

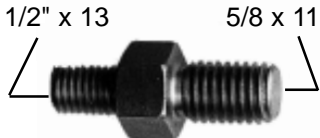
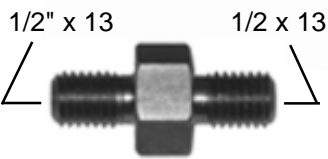
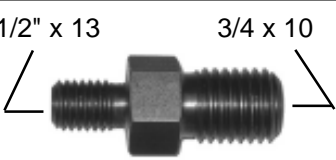
- Adjustable
- Heavy-duty design
- Easy to install

Heavy Duty 7/8" Hex Bar makes tightening easy

Jam nuts ensure length integrity

Threaded rod with nuts allows proper bar adjustment

ADAPTORS

 <p>1/2" x 13 5/8" x 11</p> <p>Part # QSA</p>
 <p>1/2" x 13 1/2" x 13</p> <p>Part # QSA12</p>
 <p>1/2" x 13 3/4" x 10</p> <p>Part # QSA34</p>

5 Adjustable sizes

PART #	Range	PRICES			
		1	2 - 4	5 - 9	10 +
QS810	8" to 10.5"	\$48.00	\$46.16	\$45.24	\$44.32
QS1012	10" to 12.5"	\$50.00	\$48.08	\$47.12	\$46.16
QS1214	12" to 14.5"	\$52.00	\$50.00	\$49.00	\$48.00
QS1416	14" to 16.5"	\$56.00	\$52.84	\$52.76	\$49.68
QS1618	16" to 18.5"	\$60.00	\$57.68	\$56.52	\$55.36

ADAPTORS

QSA	Adaptor 1/2" x 13 to 5/8" x 11	\$15.00
QSA12	Adaptor 1/2" x 13 to 1/2" x 13	\$15.00
QSA34	Adpator 1/2" x 13 to 3/4" x 10	\$15.00

Lengths not listed above may be ordered . . . Inquire

© 2009 MOLDERS CHOICE, Inc.



24 Hour Service - 7 Days a week
1-800-809-4623
 WebSite: www.molderschoice.com • Email: molders@molderschoice.com