

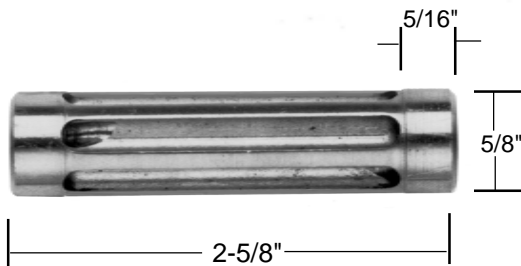
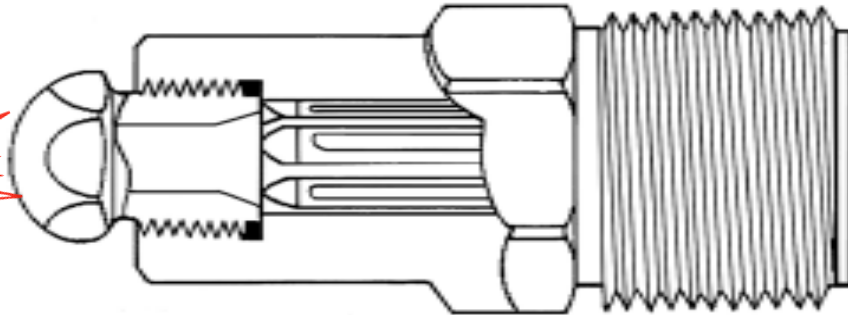
# Linear Edge FILTER NOZZLE

## A must for all Hot Runner Molds

- Traps Foreign Material
- Protects Hot-Runner Mold Gates.

- Maximum Protection
- Minimum Pressure Drop

Thousands Sold Worldwide



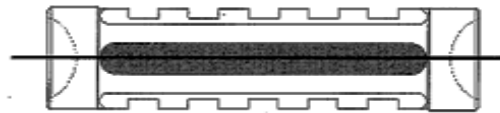
Material flows into rear-ported helical grooves, over barriers into adjacent front-ported grooves. .010" gap between groove barriers and nozzle I.D. traps foreign particles.

Also provides mixing action.

Standard Size fits any modified MOLDERS CHOICE removable-tip nozzle  
Choose standard 316 Stainless Steel or long-wearing CPM9V Powder Metal Tool Steel.

Add Teeth for improved filtration and improved flow

**CALL for Details**



.020" to .050 teeth gap

**Two ways to buy:**

- A Filter only — modify your own nozzle (instructions included with filter).
- B Filter / Nozzle set — Purchased nozzle is machined to accept filter.

Part #	Description		Price
F1	Standard Size 316 Steel Filter	5/8" dia x 2-5/8 long	\$150.00
F1-9V	Standard Size CPM9V Filter	5/8" dia. x 2-5/8" long	\$300.00
F1-KONSS	Small, Kona-Compatible 316 Stainless Steel Filter	9/16" dia. x 1-3/4" long	\$232.00
F1-KON9V	Small, Kona-Compatible CPM9V Filter	9/16" dia. x 1-3/4" long	\$250.00
F2	Large 316 Stainless Steel Filter	.866 dia. x 4" long	\$225.00
F2-9V	Large CPM9V Filter	.866 dia. x 4" long	\$325.00

© 2016 MOLDERS CHOICE, Inc.



24 Hour Service - 7 Days a week  
**1-800-809-4623**  
 WebSite: [www.molderschoice.com](http://www.molderschoice.com) • Email: [molders@molderschoice.com](mailto:molders@molderschoice.com)

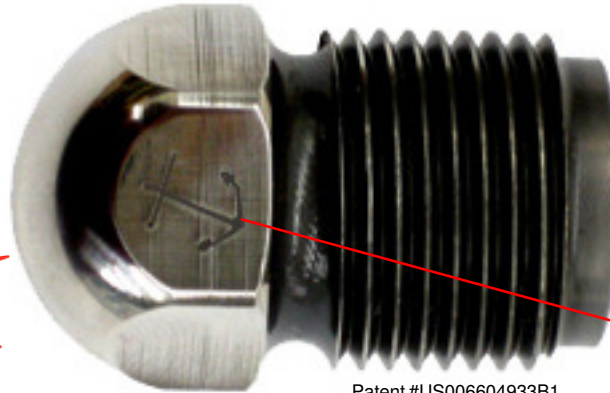
# Molders Choice "E" Universal Nozzle Tips

Patented TIP Controls or Eliminates Stringing, Drooling and Cold Slugs

## One Advanced Universal Tip for All Your Jobs!

*Eliminates the need of Stocking General Purpose, Nylon or Full Taper Tips*

- Reduce Downtime
- Decrease Rejected Parts
- Increase your margins
- Reduce Mold Damages
- Short Shot Control



**"E" is here!!  
"E" everything  
Thermoplastic**

Look for the Anchor, to assure you're getting the Original "E" Tip

Patent #US006604933B1

Developed by molder Sam Kern, for ALL molders so you know it works!

### 1/2" Radius 1-1/2" OAL

Part #	Radius	Orifice	OAL	PRICE
E5093	1/2"	3/32"	1-1/2"	\$50.00
E5125	1/2"	1/8"	1-1/2"	\$50.00
E5156	1/2"	5/32"	1-1/2"	\$50.00
E5187	1/2"	3/16"	1-1/2"	\$50.00
E5250	1/2"	1/4"	1-1/2"	\$50.00
E5312	1/2"	5/16"	1-1/2"	\$50.00
E5375	1/2"	3/8"	1-1/2"	\$50.00
E7125	3/4"	1/8"	1-1/2"	\$50.00
E7156	3/4"	5/32"	1-1/2"	\$50.00
E7187	3/4"	3/16"	1-1/2"	\$50.00
E7250	3/4"	1/4"	1-1/2"	\$50.00
E7312	3/4"	5/16"	1-1/2"	\$50.00
E7375	3/4"	3/8"	1-1/2"	\$50.00

- Couple the "E" Tip to our Coil Heated Nozzles and you have the Best Nozzle Temperature Control Money Can Buy!
- Other Orifice Sizes & Lengths available
- 1/2" and 3/4" Radius
- Industry standard 7/8-14 thread
- H13 Tool Steel Heat Treated R46-48

### 1/2" Radius Extend Tips 3-3/4" OAL

Part #	Radius	Orifice	OAL	PRICE
EL5125-3	1/2"	1/8"	3-3/4"	\$171.00
EL5156-3	1/2"	5/32"	3-3/4"	\$171.00
EL5187-3	1/2"	3/16"	3-3/4"	\$171.00
EL5250-3	1/2"	1/4"	3-3/4"	\$171.00



Extended Tips

### 1/2" Radius Extend Tips 2-3/4" OAL

Part	Radius	Orifice	OAL	PRICE
EL5125-2	1/2"	1/8"	2-3/4"	\$160.00
EL5156-2	1/2"	5/32"	2-3/4"	\$160.00
EL5187-2	1/2"	3/16"	2-3/4"	\$160.00
EL5250-2	1/2"	1/4"	2-3/4"	\$160.00
EL5312-2	1/2"	5/16"	2-3/4"	\$160.00

### 1/2" Radius Extend Tips 5" OAL

Part #	Radius	Orifice	OAL	PRICE
EL5125-5	1/2"	1/8"	5"	\$186.00
EL5156-5	1/2"	5/32"	5"	\$186.00
EL5187-5	1/2"	3/16"	5"	\$186.00
EL5250-5	1/2"	1/4"	5"	\$186.00



Arburg Tips

### Arburg Tips 1/2" Radius Extend Tips 1.8" OAL

Part #	Radius	Orifice	OAL	PRICE
E5093ARG	1/2"	3/32"	1.8"	\$60.00
E5125ARG	1/2"	1/8"	1.8"	\$60.00
E5156ARG	1/2"	5/32"	1.8"	\$60.00
E5187ARG	1/2"	3/16"	1.8"	\$60.00

### 3/4" Radius Extend Tips 5" OAL

Part #	Radius	Orifice	OAL	PRICE
EL7125-5	3/4"	1/8"	5"	\$186.00
EL7156-5	3/4"	5/32"	5"	\$186.00
EL7187-5	3/4"	3/16"	5"	\$186.00
EL7250-5	3/4"	1/4"	5"	\$186.00
EL7312-5	3/4"	5/16"	5"	\$186.00
EL7125-5	3/4"	1/8"	5"	\$186.00

© 2014 MOLDERS CHOICE, Inc.



24 Hour Service - 7 Days a week  
**1-800-809-4623**  
 WebSite: [www.molderschoice.com](http://www.molderschoice.com) • Email: [molders@molderschoice.com](mailto:molders@molderschoice.com)