

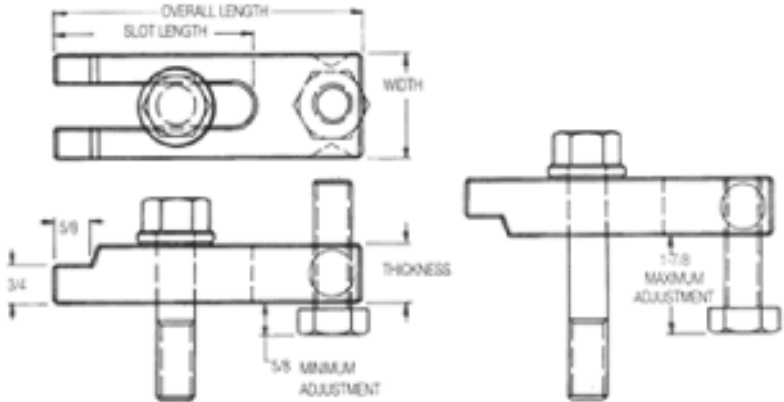
# Open Toe MOLD CLAMPS

**HEAVY DUTY**

(All Clamp Styles and Sizes Available with Non-Swivel-Base)



- Each Mold Clamp Set Consists of:
- 1 - Mold Clamp
  - 1 - Clamp Adjusting Screw
  - 1 - Mold Washer
  - 1 - Clamping Screw



For Clamping Screw Diameter	Clamping Screw Size Supplied With Assembly Diameter x Length	Mold Clamp Specifications				Complete Assembly Part Number	Price Each	Individual Clamp Bodies Part Number	Price Each
		Thickness	Width	Slot Length	Overall Length				
5/8"	5/8-11 x 3-1/4	1	1-3/4	2-3/4	4	MCCFC584A	\$26.84	MCHD584	\$20.00
				3-1/4	5	MCCFC585A	\$29.24	MCHD585	\$21.00
				3-3/4	6	MCCFC586A	\$28.00	MCHD586	\$23.20
				4-1/4	7	MCCFC587A	\$34.35	MCHD587	\$25.60
3/4"	3/4-10 x 4	1-1/8	2	3-3/8	5	MCCFC755A	\$34.00	MCHD755	\$25.90
				3-7/8	6	MCCFC756A	\$36.00	MCHD756	\$28.25
				4-3/8	7	MCCFC757A	\$43.25	MCHD757	\$30.65
				5-3/8	8	MCCFC758A	\$41.00	MCHD758	\$34.00
1"	1-8 x 4-1/2	1-1/2	2-1/2	6	10	MCCFC110A	\$62.00	MCHD110	\$43.50



©2017 MOLDERS CHOICE, Inc.

**24 Hour Service - 7 Days a week**  
**1-800-809-4623**  
 WebSite: [www.molderschoice.com](http://www.molderschoice.com) • Email: [modlers@molderschoice.com](mailto:modlers@molderschoice.com)

# Open Toe MOLD CLAMPS

**HEAVY DUTY**

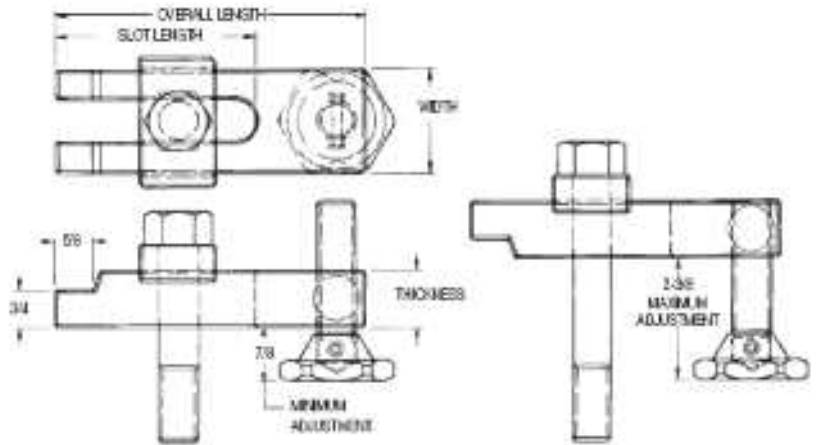
**(with Swivel-Base Adjusting Screw)**



Each Mold Clamp Set

Consists of:

- 1 - Mold Clamp
- 1 - Clamp Adjusting Screw
- 1 - Mold Washer
- 1 - Clamping Screw



For Clamping Screw Diameter	Clamping Screw Size Supplied With Assembly Diameter x Length	Mold Clamp Specifications				Complete Assembly Part Number	Price Each	Individual Clamp Bodies Part Number	Price Each
		Thickness	Width	Slot Length	Overall Length				
5/8"	5/8-11 x 3-1/2	1	1-3/4	2-3/4	4	MCTAC584A	\$35.50	MCHD584	\$20.00
				3-1/4	5	MCTAC585A	\$36.60	MCHD585	\$21.00
				3-3/4	6	MCTAC586A	\$39.00	MCHD586	\$23.20
				4-1/4	7	MCTAC587A	\$40.75	MCHD587	\$25.60
3/4"	3/4-10 x 4	1-1/8	2	3-3/8	5	MCTAC755A	\$44.30	MCHD755	\$25.80
				3-7/8	6	MCTAC756A	\$46.70	MCHD756	\$28.25
				4-3/8	7	MCTAC757A	\$49.00	MCHD757	\$30.65
				5-3/8	8	MCTAC758A	\$51.75	MCHD758	\$34.00
1"	1-8 x 5	1-1/2	2-1/2	6	10	MCTAC110A	\$78.50	MCHD110	\$45.50

© 2017 MOLDERS CHOICE, Inc.



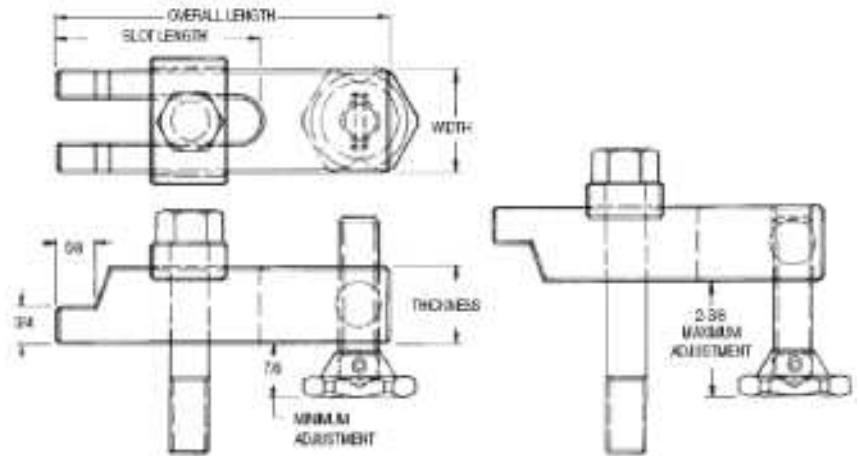
**24 Hour Service - 7 Days a week**  
**1-800-809-4623**  
 WebSite: [www.molderschoice.com](http://www.molderschoice.com) • Email: [molders@molderschoice.com](mailto:molders@molderschoice.com)

# Open Toe MOLD CLAMPS

**EXTRA HEAVY DUTY** (with Swivel-Base Adjusting Screw)



- Each Mold Clamp Set  
Consists of:
- 1 - Mold Clamp
  - 1 - Clamp Adjusting Screw
  - 1 - Mold Washer
  - 1 - Clamping Screw



For Clamping Screw Diameter	Clamping Screw Size Supplied With Assembly Diameter x Length	Mold Clamp Specifications				Complete Assembly Part Number	Price Each	Individual Clamp Bodies Part Number	Price Each
		Thickness	Width	Slot Length	Overall Length				
5/8"	5/8-11 x 3-3/4	1-1/4	1-3/4	3-5/8	6	MCTAC5860A	\$45.00	MCHXD5860	\$27.66
				4-5/8	7-1/2	MCTAC5875A	\$48.00	MCHXD5875	\$31.23
3/4"	3/4-10 x 3-3/4	1-1/2	2	4	6-1/2	MCTAC7565A	\$58.30	MCHXD7565	\$39.56
				5	8	MCTAC7580A	\$61.90	MCHXD7580	\$45.13
				6	9-1/2	MCTAC7595A	\$71.50	MCHXD7595	\$49.50
1"	1-8 x 5-1/2	1-3/4	2-1/2	4-3/8	8	MCTAC1008A	\$83.90	MCHXD1008	\$49.40
				6-3/8	11	MCTAC1011A	\$92.00	MCHXD1011	\$59.00

© 2017 MOLDERS CHOICE, Inc.



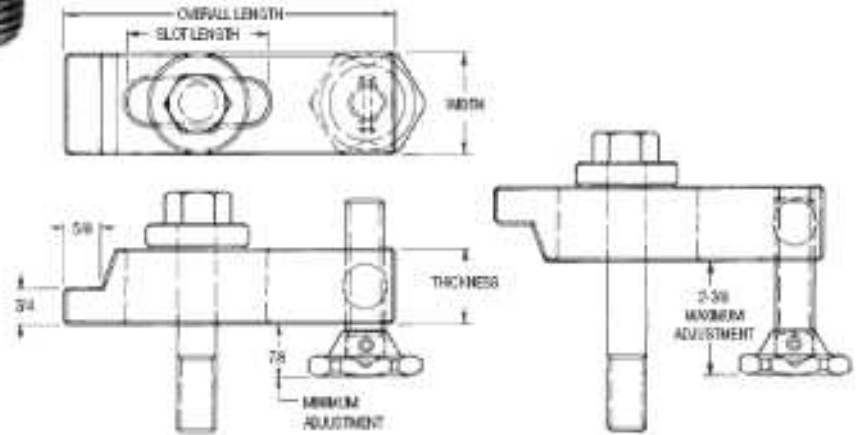
24 Hour Service - 7 Days a week  
**1-800-809-4623**  
 WebSite: [www.molderschoice.com](http://www.molderschoice.com) • Email: [molders@molderschoice.com](mailto:molders@molderschoice.com)

# Closed Toe MOLD CLAMPS

**EXTRA HEAVY DUTY** (with Swivel-Base Adjusting Screw)



- Each Mold Clamp Set Consists of:
- 1 - Mold Clamp
  - 1 - Clamp Adjusting Screw
  - 1 - Mold Washer
  - 1 - Clamping Screw



For Clamping Screw Diameter	Clamping Screw Size Supplied With Assembly Diameter x Length	Mold Clamp Specifications				Complete Assembly Part Number	Price Each	Individual Clamp Bodies Part Number	Price Each
		Thickness	Width	Slot Length	Overall Length				
5/8"	5/8-11 x 3-1/2	1	1-3/4	2-5/8	6	MCTAC5861A	\$49.50	MCXHD5861	\$28.85
				3-5/8	7-1/2	MCTAC5876A	\$48.00	MCXHD5876	\$32.20
3/4"	3/4-10 x 4	1-1/8	2	2-3/4	6-1/2	MCTAC7566A	\$73.00	MCXHD7566	\$42.25
				3-3/4	8	MCTAC7581A	\$63.50	MCXHD7581	\$45.85
				4-3/4	9-1/2	MCTAC7596A	\$71.50	MCXHD7596	\$49.75
1"	1-8 x 5	1-1/2	2-1/2	3	8	MCTAC1009A	\$89.50	MCXHD1009	\$52.40
				5	11	MCTAC1012A	\$99.00	MCHXD1012	\$61.65
1-1/4"	1-1/4-7 x 6	1-3/4	3	5-1/2	13	MCTAC1250A	\$175.00	MCXHD1250	\$112.20
1-1/2"	1-1/2-6 x 6	1-3/4	3-1/2	5-3/4	13-1/2	MCTAC1500A	\$213.90	MCXHD1500	\$153.85

© 2017 MOLDERS CHOICE, Inc.



**24 Hour Service - 7 Days a week**  
**1-800-809-4623**  
 WebSite: [www.molderschoice.com](http://www.molderschoice.com) • Email: [molders@molderschoice.com](mailto:molders@molderschoice.com)

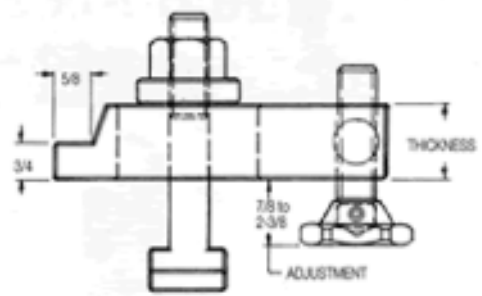
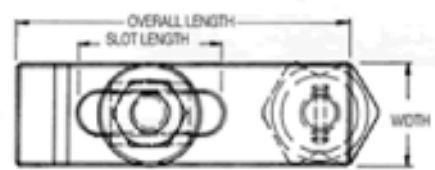
# Closed Toe MOLD CLAMPS

EXTRA HEAVY DUTY

For "T-Slotted" Machines  
(with Swivel-Base Adjusting Screw)



- Each Mold Clamp Set  
Consists of:
- 1 - Mold Clamp
  - 1 - Clamp Adjusting Screw
  - 1 - Mold Washer
  - 1 - Clamping Screw



Clamping Screw Size Supplied With Assembly Diameter x Length	Mold Clamp Specifications				Complete Assembly Part Number	Price Each	Individual Clamp Bodies Part Number	Price Each
	Thickness	Width	Slot Length	Overall Length				
5/8 x 4-1/2	1-1/4	1-3/4	2-5/8	6	MCTBA5861A	\$49.50	MCHXD5861	\$28.90
3/4 x 3-3/4	1-1/2	2	4-5/8	7-1/2	MCTBA7566A	\$69.40	MCHXD7566	\$42.25
1 x 6	1-3/4	2-1/2	4	6-1/2	MCTBA1009A	\$103.40	MCHXD1009	\$52.40

© 2017 MOLDERS CHOICE, Inc.



**24 Hour Service - 7 Days a week**  
**1-800-809-4623**  
 WebSite: [www.molderschoice.com](http://www.molderschoice.com) • Email: [molders@molderschoice.com](mailto:molders@molderschoice.com)

# MOLD CLAMPS Accessory Replacement Parts

## High Strength: Grade 5, Hex Head Clamping Screws

Part #	Length	Thread Size	Hex Size	Thickness	Price Each
MCS1235	3-1/2	1/2-13	3/4	5/16	\$2.50
MCS5832	3-1/2	5/8-11	15/16	25/64	\$2.25
MCS8535	3-1/2	5/8-11	15/16	25/64	\$2.50
MCS5837	3-3/4	5/8-11	15/16	25/64	\$2.75
MCS7540	4	3/4-10	1-1/8	15/32	\$3.50
MCS7545	4-1/2	3/4-10	1-1/8	15/32	\$3.75
MCS1045	4-1/2	1-8	1-1/2	39/64	\$7.50
MCS1050	5	1-8	1-1/2	39/67	\$9.00
MCS1055	5-1/2	1-8	1-1/2	39/64	\$8.50
MCS1256	6	1-1/2-6	1-7/8	3/4	\$20.00
MCS1506	6	1-1/2-6	2-1/4	7/8	\$24.40



## Extra Large No-Twist Rectangular Mold Washers



Part #	Screw Dia. (I.D.)	Length	Thickness Above Clamp	Clamp Width	Price Each
MCSW127	1/2	2-1/4	3/4	1-3/4	\$6.00
MCSW587	5/8	2-1/4	3/4	1-3/4	\$6.00
MCSW757	3/4	2-1/2	3/4	2	\$6.75
MCSW1007	1	3	1	2-1/2	\$8.65

## High Strength: T-Slot Bolts



Part #	Length	Thread Size	Price Each
MCTB5845	4-1/2	5/8-11	\$8.50
MCTB7550	5	3/4-10	\$12.00
MCTB1060	6	1-8	\$24.00

## Extra Large Round Mold Washers



Part #	Screw Dia. (I.D.)	O.D. Dia.	Thickness	Price Each
MCRW586	5/8	1-3/4	1/2	\$4.00
MCRW756	3/4	2	1/2	\$4.50
MCRW1006	1	2-1/2	5/8	\$7.00
MCRW1256	1-1/4	3	5/8	\$9.00
MCRW1506	1-1/2	3-1/2	5/8	\$10.75

## Hex Head Adjusting Screws



Part #	Clamp Screw Dia.	Thread Size	Head Thickness	Height Above Head	Price Each
MCH-58	5/8	5/8-11	7/16	2-1/2	\$2.75
MCH75	3/4	3/4-10	1/2	2-1/2	\$3.25
MCH100	1	1-8	5/8	2-1/2	\$6.50

## Round Mold Washers



Part #	Screw Dia. (I.D.)	O.D. Dia.	Thickness	Price Each
MCRW58	5/8	1-1/4	1/4	\$2.50
MCRW75	3/4	1-1/2	1/4	\$3.00
MCRW100	1	2	5/16	\$7.00

## Extra Large Adjusting Screw Assemblies



Part #	Clamp Screw Dia.	Thread Size	Swivel Base Hex Size	Base Height	Height Above Head	Price Each
MCH585	5/8	5/8-11	1-3/4	7/8	3	\$10.00
MCH755	3/4	3/4-10	2	7/8	3-1/2	\$11.50
MCH1005	1	1-8	2-1/2	1-5/16	3-1/2	\$18.75
MCH1505	1-1/4	1-1/2-6	3	1-5/8	5-5/8	\$34.75

## Heavy Duty Hex Nuts for T-Slot Bolts



Part #	Screw Dia. (I.D.)	O.D. Dia.	Thickness	Price Each
MCN58	5/8-11	1-1/16	39/64	\$2.50
MCN75	3/4-10	1-1/4	47/64	\$3.00
MCN100	1-8	2-1/2	63/64	\$7.00

© 2017 MOLDERS CHOICE, Inc.

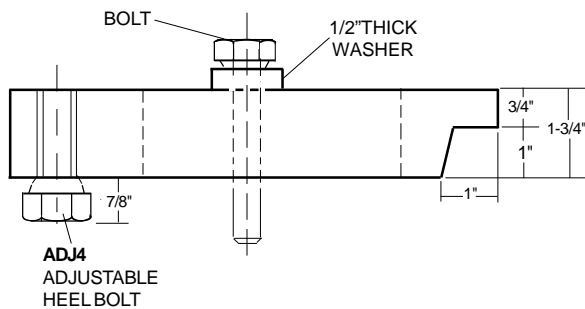


24 Hour Service - 7 Days a week  
**1-800-809-4623**  
 WebSite: [www.molderschoice.com](http://www.molderschoice.com) • Email: [molders@molderschoice.com](mailto:molders@molderschoice.com)

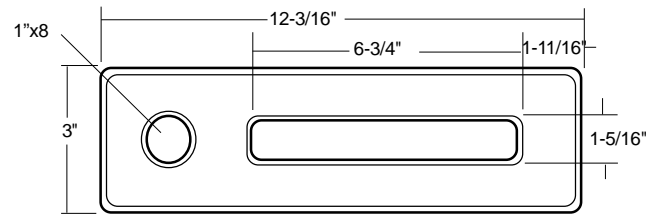
# 12" CLOSED-TOE MACHINED MOLD CLAMP

**FOR 1-1/4" - 7 PLATEN HOLES**  
Adjustable, for all Mold Flanges 1" to 4-1/4"

- Hi-tensile hardened steel
- Black oxide finish resists rust and corrosion
- Extra thick design



**Heavy duty design will NOT bend or break!**



**Full 1 Year Warranty**

PART #	DESCRIPTION	PRICE
MCCM12	12" Closed-Toe Mold Clamp, weight: 13 lbs	\$90.00
B1147-60	1-1/4" - 7 x 6" Hex-head bolt (grade 8, black finish)	\$ 8.00
B1147-70	1-1/4" - 7 x 7" Hex-head bolt (grade 8, black finish)	\$ 8.50
ETW11450	2-1/2" O.D. x 1-5/16 I.D. x 1/2" thick Washer for 1-1/4" x 7 bolt	\$ 6.80
ADJ4	Adjustable heel bolt for 12" mold clamp, 1"x8 x 3-1/2	\$11.65

**\* For Metric bolts, please call for prompt pricing & delivery**

©2014 MOLDERS CHOICE, Inc.



24 Hour Service - 7 Days a week

**1-800-809-4623**

WebSite: [www.molderschoice.com](http://www.molderschoice.com) • Email: [molders@molderschoice.com](mailto:molders@molderschoice.com)