

CENTER - PULL HOIST RING

Safe Mold Lifting at any angle

Full 360° Swivel
Full 180° Pivot

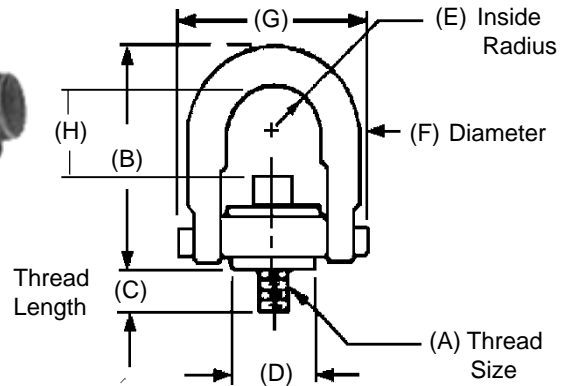
Quality Standards

- All hoist ring assemblies are pull-tested and certified to 200% of rated load capacity and stamped with identifying date code.
- All hoist rings are designed for 5:1 strength factor.
- Finished assembly is black-oxide plated (with the exception of the washer).
- Individual certificate of proof-test accompanies product in final packaging.



SPECIFICATIONS

- Material: Alloy Steel
- Finish: Black Oxide
- Clevis, Bolt, Pins, Base, Washer and Bushing are magnetic-particle inspected based on ASTM709-80 and MIL-STD-105
- Washer: Gold Iridite
- 200% Proof Tested



THRD SIZE A	LOAD CAP (lbs)	PART #	THREAD LENGTH							TORQUE (ft.-lbs.)	WT. (lbs.)	PRICE
			B	C	D	E	F	G	H			
5/16-18	800	23406	2.67	9/16	.75	.43	.38	1.84	1-1/4	7	.3	\$81.00
3/8-16	1000	23408	2.67	9/16	.75	.43	.38	1.84	1-1/4	12	.3	\$81.00
1/2-13	2500	23412	4.78	1	1.50	.88	.75	3.52	2-3/8	28	2.5	\$96.00
1/2-13	2500	23413	4.78	1-1/4	1.50	.88	.75	3.52	2-3/8	28	2.5	\$96.00
5/8-11	4000	23414	4.78	1	1.50	.88	.75	3.52	2-1/4	60	2.7	\$96.00
5/8-11	4000	23415	4.78	1-1/4	1.50	.88	.75	3.52	2-1/4	60	2.7	\$96.00
3/4-10	5000	23417	4.78	1	1.50	.88	.75	3.52	2-1/8	100	3.0	\$96.00
3/4-10	5000	23418	4.78	1-1/2	1.50	.88	.75	3.52	2-1/8	100	3.0	\$96.00
7/8-9	8000	23424	6.52	1-1/4	2.31	1.40	1.00	5.14	2-13/16	160	7.5	\$205.00
1-8	10000	23425	6.52	1-1/4	2.31	1.40	1.00	5.14	2-11/16	230	7.5	\$205.00
1-8	10000	23426	6.52	1-1/2	2.31	1.40	1.00	5.14	2-11/16	230	7.5	\$205.00
1-1/4-7	15000	23429	8.73	1-7/8	3.19	1.75	1.25	6.50	4-1/4	470	14	\$349.00
1-1/2-6	24000	23433	12.47	2-3/4	4.19	2.25	1.75	8.55	6-1/2	800	33	\$460.00

Metric sizes available . . . SEE PAGE 205

© 2017 MOLDERS CHOICE, Inc.



24 Hour Service - 7 Days a week
1-800-809-4623
WebSite: www.molderschoice.com • Email: modlers@molderschoice.com

METRIC CENTER - PULL HOIST RING

Safe Mold Lifting at any angle

Full 360° Swivel
Full 180° Pivot

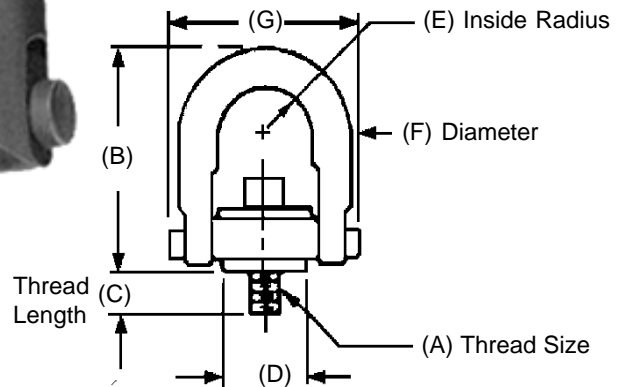
Quality Standards

- All hoist ring assemblies are pull-tested and certified to 200% of rated load capacity and stamped with identifying date code.
- All hoist rings are designed for 5:1 strength factor.
- Finished assembly is black-oxide plated (with the exception of the washer).
- Individual certificate of proof-test accompanies product in final packaging.



SPECIFICATIONS

- Material: 4140
- Finish: Black Oxide
- Clevis, Bolt, Pins, Base, Washer and Bushing are magnetic-particle inspected based on ASTM709-80 and MIL-STD-105
- Washer: Zin Plated Silver
- 200% Proof Tested



THRD SIZE A	LOAD CAP (lbs)	PART #	THREAD LENGTH						TORQUE (ft.-lbs.)	WT. (lbs.)	PRICE
			B	C	D	E	F	G			
M8X1.25	400	23456	67.8	12.5	19	10.9	9.7	46.7	1	0.17	\$81.00
M10X1.5	450	23458	67.8	17.5	19	10.9	9.7	46.7	1.7	0.17	\$81.00
M12X1.75	1050	23462	170	19	1.50	22.4	19	89.4	3.8	1.08	\$96.00
M16X20	1900	23465	121.4	29	1.50	22.4	19	89.4	8.2	1.12	\$96.00
M20X2.5	2150	23468	121.4	34	1.50	22.4	19	89.4	13.6	1.19	\$96.00
M20X2.5	3000	23471	165.6	32	1.50	35.6	25.4	130.6	13.6	3.03	\$205.00
M24X3.0	4200	23474	165.6	37	1.50	35.6	25.4	130.6	31	3.1	\$205.00
M30X3.5	7000	23478	221.7	41.9	1.50	44.5	31.7	165.1	60	6.3	\$349.00
M30X.5	7000	23479	221.7	61.7	2.31	44.5	31.7	165.1	60	6.4	\$349.00
M36X4.0	11000	23483	316.7	63.5	2.31	57.2	44.4	217.2	100	15.5	\$460.00
M42X4.5	12500	23484	316.7	68	2.31	57.2	44.4	217.2	100	16	\$536.00
M48X5.0	13500	23485	316.7	82.4	3.19	57.2	44.4	217.2	100	16.8	\$566.00
M64X6.0	22500	23488	419.1	101.6	4.19	76.2	57.15	297.6	209	40	\$1468.00

© 2017 MOLDERS CHOICE, Inc.



24 Hour Service - 7 Days a week

1-800-809-4623

WebSite: www.molderschoice.com • Email: molders@molderschoice.com