

SOFT BRONZE PRI-POINT™ MOLD TOOLS

**Strong, Bronze Forging . . . Machined Expressly
for Molded Part & Sprue Removal**

STOP Mold Damage - Only use Molders Choice
Bronze Tools for plastic removal

5 Sizes & Styles

All with *Exclusive PRI-POINT Action!*



Soft nylon nut installed
in tool pivot for convenient PRI-POINT

BDS8-PP

7-3/4" OAL Oval Flat Back
.100 Beveled flat edge
61/64" Jaw length serrated

\$65.00

BG8-PP

8" OAL Oval Rounded Back, relieved
.100 Beveled flat edge
61/64" Jaw length

\$69.00

BC9-PP

8-1/2" OAL 60-Degree
Curved Long Nose, Serrated
1-5/64" Jaw length

\$70.00

BCR9-PP

8-1/2" OAL Curved-Nose
Relieved Gripper, Serrated
1-27/32" Jaw length

\$70.00

BL9-PP

9" OAL Long Nose
Serrated
2-3/32" jaw length

\$69.00



Soft Nylon Nut



Part # BPP5 BUY All 5 and *Deduct 5%!* A **\$359.00 Value** for **\$343.00**

Plus get a Handy Tool Box to store them in!

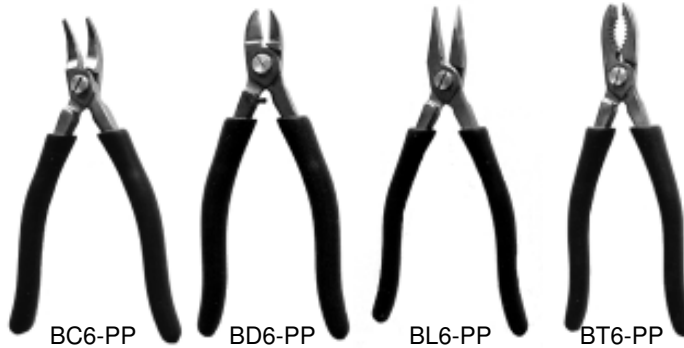
© 2014 MOLDERS CHOICE, Inc.



24 Hour Service - 7 Days a week
1-800-809-4623
WebSite: www.molderschoice.com • Email: molders@molderschoice.com

BRONZE MOLD TOOLS

NEW
Additional
Sizes and
Features



Non-Scratch
Non-Spark
Non-Magnetic

ALL Tools Supplied
with "Exclusive
Pri-Point Action!"

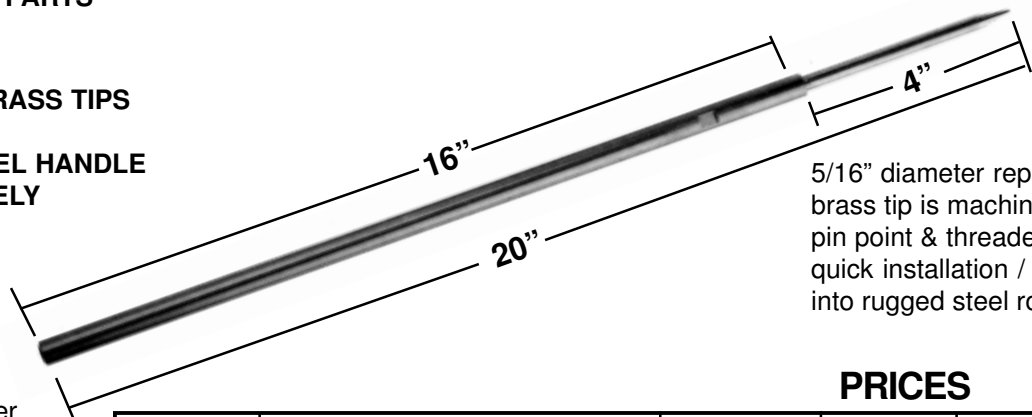
| PART # | Type | Size | Head | Edge | Jaw | PRICE |
|---------|---------|------|-------------|------------------------|-------------------|---------|
| BC6-PP | Pliers | 6" | Curved Nose | | Grooved, Serrated | \$63.00 |
| BD6-PP | Cutters | 6" | Oval | Super flush w/set stop | | \$63.00 |
| BD8-PP* | Cutters | 8" | Oval | Super flush w/set stop | | \$70.00 |
| BL6-PP | Pliers | 6" | Long Nose | | Grooved, Serrated | \$63.00 |
| BS6-PP* | Combo | 6" | Shear Grip | Short thin nose | Serrated | \$63.00 |
| BT6-PP | Pliers | 6" | Oval | Gripper, 2-way | Toothed | \$63.00 |
| BT8-PP* | Pliers | 8" | Oval | Gripper, 2-way | Toothed | \$70.00 |

* Not Pictured

BRASS ROD MOLD TOOL

STOP Technicians & Operators from Damaging Mold Surfaces

- REMOVES STUCK PARTS & RUNNERS FAST
- REPLACEABLE BRASS TIPS
- HEAVY DUTY STEEL HANDLE LASTS INDEFINITELY
(won't mushroom over like a brass rod!)



5/16" diameter replacement brass tip is machined to pin point & threaded for quick installation / removal into rugged steel rod.

Strong 1/2" Diameter Steel Rod
Lasts Forever,
Won't Wear Out

PRICES

| PART# | DESCRIPTION | QTY 1-9 | 10-20 | 21 or more |
|-------|---|-------------|---------|------------|
| BMT2 | Assembled tool with 1 steel rod / 1 brass tip | \$21.00 | \$20.50 | \$20.00 |
| RT1 | Replacement Brass tip ONLY | \$7.00 each | | |

© 2018 MOLDERS CHOICE, Inc.



24 Hour Service - 7 Days a week
1-800-809-4623
WebSite: www.molderschoice.com • Email: molders@molderschoice.com