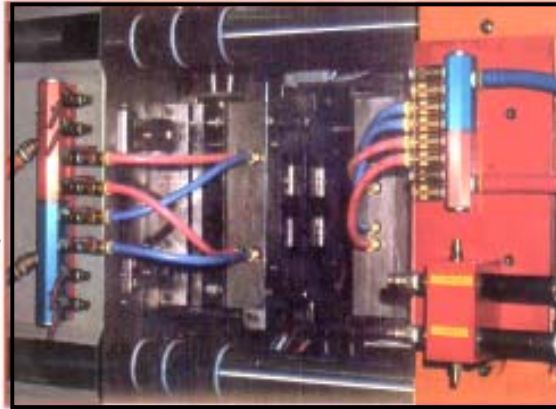


COLOR CODED, QUICK-CHANGE ALUMINUM MANIFOLDS

Full flow for optimum cooling

- Pre-plumbed molds reduce set-up time, eliminate connection errors
- Low profile
- Can be equipped with quick-change connectors for fast mold changes
- Anodizing treatment inhibits corrosion



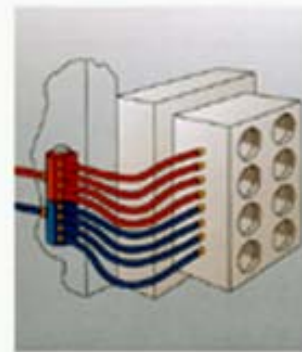
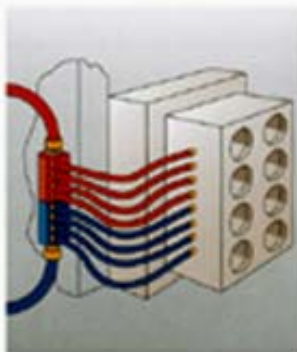
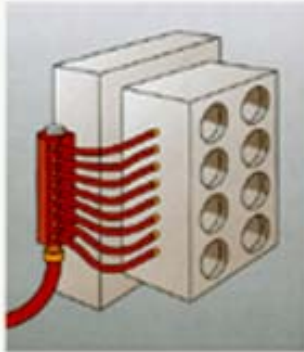
- Color coded manifolds
Blue for Cold, Red for Hot
- Rugged design, field tested in hundreds of plants.
- 3 Volume sizes available
3/4", 1" & 1-1/2"
- Pressure rates:
3000 psi @ 300° F
(200 psi On Inline & Sideline Divided Only)

The advantage of mold mounting, color coding and quick connect fittings can be readily seen above, a typical application of INLINE manifolds.



TYPICAL MANIFOLD MOUNTING CONFIGURATIONS

Examples shown here are only a few of the large number of possible mounting arrangements.



© 2009 MOLDERS CHOICE, Inc.



24 Hour Service - 7 Days a week
1-800-809-4623
 WebSite: www.molderschoice.com • Email: molders@molderschoice.com

COLOR CODED QUICK-CHANGE ALUMINUM MANIFOLDS

SMARTFLOW[®]



General Description

SMARTFLOW[®] DUOFLOW[™] Manifolds are robust extruded aluminum manifolds similar to the original Smartflow one-piece design. The manifolds are divided internally and anodized half red and blue to denote supply and return on a single manifold. No end plug is needed.

The Duoflow design provides a shorter footprint specifically for mounting a manifold directly to an injection mold, or where space is limited. Port spacing is narrow for installation of hose barbs or quick disconnect fittings only. Ball valves are not recommended.

Tool change time is significantly decreased by mounting manifolds directly to molds in storage. Water hookup is simplified to "Supply" and "Return" lines versus individual water lines for every circuit.

General Description

- **Shorter Length** for easier mounting directly to injection molds
- **Mold-Mount** to speed mold changes
- **Economical, Proven Design** for reliability
- **Optional Quick Disconnect Fittings** for convenience and ease of installation

Specifications

Inlet Size	3/4", 1" or 1-1/2"
	NPT(F) standard
	British threads optional
	Contract the factory for special machining requirements
Max . Pressure	150psi (10bar)
Max. Temperature	210°F (99°C)
Body Material	Aluminum
Divider	Stainless Steel
O-Ring	EPDM

© 2012 MOLDERS CHOICE, Inc.



24 Hour Service - 7 Days a week

1-800-809-4623

WebSite: www.molderschoice.com • Email: modlers@molderschoice.com

3/4 SMARTFLOW ALUMINUM MANIFOLDS

Model Number

6SA - 16 - 2 - 3 - AYZ

Supply Threads

NPT
British Parallel
British Taper

6SA
6BSA
6TSA

Total Number of ports 4 to 16

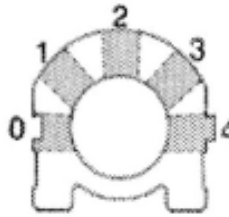
Ports Sizes

1/4" NPT(F)
1/4" BSPP(F)
1/4" BSPT(F)
3/8" NPT(F)
3/8" BSPP(F)
3/8" BSPT(F)

2
2B
2T
3
3B
3T

Ports Locations

0 Left Side
1 Left 45°
2 Center
3 Right 45°
4 Right Side

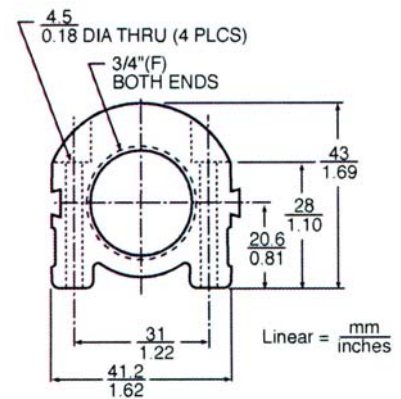


Accessories (add accessory and anodizing designators to the end of the model number as needed.

- A Manifold only
- B Ball Valves and Plain Flowmeters
- H Port Quick Connect Plugs
- J Port Hose Barbs
- X Special (consult the factory)

Anodizing

- Y Red
- Z Blue



Quick delivery is standard for made-to-order manifolds. Please call for availability.

3/4" Manifolds											
Number of Ports	1/4" Ports			Number of Ports	3/8" Ports						
	Model Number	Length in.	Length mm	Weight lbs.	Weight kg	Model Number	Length in.	Length mm	Weight lbs.	Weight kg	
4	6SA-4-2-2	7.5	190	1.1	0.5	4	6SA-4-3-2	9	229	1.4	0.6
6	6SA-6-2-2	10.5	267	1.6	0.7	6	6SA-6-3-2	13	330	2.0	0.9
8	6SA-8-2-2	13.5	343	2.0	0.9	8	6SA-8-3-2	17	432	2.6	1.2

For paired installation, slide manifolds together using dovetail lock along the side of each manifold.

©2012 MOLDERS CHOICE, Inc.



24 Hour Service - 7 Days a week
1-800-809-4623
 WebSite: www.molderschoice.com • Email: molders@molderschoice.com

1" SMARTFLOW ALUMINUM MANIFOLDS

Model Number

SA - 16 - 2 - 3 - AYZ

Supply Threads

NPT
British Parallel
British Taper

SA
BSA
TSA

Total Number of ports

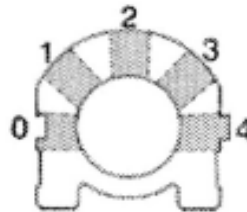
4 to 16

Ports Sizes

1/4" NPT(F)	2
1/4" BSPP(F)	2B
1/4" BSPT(F)	2T
3/8" NPT(F)	3
3/8" BSPP(F)	3B
3/8" BSPT(F)	3T
1/2" NPT(F)	4
1/2" BSPP(F)	4B
1/2" BSPT(F)	4T

Ports Locations

0 Left Side
1 Left 45°
2 Center
3 Right 45°
4 Right Side

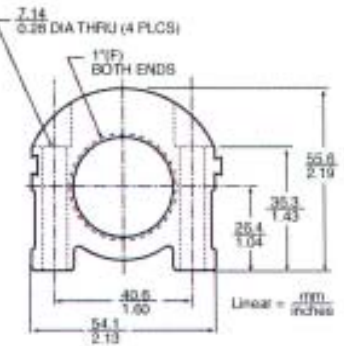


Accessories (add accessory and anodizing designators to the end of the model number as needed.

- A** Manifold only
- B** Ball Valves and Plain Flowmeters
- H** Port Quick Connect Plugs
- J** Port Hose Barbs
- X** Special (consult the factory)

Anodizing

- Y** Red
- Z** Blue



Quick delivery is standard for made-to-order manifolds. Please call for availability.

1" Manifolds							
Number of Ports	1/4" Ports			Number of Ports	3/8" Ports		
	Model Number	Length in.	Weight lbs.		Model Number	Length in.	Weight lbs.
4	SA-4-2-2	7.5	2.0	4	SA-4-3-2	9	1.4
6	SA-6-2-2	10.5	2.8	6	SA-6-3-2	13	2.0
8	SA-8-2-2	13.5	3.6	8	SA-8-3-2	17	2.6
10	SA-8-2-2	16.5	4.5	10	SA-8-2-2	16.5	4.5
12	SA-12-2-2	19.5	5.3	12	SA-12-2-2	19.5	5.3
16	SA-16-2-2	25.5	6.9	16	SA-16-2-2	25.5	6.9

For paired installation, slide manifolds together using dovetail lock along the side of each manifold.



© 2012 MOLDERS CHOICE, Inc.

24 Hour Service - 7 Days a week

1-800-809-4623

WebSite: www.molderschoice.com • Email: molders@molderschoice.com

2" SMARTFLOW INLINE MANIFOLDS

Model Number

A - 16 - 2 - AYZ

Supply Threads
 NPT
 British Parallel
 British Taper

Total Number of ports

Ports Sizes

A
BA
TA

4
to
16

1/2" BSPP(F) **4B**
1/2" BSPT(F) **4T**
3/4" NPT(F) **6**
3/4" BSPP(F) **6B**
3/4" BSPT(F) **6T**
1" NPT(F) **8**
1" BSPP(F) **8B**
1" BSPT(F) **8T**

Accessories (add accessory and anodizing designators to the end of the model number as needed.)

A Manifold only
B Ball Valves and Plain Flowmeters
H Port Quick Connect Plugs
J Port Hose Barbs
X Special (consult the factory)

Anodizing

Y Red
Z Blue

2" Manifolds					
Number of Ports	Model Number	1/2" Ports		Weight	
		in.	mm	lbs.	kg
4	A-4-4	10	254	2.9	2.9
6	A-6-4	14	356	4.1	1.8
8	A-8-4	18	457	5.2	2.4
12	A-12-4	26	660	7.5	3.4
16	A-16-4	34	864	9.9	4.5

Quick delivery is standard for made-to-order manifolds. Please call for availability.

For paired installation, slide manifolds together using dovetail lock along the side of each manifold.



© 2009 MOLDERS CHOICE, Inc.

24 Hour Service - 7 Days a week

1-800-809-4623

WebSite: www.molderschoice.com • Email: molders@molderschoice.com

3/4" DUOFLOW ALUMINUM MANIFOLDS

Model Number

6SA - 16 - 2 - 13 - AYZ

Supply Threads

NPT
British Parallel
British Taper

6SA
6BSA
6TSA

Total Number of ports

4 to 16

Ports Sizes

1/4" NPT(F)
1/4" BSPP(F)
1/4" BSPT(F)

2
2B
2T

13
024

Accessories

A Manifold only
H Port Quick Connect Plugs
J Port Hose Barbs
Quick connect plugs and hose barbs are sized to match the ports. Contact factory if different sizes or options recommended.

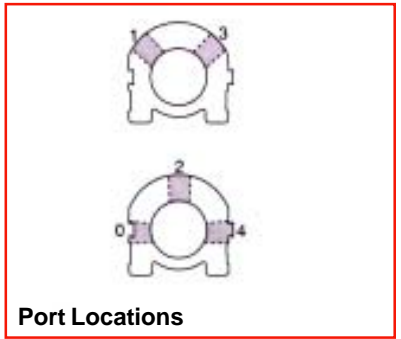
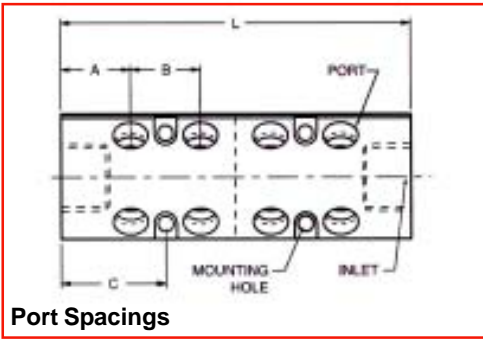
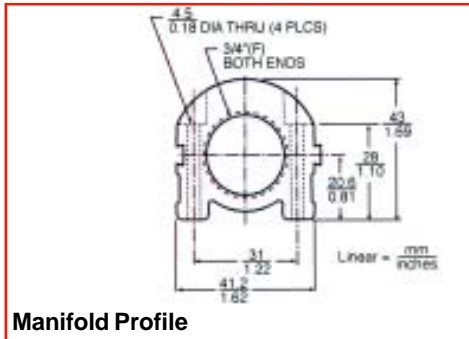
Anodizing

Y Red
Z Blue

Ports Locations

Left & Right 45°
Left, Center & Right

NOTE: For 3/4" and 1" Manifolds, use port location 1 & 3 or 0, 2, & 4 in combination for proper port spacing. See diagram below.



Stocked 3/4" NPT Manifolds										
Model	Port Size	Total Ports	Ports Per End	A	B	C	Length L		Weight	
							mm	in.	kg	lbs.
6SDA-8-2-13-AYZ	1/4"	8	4	25.4mm	25.4mm	38mm	127	5	.3	.75
6SDA-8-2-13-AYZ	NPT	12	6	1"	1"	1.5"	178	7	.5	1.1
6SDA-8-2-13-AYZ		16	8				229	9	.6	1.4

© 2012 MOLDERS CHOICE, Inc.



24 Hour Service - 7 Days a week

1-800-809-4623

WebSite: www.molderschoice.com • Email: molders@molderschoice.com

1" DUOFLOW ALUMINUM MANIFOLDS

8SDA - 16 - 2 - 13 - A YZ

1" Manifolds					
# of Parts	1/4" Ports				
	Model#	Length		Weight	
		in.	mm	lbs.	kg
4	8SA-4-2-2	7.5	190	1.1	0.5
6	8SA-6-2-2	10.5	267	1.6	0.7
8	8SA-8-2-2	13.5	343	2.0	0.9
10	8SA-10-2-2	16.5	419	4.5	2.0
12	8SA-12-2-2	19.5	498	5.3	2.4
16	8SA-16-2-2	25.5	648	6.9	3.1

# of Ports	3/8" Ports				
	Model#	Length		Weight	
		in.	mm	lbs.	kg
4	8SA-4-3-2	9	229	1.4	0.6
6	8SA-6-3-2	13	330	2.0	0.9
8	8SA-8-3-2	17	432	2.6	1.2
10	8SA10-3-2	21	533	5.7	2.6
12	8SA12-3-3	25	635	6.8	3.1
16	8SA16-3-6	33	838	8.9	4.0

Supply Threads
 NPT
 British Parallel
 British Taper

8SDA
8BSDA
8TSDA

Accessories

- A** Manifold only
 - H** Port Quick Connect Plugs
 - J** Port Hose Barbs
- Quick connect plugs and hose barbs are sized to match the ports. Contact factory if different sizes or options are required. Ball valves are not recommended.

Ports

Locations
 Left & Right 45°
 Left, Center & Right

NOTE: For 3/4" and 1" Manifolds, use port locations 1 & 3 or 0, 2, & 4 in combination for proper port spacing. See diagram below.

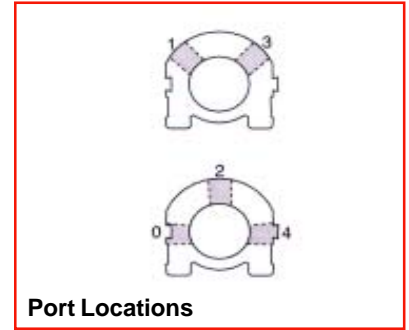
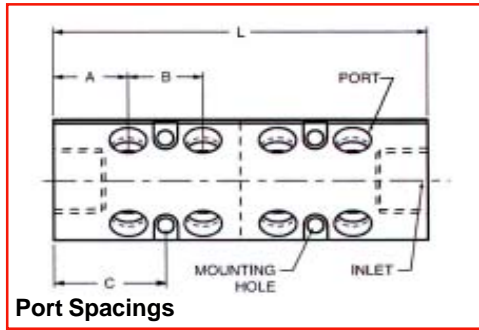
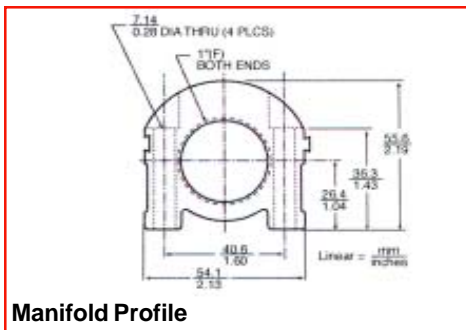
Total Number of ports 4 to 16

Ports Sizes
 1/2" NPT(F)
 1/4" BSPP(F)
 1/4" BSPT(F)

2
2B
2T

Model#	Color	Inlet/Outlet NPT	Port NPT	# of Ports	Price
Single Manifolds					
8SA-4-2-2-AY	Red	1"	1/4"	4	\$ 60.00
8SA-4-2-2-AZ	Blue	1"	1/4"	4	\$ 60.00
8SA-6-2-2-AY	Red	1"	1/4"	6	\$ 75.00
8SA-6-2-2-AZ	Blue	1"	1/4"	6	\$ 75.00
8SA-8-3-2-AY	Red	1"	1/4"	8	\$ 90.00
8SA-8-3-2-AZ	Blue	1"	1/4"	8	\$ 90.00
8SA-10-2-2-AY	Red	1"	1/4"	10	\$105.00
8SA-10-2-2-AZ	Blue	1"	1/4"	10	\$105.00
8SA-12-2-2-AY	Red	1"	1/4"	12	\$120.00
8SA-12-2-2-AZ	Blue	1"	1/4"	12	\$120.00
8SA-16-2-2-AY	Red	1"	1/4"	16	\$180.00
8SA-16-2-2-AZ	Blue	1"	1/4"	16	\$180.00

Model#	Color	Inlet/Outlet NPT	Port NPT	# of PORT	Price
Single Manifolds					
8SA-4-3-2-AY	Red	1"	3/8"	4	\$ 66.00
8SA-4-3-2-AZ	Blue	1"	3/8"	4	\$ 66.00
8SA-6-3-2-AY	Red	1"	3/8"	6	\$ 84.00
8SA-6-2-2-AY	Red	1"	3/8"	4	\$ 84.00
8SA-8-2-2-AZ	Blue	1"	3/8"	4	\$102.00
8SA-8-3-2-AZ	Blue	1"	3/8"	6	\$102.00
8SA-10-3-2-AY	Red	1"	3/8"	8	\$120.00
8SA-10-3-2-AZ	Blue	1"	3/8"	8	\$120.00
8SA-12-3-2-AY	Red	1"	3/8"	10	\$138.00
8SA-12-3-2-AZ	Blue	1"	3/8"	10	\$138.00
8SA-16-3-2-AY	Red	1"	3/8"	12	\$174.00
8SA-16-3-2-AZ	Blue	1"	3/8"	12	\$174.00



Stocked 1" NPT Manifolds								
Model	Port Size	Total Ports	Ports Per End	A	B	C	Length L	Weight
							mm in.	kg lbs.
8SDA-8-2-13AYZ	3/8"	8	4	32mm	32mm	47.6mm	159 6.3	.8 1.7
8SDA-8-2-13AYZ	NPT	12	6	1.25"	1.25"	1.88"	222 8.8	1.1 2.7
8SDA-8-2-13 AYZ		16	8				286 11.3	1.4 3.1

© 2012 MOLDERS CHOICE, Inc.



24 Hour Service - 7 Days a week
1-800-809-4623
 WebSite: www.molderschoice.com • Email: molders@molderschoice.com

1-1/2" DUOFLOW ALUMINUM MANIFOLDS

1-1/2" Manifolds					
# of Parts	Model#	1/4" Ports		Weight	
		Length		lbs.	kg
4	12SA-4-4-2	10	254	4.4	2.0
6	12SA-6-4-2	14	356	6.2	2.8
8	12SA-8-4-2	18	457	7.9	3.6
10	12A-10-4-2	22	559	9.7	4.4
12	12SA-12-4-2	26	660	11.4	5.1
16	12SA-16-4-2	34	864	15.0	6.7

12SDA - 16 - 2 - 13 - A YZ

Supply Threads
 NPT
 British Parallel
 British Taper

12SDA
12BSDA
12TSDA

Total Number of ports **4 to 16**

Accessories
A Manifold only
H Port Quick Connect Plugs
J Port Hose Barbs
 Quick connect plugs and hose barbs are sized to match the ports. Contact factory if different sizes or options are required. Ball valves are not recommended.

Ports Locations
0 Left Side
1 Left 45°
2 Center
3 Right 45°
4 Right Side

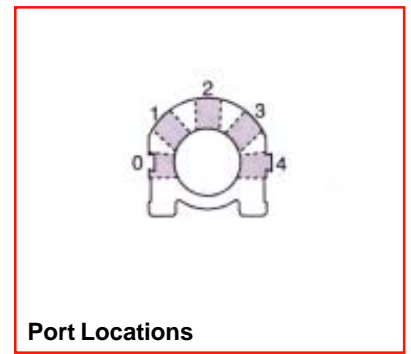
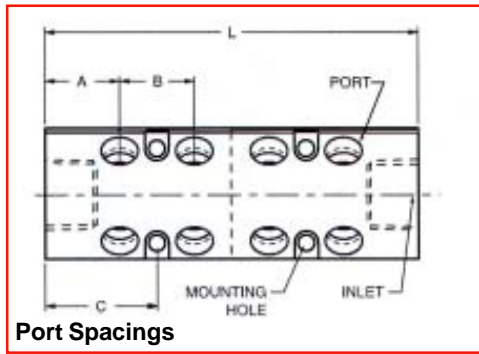
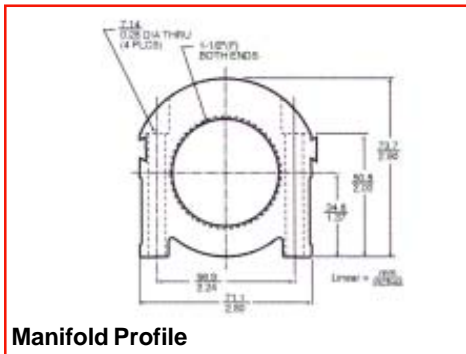
Ports Sizes
 1/2" NPT(F)
 1/4" BSPP(F)
 1/4" BSPT(F)

4
4B
4T

NOTE: For 3/4" and 1" Manifolds, use port location for proper port spacing. See diagram below.

Model#	Color	Inlet/Outlet NPT	Port NPT	# of Ports	Price
Single Manifolds					
12SA-4-4-2-AY	Red	1-1/2"	1/2"	4	\$ 96.00
12SA-4-4-2-AZ	Blue	1-1/2"	1/2"	4	\$ 96.00
12SA-6-4-2-AY	Red	1-1/2"	1/2"	6	\$124.00
12SA-6-4-2-AZ	Blue	1-1/2"	1/2"	6	\$124.00
12SA-8-4-2-AY	Red	1-1/2"	1/2"	8	\$152.00
12SA-8-4-2-AZ	Blue	1-1/2"	1/2"	8	\$152.00

Model#	Color	Inlet/Outlet NPT	Port NPT	# of Ports	Price
Single Manifolds					
12SA-10-4-2-AY	Red	1-1/2"	1/2"	10	\$180.00
12SA-10-4-2-AZ	Blue	1-1/2"	1/2"	10	\$180.00
12SA-12-4-2-AY	Red	1-1/2"	1/2"	12	\$208.00
12SA-12-4-2-AZ	Blue	1-1/2"	1/2"	12	\$208.00
12SA-16-4-2-AY	Red	1-1/2"	1/2"	16	\$264.00
12SA-16-4-2-AZ	Blue	1-1/2"	1/2"	16	\$264.00



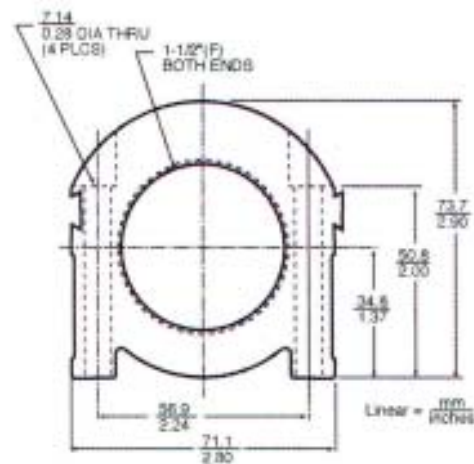
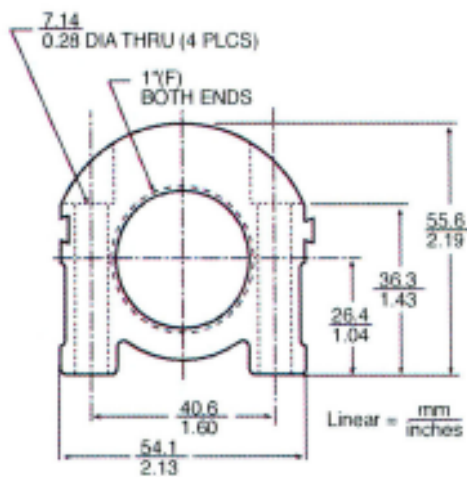
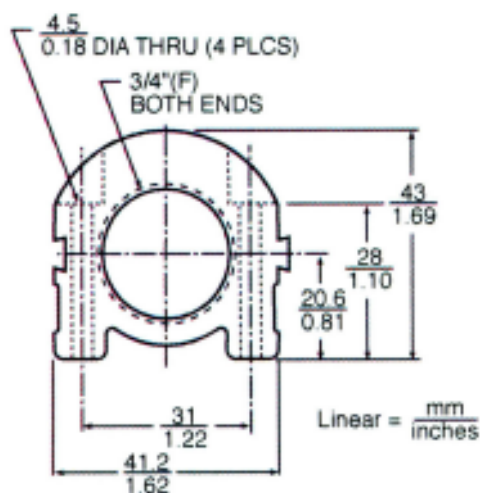
Stocked 1-1/2" NPT Manifolds										
Model	Port Size	Total Ports	Ports Per End	A	B	C	Length L		Weight	
							mm	in.	kg	lbs.
12SDA-8-4-13AYZ	1/2"	8	4	44.5mm	38mm	63.5mm	203	8	1.6	3.5
12SDA-8-4-13AYZ	NPT	12	6	1.75"	1.5"	2.5"	279	11	2.2	4.9
12SDA-8-4-13AYZ		16	8				356	14	2.8	6.2

©2012 MOLDERS CHOICE, Inc.



24 Hour Service - 7 Days a week
1-800-809-4623
 WebSite: www.molderschoice.com • Email: molders@molderschoice.com

2" DUOFLOW ALUMINUM MANIFOLDS



Dimension Chart (inches/mm)				
MANIFOLD SIZE	PORT SIZE	A	B	C
3/4" & 1"	1/8"	1.5" 38.1mm	1.0" 25.4mm	2.0" 50.8mm
	1/4"		1.5" 38.1mm	2.25" 57.2mm
	3/8"		2.0" 50.8mm	2.5" 63.5mm
	1/2"		2.0" 50.8mm	3.0" 76.2mm
1-1/2"	1/4"	1.5" 38.1mm	1.5" 38.1mm	2.5" 63.5mm
	3/8"		2.0" 50.8mm	2.5" 63.5mm
	1/2"	2.0" 50.8mm	2.0" 50.8mm	3.0" 76.2mm
	3/4"		3.0" 76.2mm	3.0" 76.2mm
2"	1/2"	2.0" 50.8mm	76.20mm	76.2mm
	3/4"		2.0" 50.8mm	3.5" 88.9mm
	1"		3.0" 76.2mm	1.0" 25.4mm

© 2009 MOLDERS CHOICE, Inc.



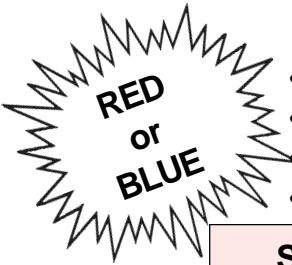
MOLDERS CHOICE, INC.

24 Hour Service - 7 Days a week
1-800-809-4623
 WebSite: www.molderschoice.com • Email: molders@molderschoice.com

STEEL WATER MANIFOLDS

The only steel manifolds color coded for hot and cold plumbing

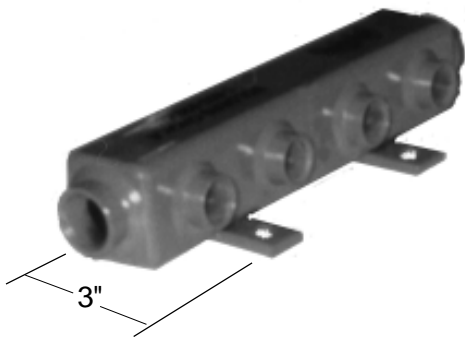
LOW COST - ECONOMY MODELS



- High quality, robotically welded steel
- Pressure tested by Air @100 psi
- High visibility Red or Blue
- Compact mounting

- 2 Styles available: Straight or Split
- 2" x 2" Steel tubing
- 3/4" NPT Inlet/Outlet main supply
- 1/2" NPT Inlet/Outlet mold supply ports (2-1/2" between centers)

Straight Through



4 Port

Part # **ST4**
\$50.00

OAL: 14"

Add "B" (Blue) or
"R" (Red)
after part number

Split In/Out

RED and BLUE



4 Port

(2 in - 2 out)

Part # **SP422**
\$65.00

OAL: 14"



6 Port

Part # **ST6**
\$60.00

OAL: 20"

Add "B" (Blue) or
"R" (Red)
after part number



6 Port

(3 in - 3 out)

Part # **SP633**
\$75.00

OAL: 20"



8 Port

Part # **ST8**
\$75.00

OAL: 26"

Add "B" (Blue) or
"R" (Red)
after part number



8 Port

(4 in - 4 out)

Part # **SPL844**
\$108.00

OAL: 26"

© 2014 MOLDERS CHOICE, Inc.

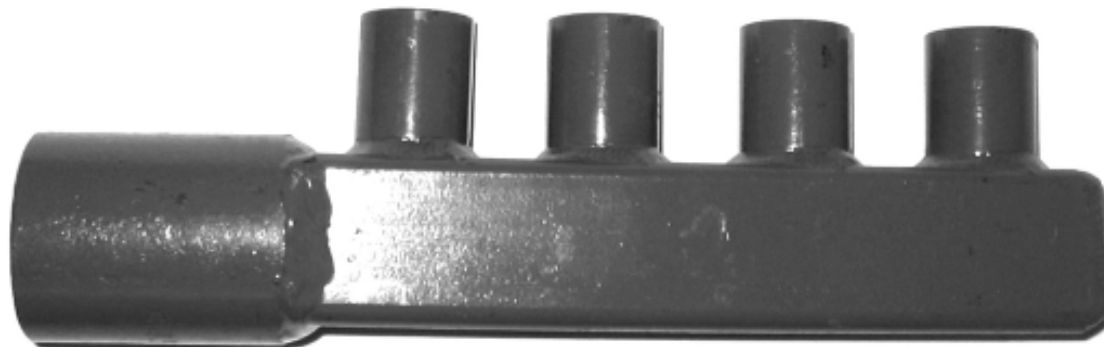
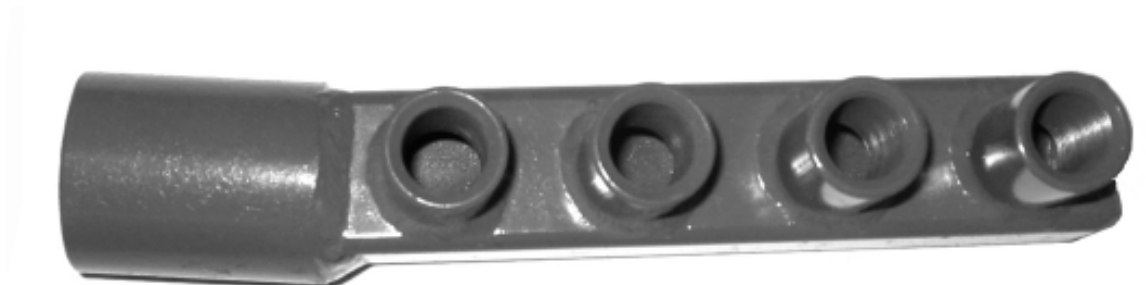
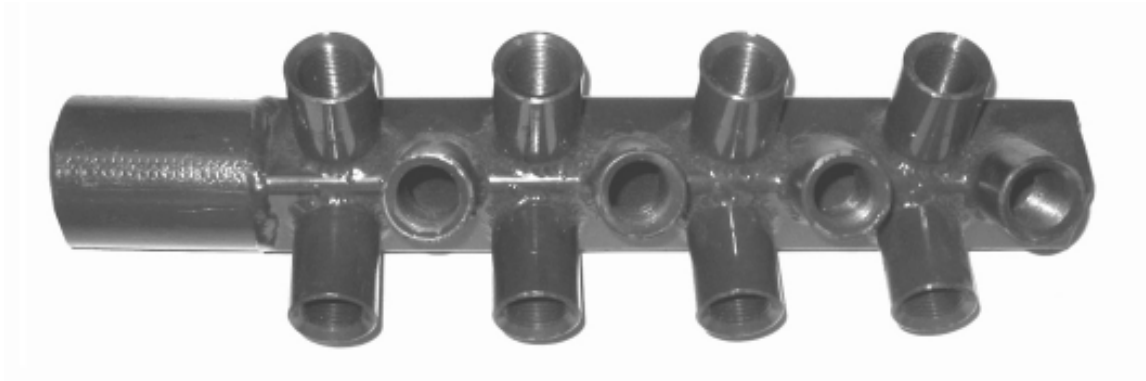


24 Hour Service - 7 Days a week
1-800-809-4623
WebSite: www.molderschoice.com • Email: molders@molderschoice.com

CUSTOM MANIFOLDS

Custom manifolds made to ORDER in 7 days
Below are a few of the hundreds of variations
made for Customer's World Wide.

Call, Fax or E-mail us your requirements for a quick QUOTE!



© 2009 MOLDERS CHOICE, Inc.



24 Hour Service - 7 Days a week

1-800-809-4623

WebSite: www.molderschoice.com

E-mail: molders@molderschoice.com

MOLD WATER FLOW MONITORS

An valuable aid to confirm, mold water flow

2 Styles Available



ST-01
Flow
Indicator
Only



ST-02
Flow & Temperature
Indicator



- Indicates flow using Red Indicating Float
- Prevents Reverse Flow
- Easy Installation
- Good to 250°F
- Can be supplied with disconnects to quickly snap into line

MODEL	ST-01 Indicator Only	ST-02 with Temperature gauge
Measuring Objects	Water, oil	Water, oil
Max. Flow range	2.64 GPM	2.64 GPM
Length	3.18"	4.33"
O.D.	1"	1"
Max. Pressure	140 PSI	140 PSI
Temperature Range	32°F to 250°F	32°F to 250°F
Mounting	Vertical or horizontal	Vertical or horizontal
Connection Size	3/8"NPT	3/8"NPT
Material	Brass	Brass
PRICES		

© 2014 MOLDERS CHOICE, Inc.

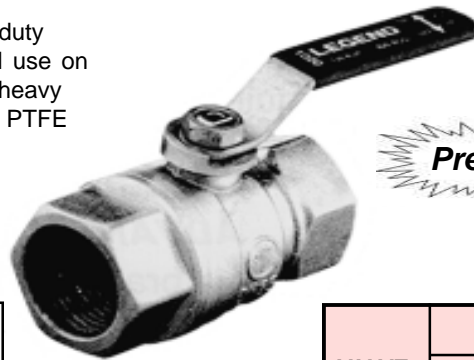


24 Hour Service - 7 Days a week
1-800-809-4623
 WebSite: www.molderschoice.com • Email: molders@molderschoice.com

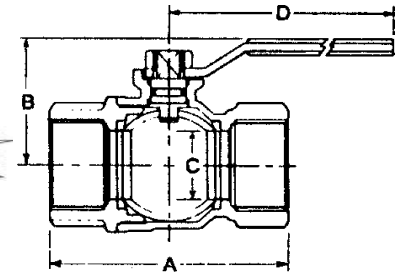
FORGED BRASS BALL VALVES

FULL PORT - MAXIMUM FLOW

Ball valves are constructed of heavy duty forged brass, designed for industrial use on steam, water, oil and gas. The extra heavy duty bottom-loaded stem use both a PTFE washer and a viton o-ring.



Premium



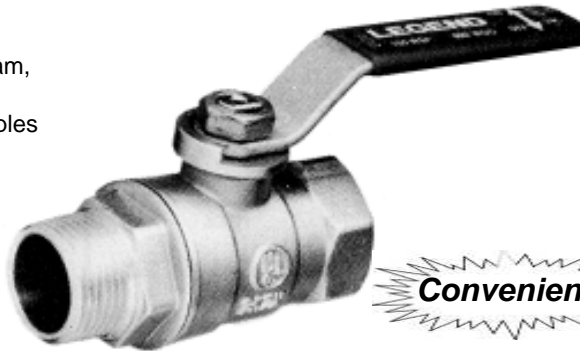
MATERIAL SPECIFICATION	
PART	MATERIAL
HANDLE NUT	COATED STEEL
HANDLE	COATED STEEL
STEM PACKING	PTFE
O-RING	VITON
THRUST WASHER	PTFE
STEM	BRASS
BALL	CHROME PLATED BRASS
SEATS	PTFE
BODY	FORGED BRASS
END ADAPTER	FORGED BRASS

PRESSURE RATING
1/4" - 1-1/4" 500 lbs. W.O.G.
All sizes rated at W.S.P.

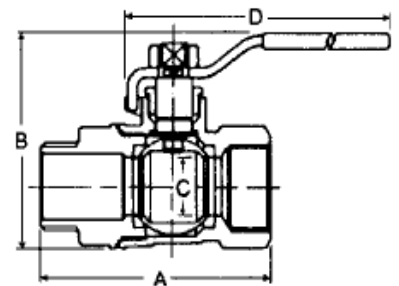
VALVE PART #	SIZE	DIMENSIONS IN INCHES				PRICE
		A (I.P.S.)	B	C	D	
BV14	1/4"	1.77	1.28	0.39	3.07	\$8.65
BV38	3/8"	1.77	1.28	0.39	3.07	\$8.65
BV12	1/2"	2.08	1.42	0.59	3.07	\$9.00
BV34	3/4"	2.35	1.87	0.79	3.78	\$10.50
BV100	1"	2.01	2.20	0.98	3.78	\$12.60
BV114	1-1/4"	3.28	2.22	1.26	3.78	\$28.00

MALE X FEMALE LARGE PORT - EXCELLENT FLOW

Designed for industrial use on steam, water, oil or gas.
ELIMINATES the need for pipe nipples on manifolds.



Convenient



MATERIAL SPECIFICATION	
PART	MATERIAL
HANDLE NUT	COATED STEEL
HANDLE	COATED STEEL
PACKING NUT	BRASS
STEM PACKING	PTFE
THRUST WASHER	PTFE
STEM	BRASS
BALL	CHROME PLATED BRASS
SEATS	PTFE
BODY	FORGED BRASS
END ADAPTER	FORGED BRASS

PRESSURE RATING
1/4" 400 W.O.G. NON-SHOCK
3/8" - 3/4"
600 W.O.G. NON-SHOCK
1" 500 W.O.G. NON-SHOCK
All sizes rated at 150 W.S.P.

VALVE PART #	SIZE	DIMENSIONS IN INCHES				PRICE
		A (I.P.S.)	B	C	D	
MFBV14	1/4"	1.88	1.02	0.32	1.65	\$7.70
MFBV38	3/8"	1.94	1.50	0.39	3.06	\$12.20
MFBV12	1/2"	2.23	1.58	0.50	3.06	\$11.50
MFBV34	3/4"	2.55	1.91	0.69	3.81	\$18.50
MFBV100	1"	3.05	2.07	0.89	3.81	\$27.50

© 2014 MOLDERS CHOICE, Inc.



24 Hour Service - 7 Days a week

1-800-809-4623

WebSite: www.molderschoice.com • Email: molders@molderschoice.com

ST-SERIES COUPLERS & PLUGS

Straight-through design yields maximum flow.



Each ST-Series Socket is equipped with a Buna-N O-Ring. Other O-ring compounds are available to handle a wide variety of liquids and gases.

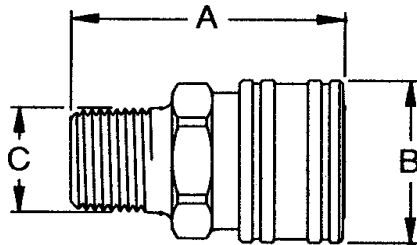
Features:

- Smooth bore permits free flow.
- Any plug and socket from the same series, regardless of end connections, fit together to make coupling assembly.

All ST couplings are interchangeable with Parker, Foster, Tomco and others.

Sockets – Male End Connections

Brass, without Shut-Off Valves

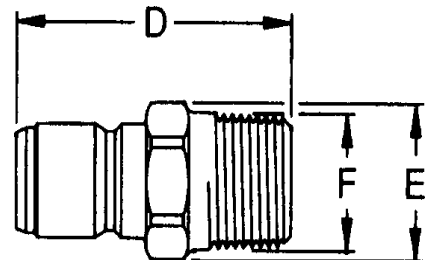


PART #	MALE THRD SIZE	DIMENSIONS (INCHES)			PRICES
		A	B	C	
1-S10	1/8" NPT	1.06	0.69	0.50	\$5.00
2-S15	1/4" NPT	1.72	0.94	0.81	\$5.35
3-S20	3/8" NPT	1.75	1.13	1.00	\$6.00
4-S25	1/2" NPT	2.03	1.31	1.13	\$7.75
6-S30	3/4" NPT	2.22	1.69	1.44	\$12.00
8-S35	1" NPT	2.53	2.00	1.75	\$21.30

PART #	MALE THRD SIZE	DIMENSIONS (INCHES)			PRICES
		D	E	F	
B1-T10	1/8" NPT	1.09	0.50	0.44	\$3.30
B1-T15	1/4" NPT	1.25	0.66	0.56	\$3.40
B2-T15	1/4" NPT	1.61	0.66	0.56	\$3.70
B3-T20	3/8" NPT	1.69	0.80	0.69	\$3.88
B4-T25	1/2" NPT	2.03	1.02	0.88	\$4.45
B6-T30	3/4" NPT	2.25	1.23	1.06	\$6.10
B8-T35	1" NPT	2.53	1.59	1.38	\$8.75
B10-T40	1-1/4" NPT	2.72	2.03	1.75	\$21.10
B12-T45	1-1/2" NPT	3.31	2.59	2.25	\$27.50
B16-T50	2" NPT	3.50	3.17	2.75	\$53.50

Plugs – Male End Connections

Brass, without Shut-Off Valves



©2014 MOLDERS CHOICE, Inc.

24 Hour Service - 7 Days a week

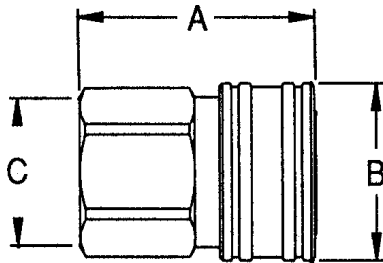
1-800-809-4623

WebSite: www.molderschoice.com • Email: molders@molderschoice.com

ST-SERIES COUPLERS & PLUGS

Sockets – Female End Connections

Brass, without Shut-Off Valves



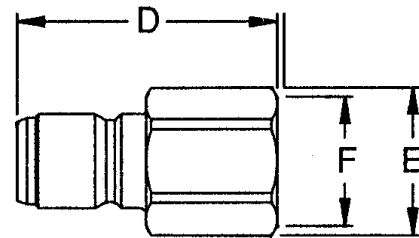
C = Across Flats

PART #	FEMALE THRD SIZE	DIMENSIONS (INCHES)			PRICES
		A	B	C	
1-S11	1/8" NPT	1.06	0.69	0.50	\$5.00
2-S16	1/4" NPT	1.50	0.94	0.81	\$5.38
3-S21	3/8" NPT	1.59	1.13	1.00	\$6.00
4-S26	1/2" NPT	1.91	1.31	1.13	\$7.59
6-S31	3/4" NPT	2.06	1.69	1.44	\$14.30
8-S36	1" NPT	2.31	2.00	1.75	\$16.00
10-S41	1-1/4" NPT	2.44	2.50	2.00	\$49.70
12-S46	1-1/2" NPT	2.88	3.13	2.56	\$52.50
16-S51	2" NPT	3.09	3.75	3.00	\$96.70
20-S56	2-1/2" NPT	3.44	4.50	3.50	\$100.00

PART #	FEMALE THRD SIZE	DIMENSIONS (INCHES)			PRICES
		D	E	F	
B1-T11	1/8" NPT	1.00	0.57	0.50	\$3.29
B2-T16	1/4" NPT	1.50	0.80	0.69	\$3.85
B3-T21	3/8" NPT	1.63	0.94	0.81	\$4.00
B4-T26	1/2" NPT	1.94	1.16	1.00	\$4.70
B6-T31	3/4" NPT	2.06	1.39	1.19	\$6.50
B8-T36	1" NPT	2.25	1.81	1.56	\$9.00
B10-T41	1-1/4" NPT	2.34	2.31	2.00	\$17.00
B12-T46	1-1/2" NPT	2.88	2.59	2.25	\$32.40
B16-T51	2" NPT	3.03	3.17	2.75	\$50.50
B20-T56	2-1/2" NPT	3.37	3.75	3.25	\$52.50

Plugs – Female End Connections

Brass, without Shut-Off Valves

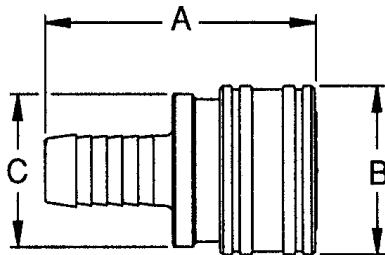


F = Across Flats

E = Across Corners

Sockets – Hose Stem Connections

Brass, without Shut-Off Valves



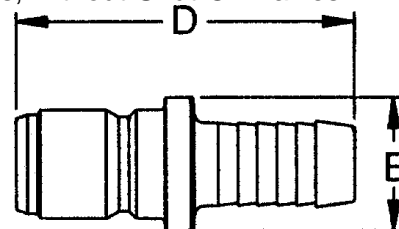
C = Across Flats

PART #	HOSE SIZE	DIMENSIONS (INCHES)			PRICES
		A	B	C	
1-S12	3/16" HS	1.41	0.69	0.50	\$6.00
1-S17	1/4" HS	1.41	0.69	0.50	\$6.00
2-S17	1/4" HS	2.13	0.94	0.88	\$7.00
3-S22	3/8" HS	2.31	1.13	1.06	\$7.15
4-S27	1/2" HS	2.66	1.31	1.19	\$9.30
6-S32	3/4" HS	2.81	1.63	1.50	\$16.00
8-S37	1" HS	2.94	2.00	1.81	\$24.50

PART #	HOSE SIZE	DIMENSIONS (INCHES)		PRICES
		D	E	
B1-T12	3/16" HS	1.31	0.44	\$5.00
B1-T17	1/4" HS	1.31	0.44	\$6.25
B2-T17	1/4" HS	1.98	0.56	\$7.75
B3-T22	3/8" HS	2.31	0.69	\$7.00
B4-T27	1/2" HS	2.66	0.88	\$7.10
B6-T32	3/4" HS	2.84	1.19	\$8.80
B8-T37	1" HS	2.94	1.50	\$16.20

Plugs – Hose Stem Connections

Brass, without Shut-Off Valves



©2014 MOLDERS CHOICE, Inc.

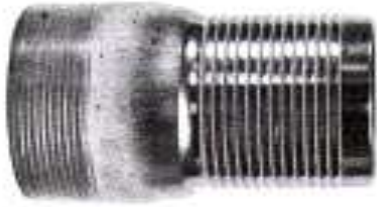


24 Hour Service - 7 Days a week

1-800-809-4623

WebSite: www.molderschoice.com • Email: molders@molderschoice.com

BRASS BUSHING, PLUGS AND ELBOWS



**Brass "KING"
Combination Nipples**

SIZE	PART #	PRICE
1/2"	BST1	\$8.78
3/4"	BST5	\$11.06
1"	BST10	\$15.20
1-1/4"	BST15	\$19.95
1-1/2"	BST20	\$19.50
2"	BST25	\$35.95
2-1/2"	BST30	\$33.53
3"	BST35	\$46.40
4"	BST40	\$88.75



90 Degree Bar Stock Elbow

NPT	PART #	PRICE
1/4" x 1/4"	BBE14	\$2.00
3/8" x 3/8"	BBE38	\$2.50
1/2" x 1/2"	BBE12	\$3.00
3/4" x 3/4"	BBE34	\$5.69

Brass Reducer Bushings Male / Female



SIZE	PART #	PRICE
1/4" X 1/8"	RB01418	\$1.60
3/8" X 1/8"	RB03818	\$2.85
3/8" X 1/4"	RB03814	\$2.85
1/2" X 3/8"	RB01238	\$3.00
1/2" X 1/4"	RB01214	\$3.00
1/2" X 1/8"	RB01218	\$3.23
3/4" X 1/8"	RB03418	\$4.55
3/4" X 1/4"	RB03414	\$4.44
3/4" X 3/8"	RB03438	\$4.44
3/4" X 1/2"	RB03450	\$2.44
1" X 1/2"	RB10050	\$4.50
1" X 3/4"	RB10034	\$4.74
1-1/4" X 1"	RB125100	\$9.05
1-1/2" X 3/4"	RB15075	\$8.01
1-1/2" x 1"	RB150100	\$7.81

Brass Pressure Plugs (Flush Mount)



NPT	PART #	A	PRICE
1/8"	BPP18	.250	\$.20
1/4"	BPP14	.250	\$.27
3/8"	BPP38	.394	\$.44
1/2"	BPP12	.521	\$.74
3/4"	BPP34	.524	\$1.95
1"	BPP100	.655	\$3.00
1-1/4"	BPP114	.655	\$5.75
1-1/2"	BPP112	.655	\$9.40
2"	BPP200	.665	\$12.00



©2014 MOLDERS CHOICE, Inc.

24 Hour Service - 7 Days a week
1-800-809-4623
 WebSite: www.molderschoice.com E-mail: molders@molderschoice.com