

# 3/4 SMARTFLOW ALUMINUM MANIFOLDS

Model Number

**6SA - 8 - 3 - 2 - Y**

**Supply Threads**  
 NPT  
 British Parallel  
 British Taper

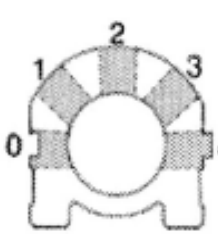
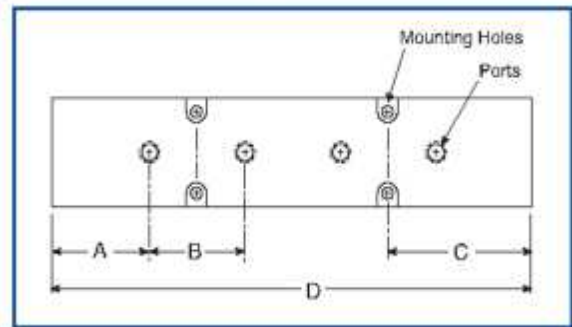
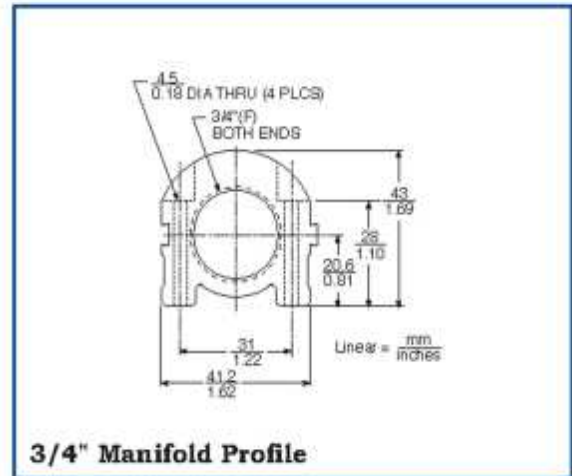
**6SA**  
**6BSA**  
**6TSA**

**Total Number of ports**      **4 to 16**

**Port Sizes**  
 1/4" NPT(F)      **2**  
 1/4" BSPP(F)      **2B**  
 1/4" BSPT(F)      **2T**  
 3/8" NPT(F)      **3**  
 3/8" BSPP(F)      **3B**  
 3/8" BSPT(F)      **3T**

**Anodizing**  
 Y Red  
 Z Blue

**Port Locations**  
 0 Left Side  
 1 Left 45°  
 2 Center  
 3 Right 45°  
 4 Right Side

Quick delivery is standard for made-to-order manifolds.  
 Please call for availability.

Quick ship stock 3/4" Manifolds									
Number of Ports	1/4" Ports				Number of Ports	3/8" Ports			
	Model Number	Length in.	Length mm	Weight lbs. kg		Model Number	Length in.	Length mm	Weight lbs. kg
4	6SA-4-2-2	7.5	190	1.1 0.5	4	6SA-4-3-2	9	229	1.4 0.6
6	6SA-6-2-2	10.5	267	1.6 0.7	6	6SA-6-3-2	13	330	2.0 0.9
8	6SA-8-2-2	13.5	343	2.0 0.9	8	6SA-8-3-2	17	432	2.6 1.2

For paired installation, slide manifolds together using dovetail lock along the side of each manifold.

© 2017 MOLDERS CHOICE, Inc.



**24 Hour Service - 7 Days a week**  
**1-800-809-4623**  
 WebSite: [www.molderschoice.com](http://www.molderschoice.com) • Email: [molders@molderschoice.com](mailto:molders@molderschoice.com)

# 1" SMARTFLOW ALUMINUM MANIFOLDS

Model Number

**8SA - 16 - 2 - 3 - Y**

**Supply Threads**

NPT  
British Parallel  
British Taper

**SA**  
**BSA**  
**TSA**

**Total Number of ports**

**4 to 16**

**Ports Size**

1/4" NPT(F)  
1/4" BSPP(F)  
1/4" BSPT(F)  
3/8" NPT(F)  
3/8" BSPP(F)  
3/8" BSPT(F)  
1/2" NPT(F)  
1/2" BSPP(F)  
1/2" BSPT(F)

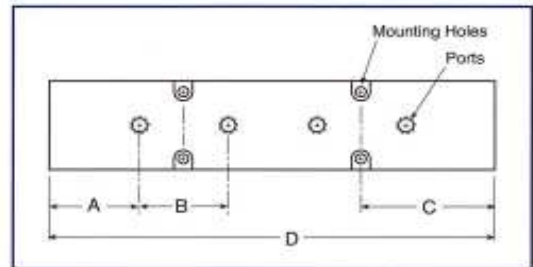
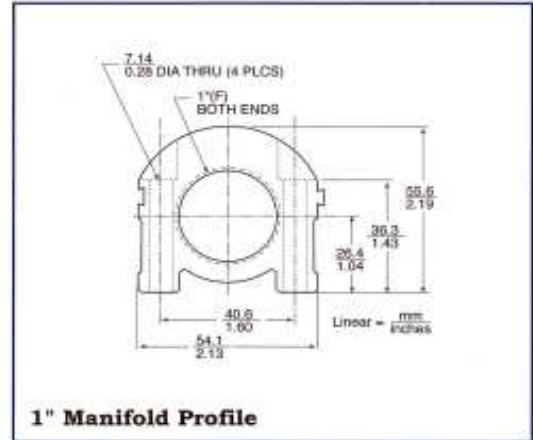
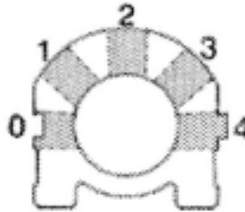
**2**  
**2B**  
**2T**  
**3**  
**3B**  
**3T**  
**4**  
**4B**  
**4T**

**Anodizing**

**Y** Red  
**Z** Blue

**Port Locations**

**0** Left Side  
**1** Left 45°  
**2** Center  
**3** Right 45°  
**4** Right Side



Quick delivery is standard for made-to-order manifolds.  
Please call for availability.

Quick ship stock 1" Manifolds							
Number of Ports	1/4"			Number of Ports	3/8"		
	Model Number	Length in.	Weight lbs.		Model Number	Length in.	Weight lbs.
4	8SA-4-2-2	7.5	2.0	4	8SA-4-3-2	9	1.4
6	8SA-6-4-2	10.5	2.8	6	8SA-6-3-2	13	2.0
8	8SA-8-4-2	13.5	3.6	8	8SA-8-3-2	17	2.6
10	8SA-8-2-2	16.5	4.5	10	8SA-10-3-2	16.5	4.5
12	8SA-12-4-2	19.5	5.3	12	8SA-12-3-2	19.5	5.3
16	8SA-16-4-2	25.5	6.9	16	8SA-16-3-2	25.5	6.9

For paired installation, slide manifolds together using dovetail lock along the side of each manifold.



©2017 MOLDERS CHOICE, Inc.

**24 Hour Service - 7 Days a week**  
**1-800-809-4623**  
WebSite: [www.molderschoice.com](http://www.molderschoice.com) • Email: [molders@molderschoice.com](mailto:molders@molderschoice.com)

# 1-1/2" SMARTFLOW ALUMINUM MANIFOLDS

Model Number

**12SA - 16 - 4 - 3 - Y**

**Supply Threads**

NPT  
British Parallel  
British Taper

**12SA**  
**12BSA**  
**12TSA**

**Anodizing**

Y Red  
Z Blue

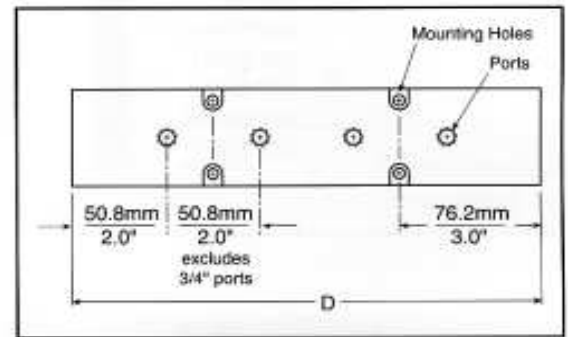
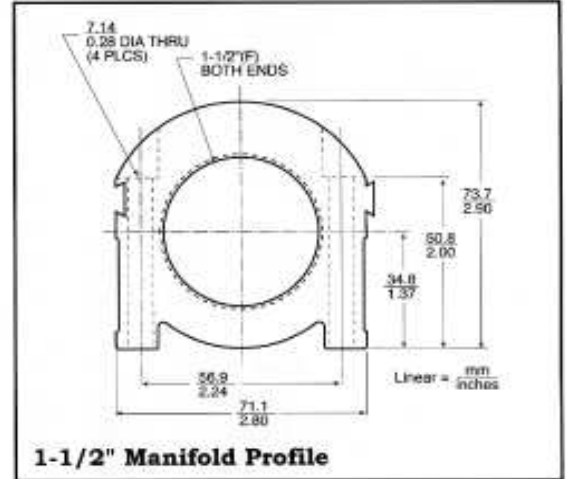
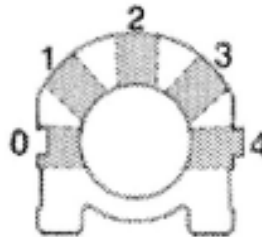
**Ports Locations**

0 Left Side  
1 Left 45°  
2 Center  
3 Right 45°  
4 Right Side

**Total Number of ports**      **4 to 16**

**Ports Size**

3/8" NPT(F)      **3**  
3/8" BSPP(F)    **3B**  
3/8" BSPT(F)    **3T**  
1/2" NPT(F)      **4**  
1/2" BSPP(F)     **4B**  
1/2" BSPT(F)     **4T**  
3/4" NPT(F)      **6**  
3/4" BSPP(F)     **6B**  
3/4" BSPT(F)     **6T**



Quick ship stock 1-1/2" Manifolds					
Number of Ports	Model Number	1/2" Ports		Weight	
		in.	mm	lbs.	kg
4	12SA-4-2-2	10	254	4.4	2.0
6	12SA-6-4-2	14	356	6.2	2.8
8	12SA-8-4-2	18	457	7.9	3.6
10	12SA-10-4-2	22	559	9.7	3.6
12	12SA-12-4-2	26	660	11.4	5.1
16	12SA-16-4-2	34	864	15.0	6.7

Quick delivery is standard for made-to-order manifolds. Please call for availability.

For paired installation, slide manifolds together using dovetail lock along the side of each manifold.



**24 Hour Service - 7 Days a week**  
**1-800-809-4623**  
WebSite: [www.molderschoice.com](http://www.molderschoice.com) • Email: [molders@molderschoice.com](mailto:molders@molderschoice.com)

# 2" SMARTFLOW INLINE MANIFOLDS

Model Number

**16SA - 16 - 4 - 2 - Y**

**Supply Threads**

NPT  
British Parallel  
British Taper

**A**  
**BA**  
**TA**

**Anodizing**

**Y** Red  
**Z** Blue

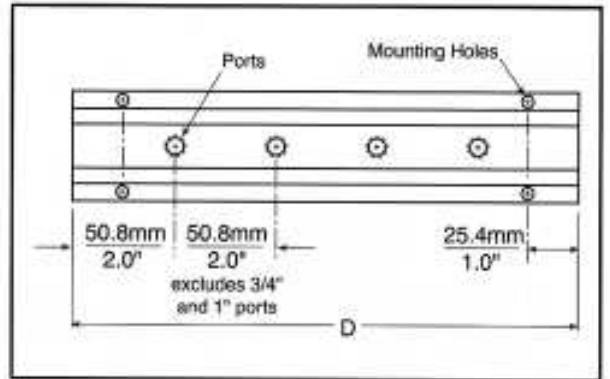
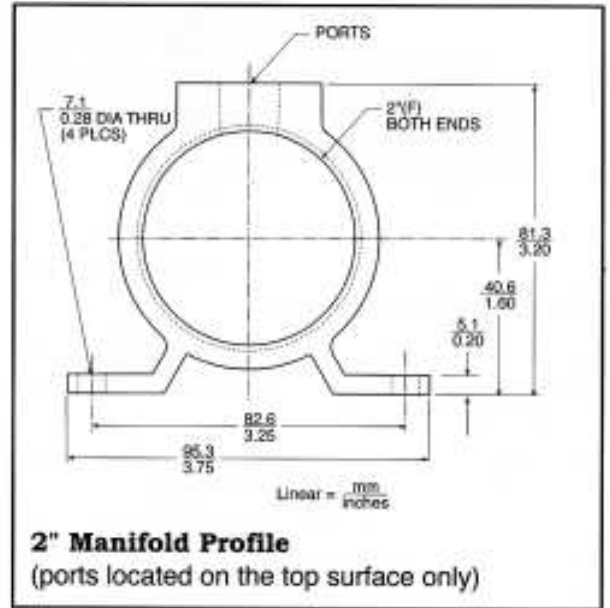
**Port Locations**  
Center

**2**

**Total Number of ports**

**4 to 16**

**Ports Size**  
1/2" BSPP(F) **4B**  
1/2" BSPT(F) **4T**  
3/4" NPT(F) **6**  
3/4" BSPP(F) **6B**  
3/4" BSPT(F) **6T**  
1" NPT(F) **8**  
1" BSPP(F) **8B**  
1" BSPT(F) **8T**



Quick ship stock 2" Manifolds					
Number of Ports	1/2" Ports				
	Model Number	Length in.	Length mm	Weight lbs.	Weight kg
4	16SA-4-4-2	10	254	2.9	2.9
6	16SA-6-4-2	14	356	4.1	1.8
8	16SA-8-4-2	18	457	5.2	2.4
12	16SA-12-4-2	26	660	7.5	3.4
16	16SA-16-4-2	34	864	9.9	4.5

Quick delivery is standard for made-to-order manifolds. Please call for availability.

For paired installation, slide manifolds together using dovetail lock along the side of each manifold.

© 2017 MOLDERS CHOICE, Inc.



**24 Hour Service - 7 Days a week**  
**1-800-809-4623**  
WebSite: [www.molderschoice.com](http://www.molderschoice.com) • Email: [molders@molderschoice.com](mailto:molders@molderschoice.com)

# 3/4" DUOFLOW ALUMINUM MANIFOLDS

Model Number

## 6SDA - 16 - 2 - 13 - YZ

**Supply Threads**  
 NPT  
 British Parallel  
 British Taper

**6SA**  
**6BSA**  
**6TSA**

**Total Number of ports**

**4 to 16**

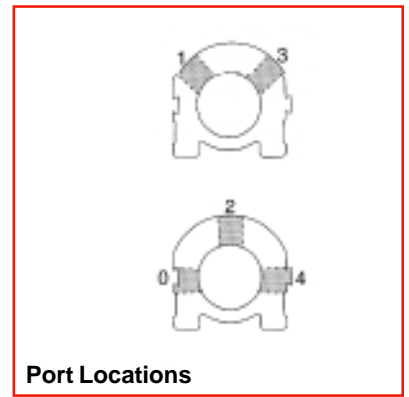
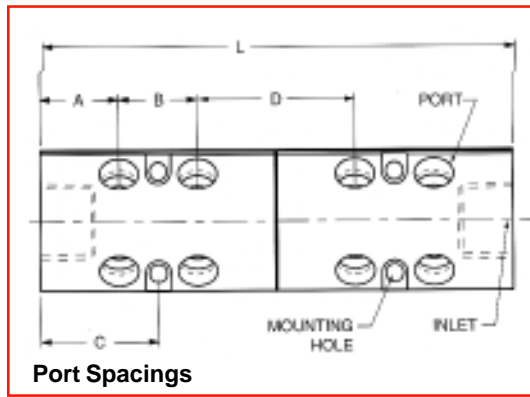
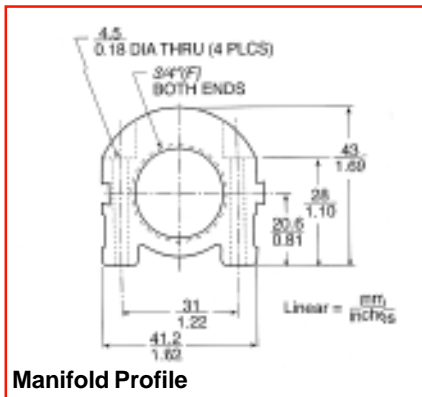
**Ports Size**  
 1/4" NPT(F)  
 1/4" BSPP(F)  
 1/4" BSPT(F)

**2**  
**2B**  
**2T**

**13**  
**024**

**Port Locations**  
 Left & Right 45°  
 Left, Center & Right

**NOTE:** For 3/4" and 1" Manifolds, use port location 1 & 3 or 0, 2, & 4 in combination for proper port spacing. See diagram below.



Stocked 3/4" NPT Manifolds											
Model	Port Size	Total Ports	Ports Per End	A	B	C	D	Length L		Weight	
								mm	in.	kg	lbs.
6SDA-8-2-13-YZ	1/4"	8	4	25.4mm	25.4mm	38mm	57.2mm	127	5	.3	.75
6SDA-12-2-13-YZ	NPT	12	6	1"	1"	1.5"	2.25"	178	7	.5	1.1
6SDA-16-2-13-YZ		16	8					229	9	.6	1.4

© 2017 MOLDERS CHOICE, Inc.



**24 Hour Service - 7 Days a week**  
1-800-809-4623  
 WebSite: [www.molderschoice.com](http://www.molderschoice.com) • Email: [molders@molderschoice.com](mailto:molders@molderschoice.com)

# 1" DUOFLOW ALUMINUM MANIFOLDS

Model Number

## 8SDA - 16 - 3 - 13 - YZ

**Supply Threads**

NPT  
British Parallel  
British Taper

**6SA**  
**6BSA**  
**6TSA**

**Total Number of ports**

**4 to 16**

**Ports Size**

1/4" NPT(F)  
1/4" BSPP(F)  
1/4" BSPT(F)  
3/8" NPT(F)  
3/8" BSPP(F)  
3/8" BSPT(F)

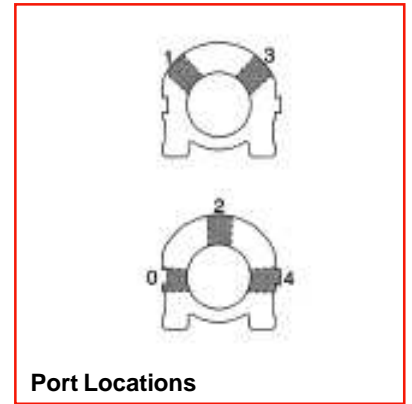
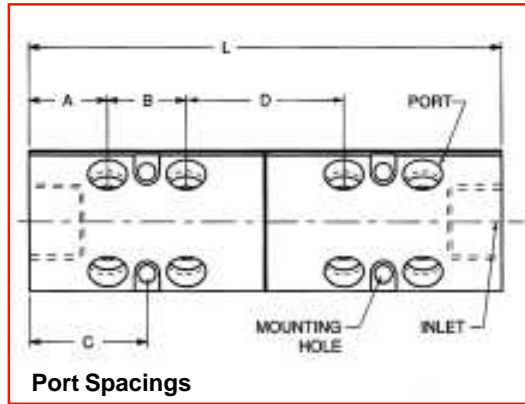
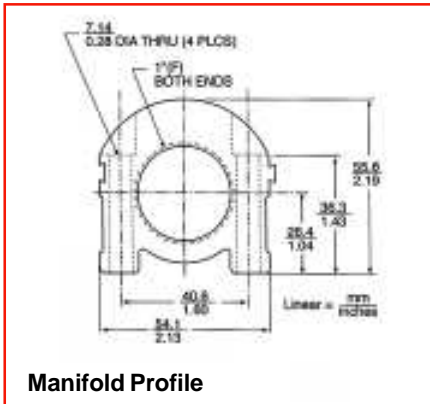
**2**  
**2B**  
**2T**  
**3**  
**3B**  
**3T**

**13**  
**024**

**Port Locations**

Left & Right 45°  
Left, Center & Right

**NOTE:** For 3/4" and 1" Manifolds, use port location 1 & 3 or 0, 2, & 4 in combination for proper port spacing. See diagram below.



Stocked 1" NPT Manifolds											
Model	Port Size	Total Ports	Ports Per End	A	B	C	D	Length L		Weight	
								mm	in.	kg	lbs.
8SDA-8-3-13YZ	3/8"	8	4	32mm	32mm	47.6mm	57.2mm	159	6.3	.8	1.7
8SDA-12-3-13YZ	NPT	12	6	1.25"	1.25"	1.88"	2.25"	222	8.8	1.1	2.7
8SDA-16-3-13YZ		16	8					286	11.3	1.4	3.1

© 2017 MOLDERS CHOICE, Inc.



**24 Hour Service - 7 Days a week**  
1-800-809-4623  
 WebSite: [www.molderschoice.com](http://www.molderschoice.com) • Email: [molders@molderschoice.com](mailto:molders@molderschoice.com)

# 1-1/2" DUOFLOW ALUMINUM MANIFOLDS

Model Number

## 12SDA - 16 - 4 - 13 - YZ

**Supply Threads**  
 NPT  
 British Parallel  
 British Taper

**6SA**  
**6BSA**  
**6TSA**

**Total Number of ports**

4  
to  
16

**Port Locations**

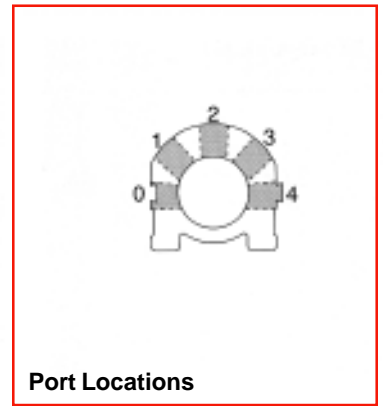
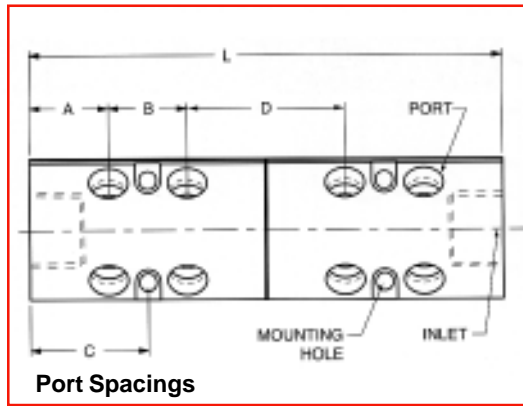
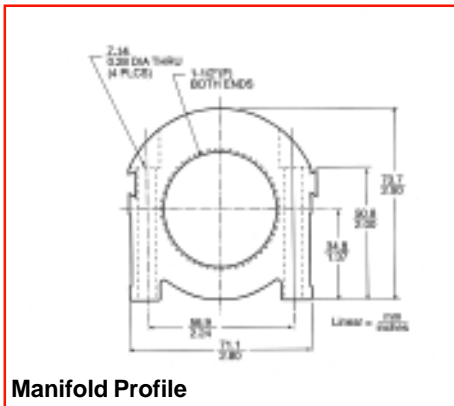
Left & Right 45°  
 Left, Center & Right

**Ports Size**

3/8" NPT(F)      **3**  
 3/8" BSPP(F)    **3B**  
 3/8" BSPT(F)    **3T**  
 1/2" NPT(F)      **4**  
 1/2" BSPP(F)     **4B**  
 1/2" BSPT(F)     **4T**

**13**  
**024**

**NOTE:** For 3/4" and 1" Manifolds, use port location 1 & 3 or 0, 2, & 4 in combination for proper port spacing. See diagram below.



### Stocked 1-1/2" NPT Manifolds

Model	Port Size	Total Ports	Ports Per End	A	B	C	D	Length L		Weight	
								mm	in.	kg	lbs.
12SDA-8-4-13YZ	1/2"	8	4	44.5mm	38mm	63.5mm	63.5mm	203	8	1.6	3.5
12SDA-12-4-13YZ	NPT	12	6	1.75"	1.5"	2.5"	2.5"	279	11	2.2	4.9
12SDA-16-4-13YZ		16	8					356	14	2.8	6.2

© 2017 MOLDERS CHOICE, Inc.



24 Hour Service - 7 Days a week

## 1-800-809-4623

WebSite: [www.molderschoice.com](http://www.molderschoice.com) • Email: [molders@molderschoice.com](mailto:molders@molderschoice.com)

# 2" DUOFLOW ALUMINUM MANIFOLDS

Model Number

A - 16 - 2 - YZ

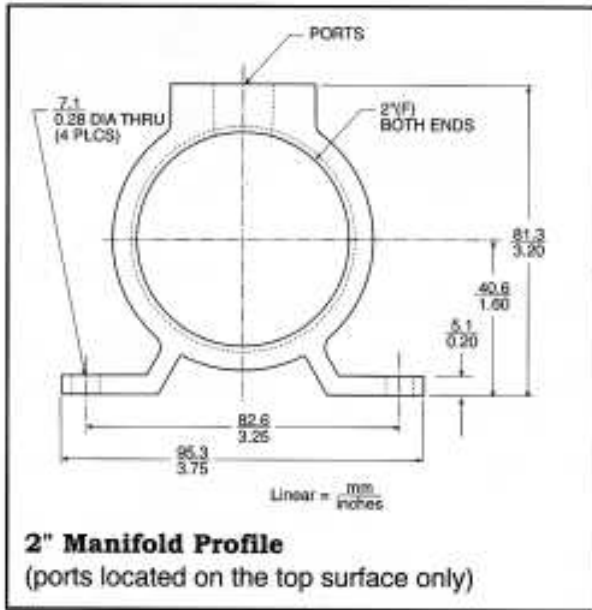
**Supply Threads**  
 NPT  
 British Parallel  
 British Taper

A  
 BA  
 TA

**Total Number of ports**     **4 to 16**

**Ports Sizes**

- 1/2" BSPP(F)     **4B**
- 1/2" BSPT(F)     **4T**
- 3/4" NPT(F)       **6**
- 3/4" BSPP(F)      **6B**
- 3/4" BSPT(F)      **6T**
- 1" NPT(F)         **8**
- 1" BSPP(F)        **8B**
- 1" BSPT(F)        **8T**



Dimension Chart (inches/mm)				
MANIFOLD SIZE	PORT SIZE	A	B	C
3/4" & 1"	1/8"	1.5" 38.1mm	1.0" 25.4mm	2.0" 50.8mm
	1/4"		1.5" 38.1mm	2.25" 57.2mm
	3/8"		2.0" 50.8mm	2.5" 63.5mm
	1/2"		2.0" 50.8mm	2.5" 63.5mm
1-1/2"	1/4"	1.5" 38.1mm	1.5" 38.1mm	2.5" 57.2mm
	3/8"		2.0" 50.8mm	2.5" 63.5mm
	1/2"	2.0" 50.8mm	2.0" 50.8mm	3.0" 76.2mm
	3/4"		3.0" 76.2mm	3.0" 76.2mm
2"	1/2"	2.0" 50.8mm	76.20mm	76.2mm
	3/4"		2.0" 50.8mm	3.5" 88.9mm
	1"		3.0" 76.2mm	1.0" 25.4mm



© 2017 MOLDERS CHOICE, Inc.

**24 Hour Service - 7 Days a week**  
1-800-809-4623  
 WebSite: [www.molderschoice.com](http://www.molderschoice.com) • Email: [modlers@molderschoice.com](mailto:modlers@molderschoice.com)