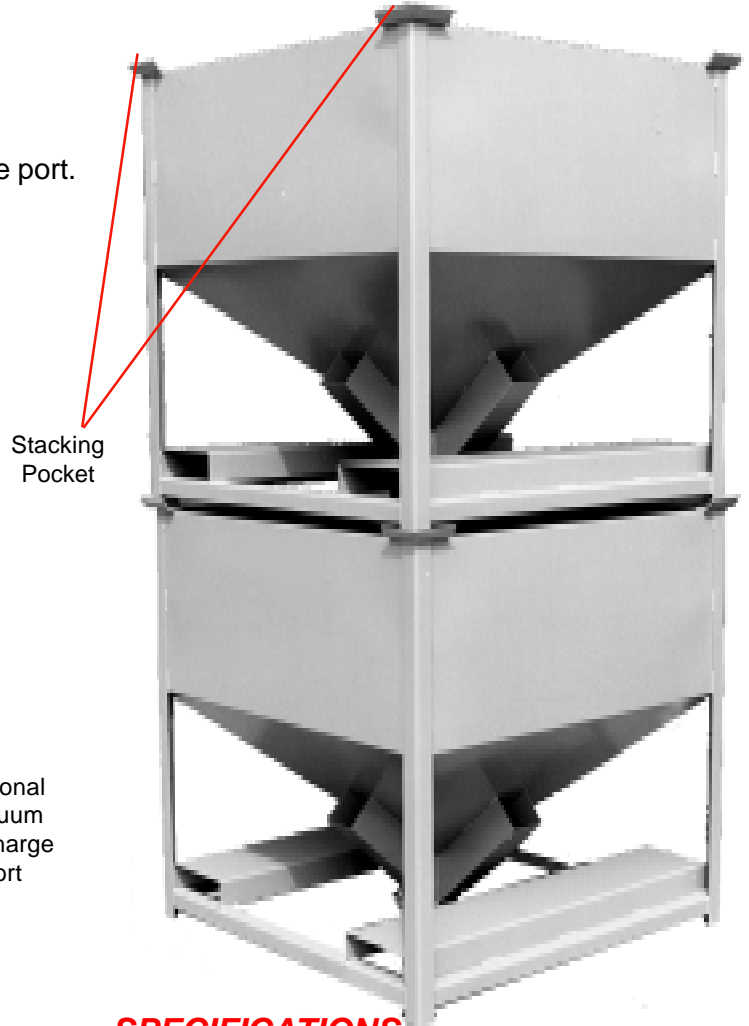
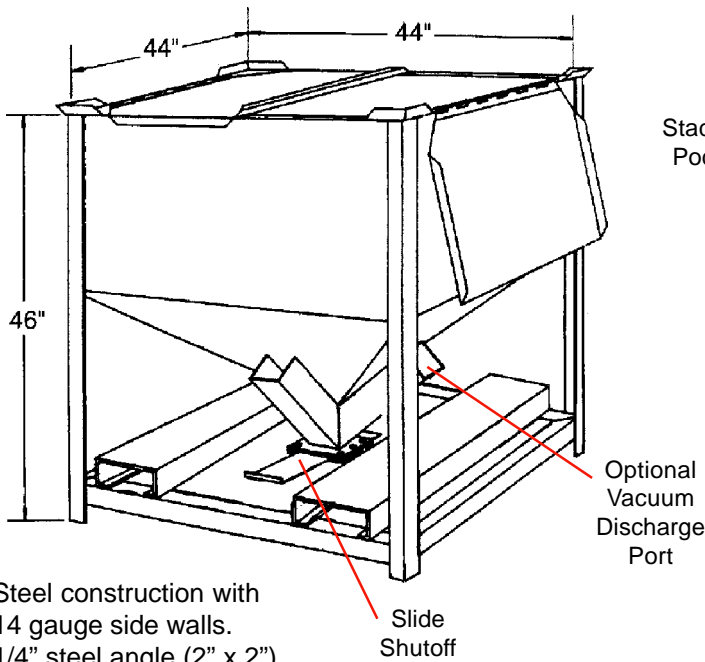


PLASTIC MATERIAL STORAGE HOPPER

• For Low-Cost Storage and Material Transfer

- Can be stacked three-high. Stacking pockets make stacking easier and safer.
- Includes slide shut-off gate on gravity discharge port.
- Options include: Vacuum Discharge Port and One-piece or Hinged Two-piece Cover



- Steel construction with 14 gauge side walls.
- 1/4" steel angle (2" x 2") for strength
- 4" discharge gate.
- Finish: Vista gray industrial enamel.
- Oversized fork pockets
- Stacking pads

Options:

- Cover, 1 pc. or 2 pc.
- Casters, 4" with two locking and two fixed wheels.
- Bag-break grate.
- Four-way fork pockets
- Stainless steel or aluminum.
- Card holders, 3" x 5".
- Custom bins to your specifications.
- Custom Paint

SPECIFICATIONS

MODEL NO. <i>WITHOUT</i>	CAPACITY		BASE DIMENSION	HOPPER HEIGHT	SHIPPING WEIGHT	PRICE
	CU.FT.	LBS*				
MSH1050	30	1,050	44" x 44"	42"	350	\$738.00
MSH1400	40	1,400	44" x 44"	52"	365	\$804.00
MSH1750	50	1,750	44" x 44"	62"	395	\$858.00
MSH2100	60	2,100	44" x 44"	72"	435	\$918.00
With 4" VACUUM PORTS						
MSH1050V	30	1,050	44" x 44"	46"	365	\$785.00
MSH1400V	40	1,400	44" x 44"	56"	380	\$822.00
MSH1750V	50	1,750	44" x 44"	66"	410	\$935.00
MSH2100V	60	2,100	44" x 44"	76"	450	\$1012.00

* Based on 36 lb. per cu. ft. material

© 2011 MOLDERS CHOICE, Inc.



24 Hour Service - 7 Days a week
1-800-809-4623
 WebSite: www.molderschoice.com • Email: molders@molderschoice.com