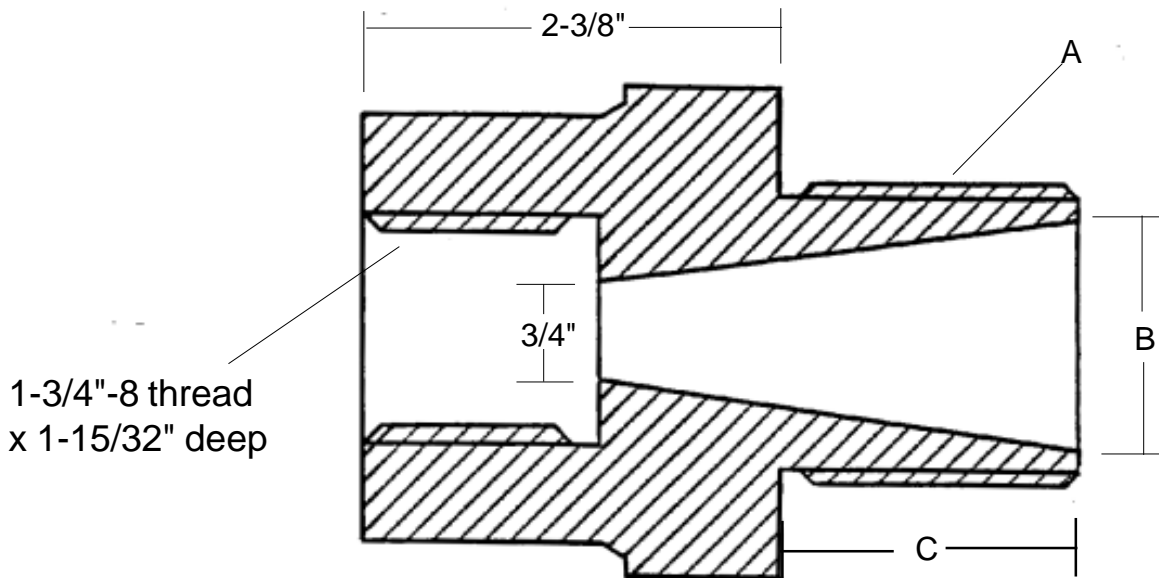


# NOZZLE ADAPTERS

Adapts your Nozzle machine thread to industry standard  
*1-3/4"-8 Thread, 3/4" rear opening*

Standardize your imported machines to popular American thread  
Use only 1 size Nozzle throughout your plant  
regardless of machine make, size, etc.!

*Save Time  
and most importantly  
Save Money!*



All adaptors accept a  
2-1/2" I.D. x 1-1/2" wide Heater Band  
- Not included-

**ADVISE:**

- A - Thread Size
  - B - Rear Opening
  - C - Length of Thread
  - D - Machine Make
  - E - Heater Band
- Voltage if needed  
120 or 240 volts

Reduce your Nozzle inventory drastically

**Call NOW to order your Nozzle Adapter!**

© 2009 MOLDERS CHOICE, Inc.



24 Hour Service - 7 Days a week  
**1-800-809-4623**  
 WebSite: [www.molderschoice.com](http://www.molderschoice.com) • Email: [molders@molderschoice.com](mailto:molders@molderschoice.com)

# NOZZLE ADAPTERS

ON THE SHELF FOR *IMMEDIATE SHIPMENT*

Machine Make	Part No.	Thread Size	Rear Opening	Thread Length	Price
ARBURG	NAA2415RH	24mm x 1.5mmRH	.295	1.11	\$150.00
ARBURG	NAA2415LH	24mm x 1.5mmLH	.295	1.11	\$150.00
ARBURG	NAA4515LH	45mm x 1.5mmLH	.866	1.141	\$150.00
ARBURG	NAA4520LH	45mm x 2mmLH	.708	1.496	\$150.00
ARBURG	NAA5220RH	52mm x 2mmRH	1.377	1.25	\$150.00
ARBURG	NAA5220LH	52mm x 2mmLH	1.377	1.25	\$150.00
BATTENFELD	NAB3520	35mm x 2mm	.827	1.22	\$150.00
BATTENFELD	NAB4020	40mm x 2mm	.984	1.181	\$150.00
BATTENFELD	NAB6530	65mm x 3mm	1.889	1.968	\$150.00
BILLION	NABN3515	35mm x 1.5mm	1.063	1.063	\$150.00
BILLION	NABN5020	50mm x 2mm	1.417	2.047	\$150.00
BOY	NABY2415	24mm x 1.5mm	.551	1.299	\$150.00
BOY	NABY3315	33mm x 1.5mm	.866	.866	\$150.00
BOY	NABY3515	35mm x 1.5mm	.629	1.417	\$150.00
CINCINNATI	NAC11212	1-1/2 x 12	.500	1.889	\$150.00
DEMAG	NAD4020	40mm x 2mm	1.063	1.771	\$150.00
DEMAG	NAD4530	45mm x 3mm	.984	1.220	\$150.00
DEMAG	NAD603098	60mm x 3mm	.984	1.417	\$150.00
DEMAG	NAD6030157	60mm x 3mm	1.574	1.574	\$150.00
ENGEL	NAE402094	40mm x 2mm	.944	1.259	\$150.00
ENGEL	NAE4020108	40mm x 2mm	1.083	.826	\$150.00
ENGEL	NAE5530	55mm x 3mm	1.181	1.102	\$150.00
FORTUNE	NAF5030	50mm x 3mm	1.023	2.126	\$150.00
HPM	NAH15812F	1-5/8 x 12 female	.750	.625	\$150.00
HPM	NAH31808E	3-1/8 x 8 5/8 extension seat	1.000	2.187	\$150.00
JSW	NAJ4530	45mm x 3mm	1.023	1.574	\$150.00
JSW	NAJ5030	50mm x 3mm	.590	2.250	\$150.00
KAWAGUCHI	NAK17508	1-3/4 x 8	.937	1.250	\$150.00
KAWAGUCHI	NAK4530	45mm x 3mm	.629	1.968	\$150.00
KRAUSS-MAFFE	NAKM11412	1-1/4 x 12	.750	1.496	\$150.00
KRAUSS-MAFFE	NAKM5530	55mm x 3mm	1.299	1.687	\$150.00
MIR	NAMIR7530	75mm x 3mm	1.771	2.070	\$150.00
MITSUBISHI	NAM1121259	1-1/2 x 12	.590	1.375	\$150.00
MITSUBISHI	NAM1121275	1-1/2 x 12	.750	1.375	\$150.00
NEGRI-BOSSI	NANB4020	40mm x 2mm	1.063	1.496	\$150.00
NEW BRITAIN	NANBN5530	55mm x 3mm	.750	1.687	\$150.00
NEWBURY	NANBY11212	1-1/2 x 12	.843	1.440	\$150.00
NISSEI	NANIS4020	40mm x 2mm	.787	1.496	\$150.00
NISSEI	NANIS5020	50mm x 2mm	1.023	1.653	\$150.00
SANDRETTO	NASAN5030	50mm x 3mm	1.377	1.330	\$150.00
TOSHIBA	NAT11212	1-1/2 x 12	.590	1.375	\$150.00
TOSHIBA	NAT31408	3-1/4 x 8	2.047	2.250	\$150.00
TOYO	NATOY5030	5mm x 3mm	1.023	2.060	\$150.00
WINDSOR	NAWIN4020	40mm x 2mm	.787	1.220	\$150.00
VAN DORN	NAVDN11412	1-1/4 x 12	.750	1.625	\$150.00
VAN DORN	NAVDN17508	1-3/4 x 8	1.250	1.750	\$150.00

© 2009 MOLDERS CHOICE, Inc.



24 Hour Service - 7 Days a week

# 1-800-809-4623

WebSite: [www.molderschoice.com](http://www.molderschoice.com) • Email: [molders@molderschoice.com](mailto:molders@molderschoice.com)