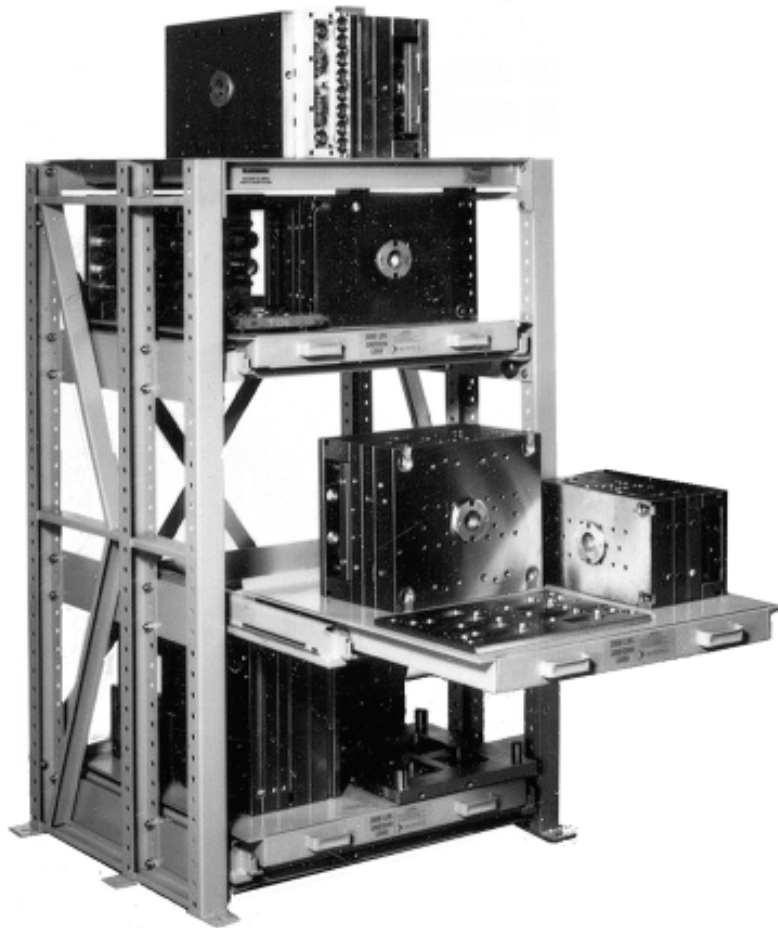


# MOLD STORAGE RACKS



- **Capacity 2000 & 3000 lbs**
- **Standard Shelf Sizes**  
36" W x 36" D, 36" W x 48" D  
48" W x 36" D, 48" W x 48" D
- **Adjustability**  
Shelves vertically adjustable  
2" on centers
- **Add-on Sections**  
Starter units easily accept add-on  
units for future expansions
- **Options**  
Available options include sides,  
backs, doors and shelf locks
- **Color**  
Standard stock color is machinery  
grey. Available in beige or light  
green at no extra charge
- **Installation**  
Units must be level and securely  
anchored to the floor



© 2009 MOLDERS CHOICE, Inc.



24 Hour Service - 7 Days a week  
**1-800-809-4623**  
WebSite: [www.molderschoice.com](http://www.molderschoice.com) • Email: [molders@molderschoice.com](mailto:molders@molderschoice.com)

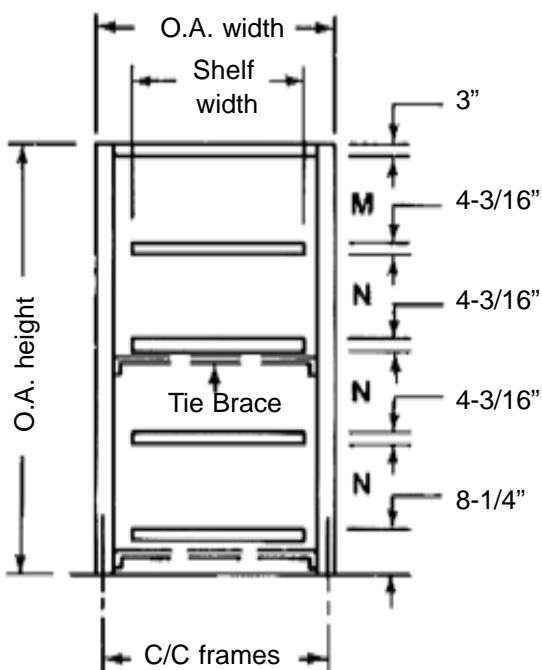
# MOLD STORAGE RACKS

Chart gives shelf clearance for units with equally spaced shelves.

**Note:** Some clearance at top may be less than or greater than other shelf spacings. See M dimension.

**Note:** Tie brace at center of 8', 9' and 10' high units uses 3-1/4" of available shelf clearance. Shading indicates standard number of shelves.

Model Number	O.A. Height	Shelf Clear.	Number of roll-out Shelves								
			1	2	3	4	5	6	7	8	9
EUS-060	60-1/4"	M	49 3/16"	23 3/16"	13 13/16"	7 3/16"	9 3/16"	9 3/16"	-	-	-
		N	-	21 13/16"	13 13/16"	9 13/16"	5 13/16"	3 13/16"	-	-	-
EUS-072	72-1/4"	M	61 3/16"	29 3/16"	17 3/16"	13 3/16"	5 3/16"	11 3/16"	13 3/16"	5 3/16"	-
		N	-	27 13/16"	17 13/16"	11 13/16"	9 13/16"	5 13/16"	3 13/16"	3 3/16"	-
EUS-084	84-1/4"	M	73 3/16"	35 3/16"	21 3/16"	13 3/16"	9 3/16"	13 3/16"	13 3/16"	3 3/16"	9 3/16"
		N	-	33 13/16"	21 13/16"	15 13/16"	11 13/16"	7 13/16"	5 13/16"	5 13/16"	3 13/16"
EUS-096	96-1/4"	M	85 3/16"	41 3/16"	25 3/16"	19 3/16"	13 3/16"	5 3/16"	13 3/16"	15 13/16"	5 3/16"
		N	-	39 13/16"	25 13/16"	17 13/16"	13 13/16"	11 13/16"	7 13/16"	5 3/16"	5 13/16"
EUS-108	108-1/4"	M	97 3/16"	47 3/16"	29 3/16"	19 3/16"	17 3/16"	7 3/16"	13 3/16"	13 3/16"	17 3/16"
		N	-	45 13/16"	29 13/16"	21 13/16"	15 13/16"	13 13/16"	9 13/16"	7 13/16"	5 13/16"
EUS-120	120-1/4"	M	109 3/16"	53 3/16"	33 3/16"	25 3/16"	21 3/16"	9 3/16"	13 3/16"	11 3/16"	13 3/16"
		N	-	51 13/16"	33 13/16"	23 13/16"	17 13/16"	15 13/16"	11 13/16"	9 13/16"	7 13/16"



Prices and availability will be quoted based on the equipment needed to meet your requirements. Please call, fax or email Molders Choice with your mold quantities, sizes and weights, and your plant layout.

C to C of 36" wide unit =  
(shelf width 36" + 6-3/16") 3' - 6-3/16"

C to C of 48" wide unit =  
(shelf width 48" + 6-3/16") 4' - 6-3/16"

© 2009 MOLDERS CHOICE, Inc.



24 Hour Service - 7 Days a week

**1-800-809-4623**

WebSite: [www.molderschoice.com](http://www.molderschoice.com) • Email: [molders@molderschoice.com](mailto:molders@molderschoice.com)