

Effective May 1st, 2010

SOFT BRONZE PRI-POINT™ MOLD TOOLS

**Strong, Bronze Forging . . . Machined Expressly
for Molded Part & Sprue Removal**

STOP Mold Damage - Only use Molders Choice
Bronze Tools for plastic removal

5 Sizes & Styles

All with **Exclusive PRI-POINT Action!**



Soft nylon nut installed
in tool pivot for convenient PRI-POINT

BDS8-PP	7-3/4" OAL Oval Flat Back .100 Beveled flat edge 61/64" Jaw length serrated	\$76.00	
BG8-PP	8" OAL Oval Rounded Back, relieved .100 Beveled flat edge 61/64" Jaw length	\$69.00	
BC9-PP	8-1/2" OAL 60-Degree Curved Long Nose, Serrated 1-5/64" Jaw length	\$69.00	
BCR9-PP	8-1/2" OAL Curved-Nose Relieved Gripper, Serrated 1-27/32" Jaw length	\$76.00	
BL9-PP	9" OAL Long Nose Serrated 2-3/32" jaw length	\$69.00	

Soft Nylon Nut



Part # BPP5 BUY All 5 and *Deduct 5%!* A **\$359.00 Value** for **\$343.00**
Plus get a Handy Tool Box to store them in!

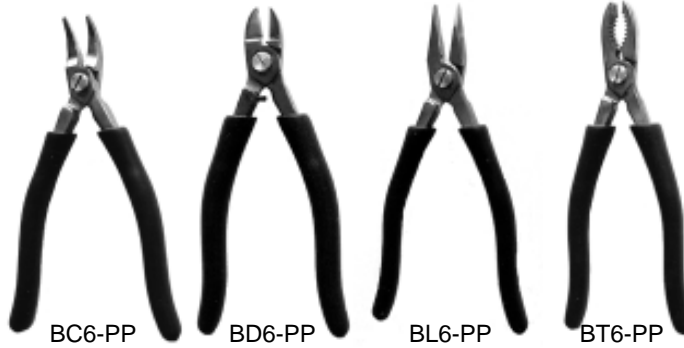
© 2010 MOLDERS CHOICE, Inc.



24 Hour Service - 7 Days a week
1-800-809-4623
WebSite: www.molderschoice.com • Email: molders@molderschoice.com

BRONZE MOLD TOOLS

NEW
Additional
Sizes and
Features



Non-Scratch
Non-Spark
Non-Magnetic

ALL Tools Supplied
with "Exclusive
Pri-Point Action!"

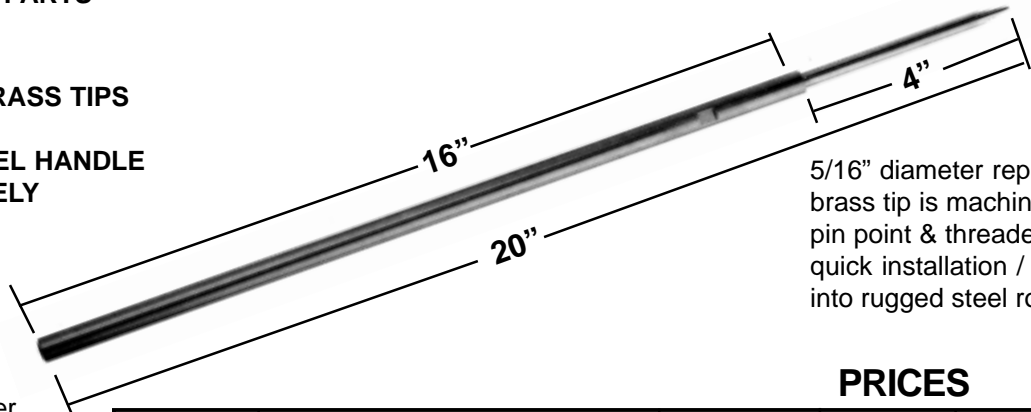
PART #	Type	Size	Head	Edge	Jaw	PRICE
BC6-PP	Pliers	6"	Curved Nose		Grooved, Serrated	\$61.55
BD6-PP	Cutters	6"	Oval	Super flush w/set stop		\$61.55
BD8-PP*	Cutters	8"	Oval	Super flush w/set stop		\$69.00
BL6-PP	Pliers	6"	Long Nose		Grooved, Serrated	\$61.55
BS6-PP*	Combo	6"	Shear Grip	Short thin nose	Serrated	\$61.55
BT6-PP	Pliers	6"	Oval	Gripper, 2-way	Toothed	\$61.00
BT8-PP*	Pliers	8"	Oval	Gripper, 2-way	Toothed	\$69.00

* Not Pictured

BRASS ROD MOLD TOOL

STOP Technicians & Operators from Damaging Mold Surfaces

- REMOVES STUCK PARTS & RUNNERS FAST
- REPLACEABLE BRASS TIPS
- HEAVY DUTY STEEL HANDLE LASTS INDEFINITELY
(won't mushroom over like a brass rod!)



5/16" diameter replacement brass tip is machined to pin point & threaded for quick installation / removal into rugged steel rod.

Strong 1/2" Diameter Steel Rod
Lasts Forever,
Won't Wear Out

PRICES

PART#	DESCRIPTION	QTY 1-9	10-20	21 or more
BMT2	Assembled tool with 1 steel rod / 1 brass tip	\$17.00	\$16.40	\$16.00
RT1	Replacement Brass tip ONLY	\$4.70 each		

© 2010 MOLDERS CHOICE, Inc.



24 Hour Service - 7 Days a week
1-800-809-4623
 WebSite: www.molderschoice.com • Email: molders@molderschoice.com