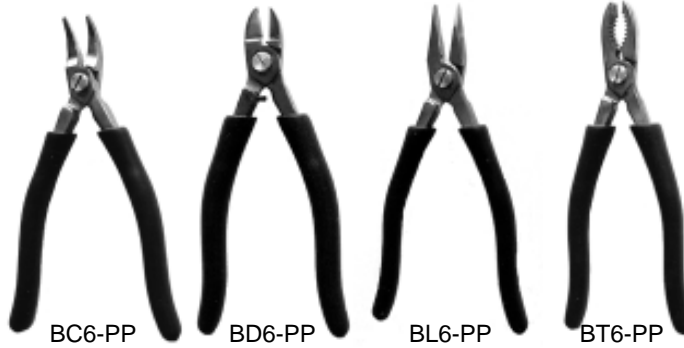


# BRONZE MOLD TOOLS

**NEW**  
Additional  
Sizes and  
Features



Non-Scratch  
Non-Spark  
Non-Magnetic

ALL Tools Supplied  
with "Exclusive  
Pri-Point Action!"

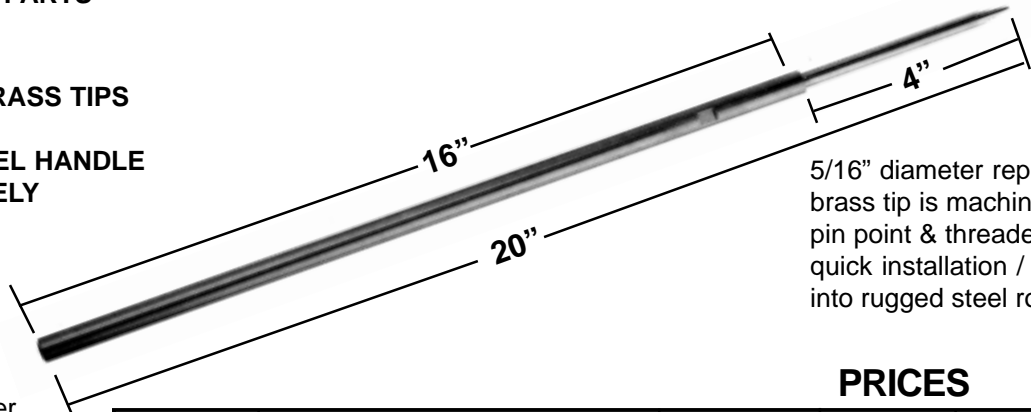
PART #	Type	Size	Head	Edge	Jaw	PRICE
<b>BC6-PP</b>	Pliers	6"	Curved Nose		Grooved, Serrated	<b>\$61.55</b>
<b>BD6-PP</b>	Cutters	6"	Oval	Super flush w/set stop		<b>\$61.55</b>
<b>BD8-PP*</b>	Cutters	8"	Oval	Super flush w/set stop		<b>\$69.00</b>
<b>BL6-PP</b>	Pliers	6"	Long Nose		Grooved, Serrated	<b>\$61.55</b>
<b>BS6-PP*</b>	Combo	6"	Shear Grip	Short thin nose	Serrated	<b>\$61.55</b>
<b>BT6-PP</b>	Pliers	6"	Oval	Gripper, 2-way	Toothed	<b>\$61.00</b>
<b>BT8-PP*</b>	Pliers	8"	Oval	Gripper, 2-way	Toothed	<b>\$69.00</b>

\* Not Pictured

# BRASS ROD MOLD TOOL

**STOP** Technicians & Operators from Damaging Mold Surfaces

- REMOVES STUCK PARTS & RUNNERS FAST
- REPLACEABLE BRASS TIPS
- HEAVY DUTY STEEL HANDLE LASTS INDEFINITELY  
(won't mushroom over like a brass rod!)



5/16" diameter replacement brass tip is machined to pin point & threaded for quick installation / removal into rugged steel rod.

Strong 1/2" Diameter Steel Rod  
Lasts Forever,  
Won't Wear Out

### PRICES

PART#	DESCRIPTION	QTY 1-9	10-20	21 or more
<b>BMT2</b>	Assembled tool with 1 steel rod / 1 brass tip	<b>\$17.00</b>	<b>\$16.40</b>	<b>\$16.00</b>
<b>RT1</b>	Replacement Brass tip ONLY	<b>\$4.70 each</b>		

© 2010 MOLDERS CHOICE, Inc.



24 Hour Service - 7 Days a week  
**1-800-809-4623**  
WebSite: [www.molderschoice.com](http://www.molderschoice.com) • Email: [molders@molderschoice.com](mailto:molders@molderschoice.com)