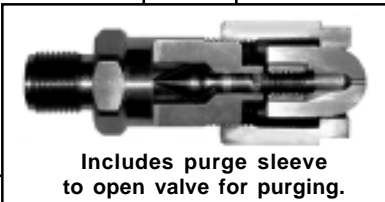
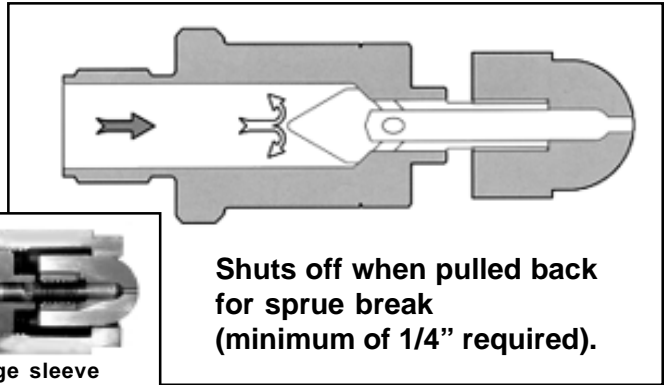
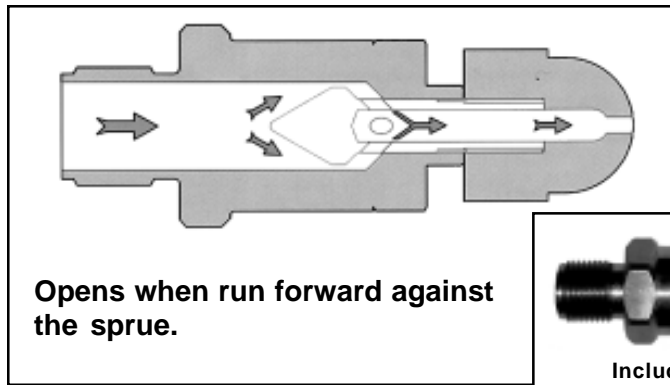
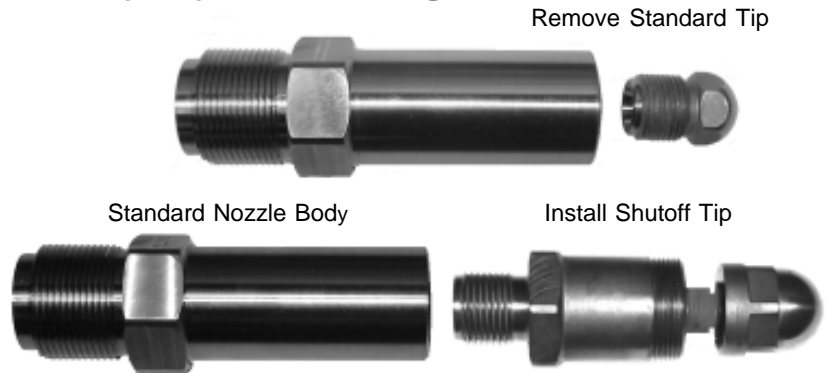


SHUTOFF TIP

A Must for Sprue Break

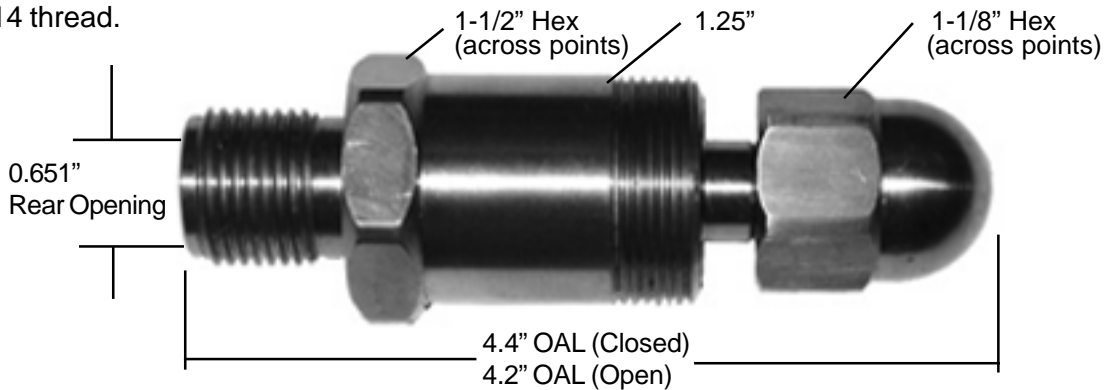
Transform a Standard Nozzle into a Shutoff Nozzle simply by replacing the tip.

- Stops Drool & Stringing.
- Protects Heater Bands.
- Provides Positive Shutoff.
- Low Profile
- Simple to Use.
- Easy to Install.



Fits standard nozzle bodies with 7/8-14 thread.

Low Profile — to fit into recess of most molds.



NOTE: Flow rates through the shutoff nozzle tip are similar to flow rates through a standard tip with a 1/8" orifice.

Adds 3-1/2" to body length.

To Order, Specify Radius (or Flat Face) and Orifice Size. Price \$350.00

Recommended Heater Band 1-1/4" x 1", HBS021 (120V) or HBS022 (240V)

© 2009 MOLDERS CHOICE, Inc.



24 Hour Service - 7 Days a week
1-800-809-4623
 WebSite: www.molderschoice.com • Email: modlers@molderschoice.com

FUCHSLOCHER SHUT-OFF NOZZLES

The ORIGINAL SHUT-OFF. This completely mechanical, fully operational FUSCHLOCHER NOZZLE provides:

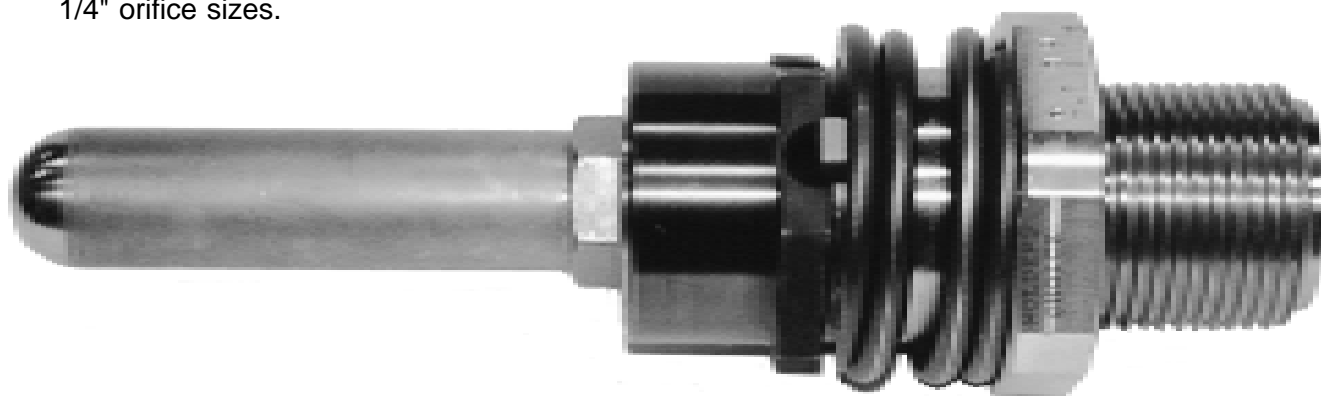
- Controllable back flow during injection, to reduce flash
- Positive shut-off to prevent drooling, stringing
- No internal springs
- Nylon-design tip to eliminate cold slugs
- Precise pressure control during cure time

THE NOZZLE TIP

Nylon type reverse-taper internal design, manufactured of tough, hardened tool steel. The tip can be changed in just minutes. The nozzle tip is available in 1/2" and 3/4" radius with 1/8, 5/32, 3/16, or 1/4" orifice sizes.

THE SHUT-OFF PIN

When in the open position, the pin allows unrestricted material flow during injection. During screw pull-back or idle, the pin seals against the replaceable tip seal, eliminating drool or stringing.



THE EXTERNAL SPRING

Activates the shut-off pin during screw pull-back or idle. To activate into open position, plastic material flow during injection forces the spring tension on the shut-off pin away from the seat. During screw pull-back or idle, tension from the spring forces the pin forward, sealing off material flow.

ADVANTAGES

- Completely mechanical, automatic operation.
- Controllable back-flow during injection reduces flashing.
- Positive shut-off prevents drooling.
- No internal springs.
- Eliminates cold slugs.
- Precise pressure control during cure.
- Increase productivity by up to 34%.



© 2009 MOLDERS CHOICE, Inc.

24 Hour Service - 7 Days a week

1-800-809-4623

WebSite: www.molderschoice.com • Email: molders@molderschoice.com

FUCHSLOCHER SHUT-OFF NOZZLES

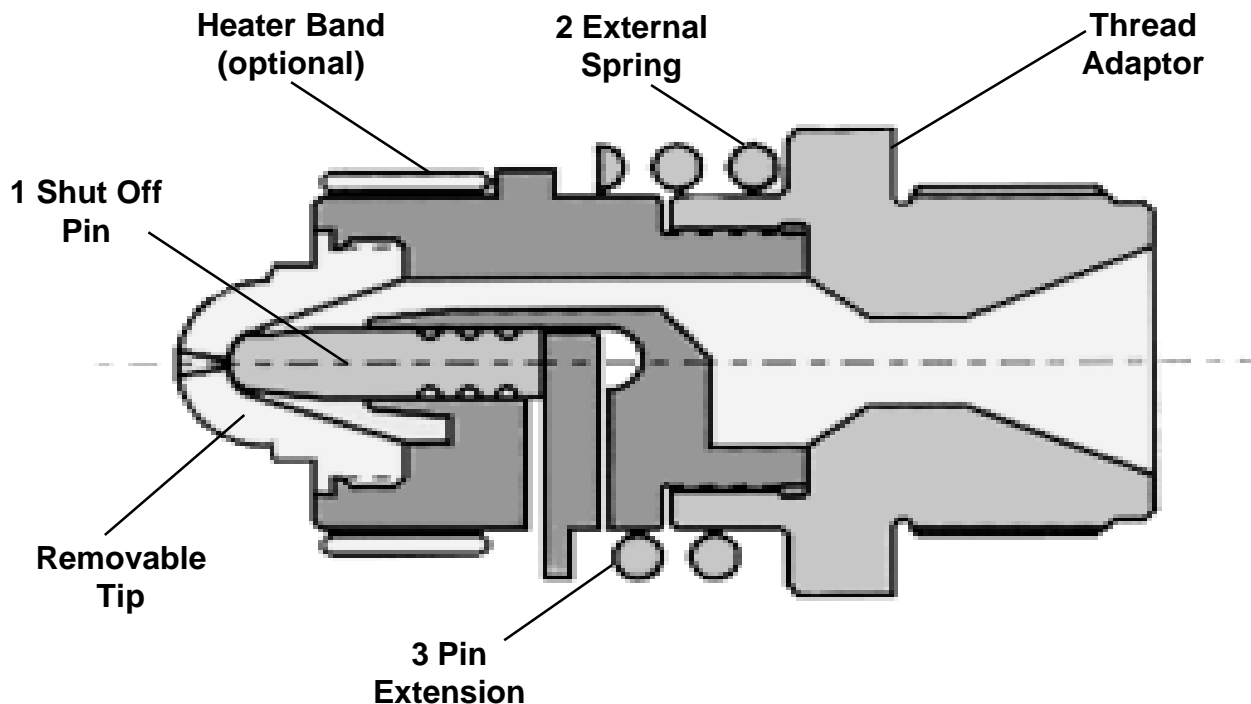
OPERATING PROCEDURES

The Fuschlocher SHUT-OFF NOZZLE is designed to be fully automatic and mechanical. Its movement is generated by the machine injection cycle.

During injection, the plastic material forces the shut-off pin (1) back against the spring tension (2) on the pin extension (3). The material then flows without restriction through the sprue bushing into the mold.

When the injection cycle is complete, no pressure is present. The spring (2) closes the shut-off pin (1) by means of the pin extension (3) against the inside nozzle orifice.

Since the nozzle tip is of a nylon, reverse taper design, cold slugs and stringing are now eliminated.



- **CRACKING PRESSURE 1800 psi**
(Max. Screw Back Pressure)

- **PRESSURE TO OPEN FULLY**

1/8" orifice 1900 psi
5/32" orifice 2000 psi
3/16" orifice 2100 psi

NOTE: Pressures are in lbs. per square inch of plastic melt. In most cases the hydraulic pressure of the machine will be one tenth of the above values. It should be noted, however, that the hydraulic oil to plastic ratio is not always one-to-ten.

© 2008 MOLDERS CHOICE, Inc.



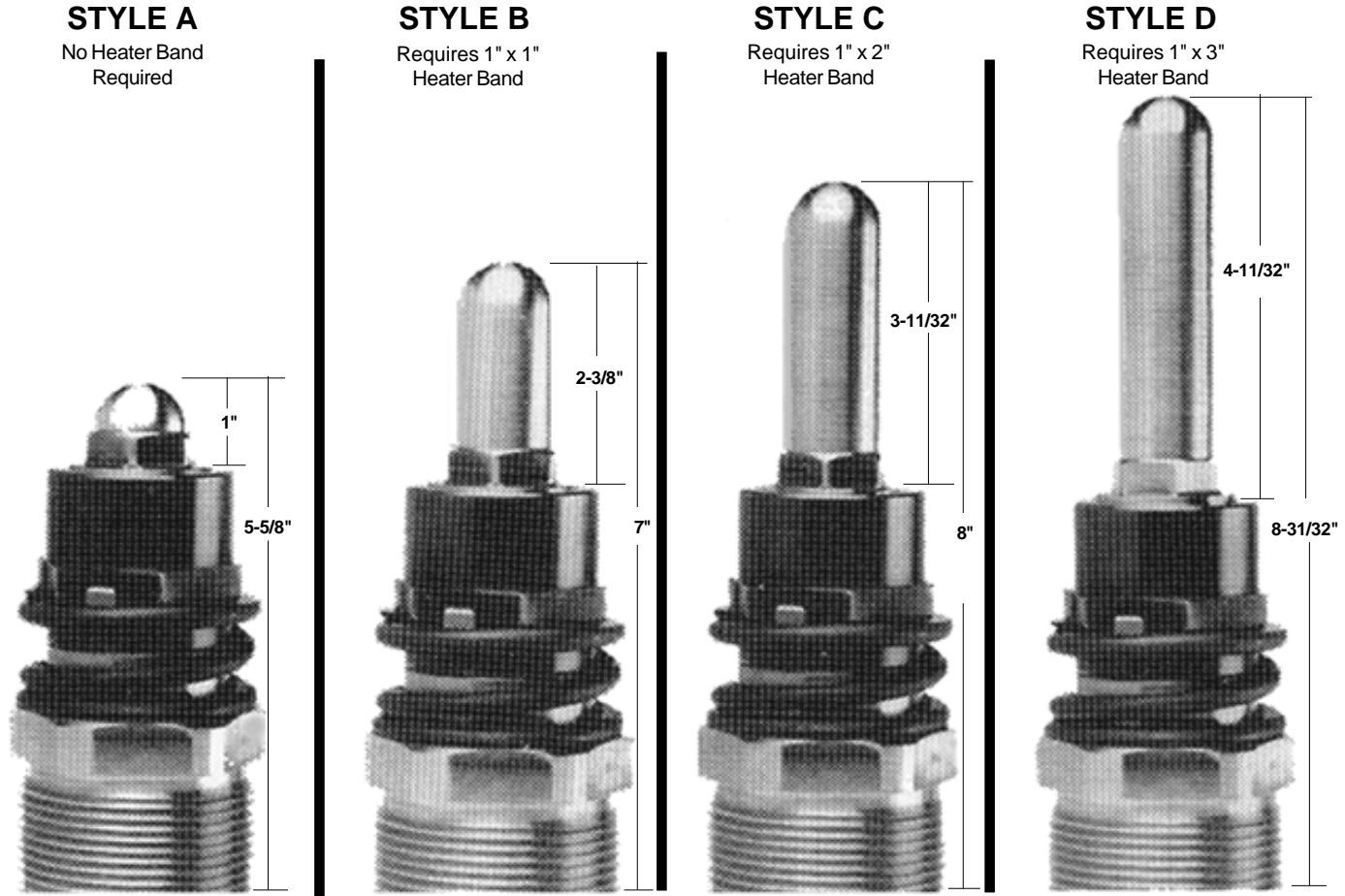
24 Hour Service - 7 Days a week

1-800-809-4623

WebSite: www.molderschoice.com

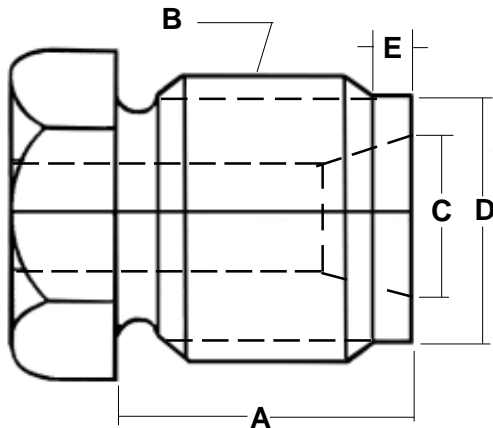
E-mail: molders@molderschoice.com

FUCHSLOCHER SHUT-OFF NOZZLES



STYLE A	STYLE B	STYLE C	STYLE D
\$1680.00	\$1720.00	\$1790.00	\$1800.00
Extra Tip P/N FTA \$140.00	Extra Tip P/N FTB \$174.00	Extra Tip P/N FTC \$208.00	Extra Tip P/N FTD \$243.00

Body Requires 2" x 1" Heater Band: P/N HBS067 (120V) or HBS068 (240V)



TO ORDER: PLEASE ADVISE FOLLOWING

- A. Thread Length (includes relief)
- B. Thread Size
- C. Rear Opening Dia.
- D. Relief Diameter
- E. Relief Length
- F. Radius (1/2" or 3/4")
- G. Orifice (1/8", 5/32", 3/16", or 1/4")
- H. Tip Style (overall length)
(All tips are nylon design)
- I. Machine Make and Model

© 2009 MOLDERS CHOICE, Inc.



24 Hour Service - 7 Days a week

1-800-809-4623

WebSite: www.molderschoice.com • Email: molders@molderschoice.com