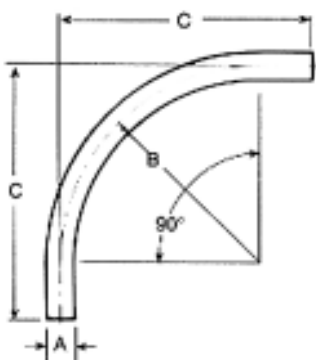


STANDARD LONG RADIUS BENDS - 90°

11 & 16 GAUGE MATERIAL

1-1/4" OD
1-1/2" OD
1-3/4" OD
2" OD
2-1/8" OD
2-1/2" OD
3" OD
3-1/2" OD
4" OD

For larger ODs,
please call.



All standard bends have straight ends. Expanded ends are available upon request, except on 8" and 10" bends.

Nominal Standard Tangent is Two Times Tube OD, 6" minimum.

OD = Outside Diameter
CLR = Center Line Radius

All reference dimensions are nominal.

NOTE: First two digits of part number below indicate gauge

PART NO.	A O.D.	B CLR	C	WEIGHT S STEEL	STAINLESS	ALUMINUM	WEIGHT ALUM.
16-200182	2"	18"	24"	4.7	INQUIRE		1.6
11-200182	2"	18"	24"	8.4			2.2
16-200242	2"	24"	30"	5.8			2.0
11-200242	2"	24"	30"	10.5			3.6
16-200362	2"	36"	42"	8.1			2.8
11-200362	2"	36"	42"	14.6			5.0
16-212242	2-1/8"	24"	30"	5.3	ON		2.0
11-212242	2-1/8"	24"	30"	10.6			3.5
16-212362	2-1/8"	36"	42"	8.6			2.8
11-212362	2-1/8"	36"	42"	13.0	4.9		
16-250242	2-1/2"	24"	30"	7.0	ALL		2.4
11-250242	2-1/2"	24"	30"	12.6			4.5
16-250362	2-1/2"	36"	42"	9.2			3.3
11-250362	2-1/2"	36"	42"	16.9			5.7
16-300242	3"	24"	30"	8.5	PRICING		2.8
11-300242	3"	24"	30"	14.4			5.1
16-300302	3"	30"	36"	10.4	DUE TO		3.5
11-300302	3"	30"	36"	18.2			6.3
16-300362	3"	36"	42"	11.6			4.0
11-300362	3"	36"	42"	21.1			7.3
16-300482	3"	48"	54"	15.3			5.1
11-300482	3"	48"	54"	26.9			8.8
16-350302	3-1/2"	30"	37"	11.9	OF		4.1
11-350302	3-1/2"	30"	37"	21.7			8.0
16-350362	3-1/2"	36"	43"	14.0			4.9
11-350362	3-1/2"	36"	43"	25.5			9.0
16-350482	3-1/2"	48"	55"	17.5			6.2
11-350482	3-1/2"	48"	55"	32.3	12.0		
16-400242	4"	24"	32"	12.6	STEEL		4.5
11-400242	4"	24"	32"	22.3			8.5
16-400302	4"	30"	38"	13.5	PRICING		5.0
11-400302	4"	30"	38"	26.2			9.0
16-400362	4"	36"	44"	16.5			5.9
11-400362	4"	36"	44"	33.2			10.4
16-400482	4"	48"	56"	20.5			7.2
11-400482	4"	48"	56"	37.7			13.5

Other items available. . .
Call Molders Choice

Coating available for highly abrasive materials

© 2009 MOLDERS CHOICE, Inc.



24 Hour Service - 7 Days a week

1-800-809-4623

WebSite: www.molderschoice.com • Email: molders@molderschoice.com