





AIR-OPERATED GATE CUTTERS

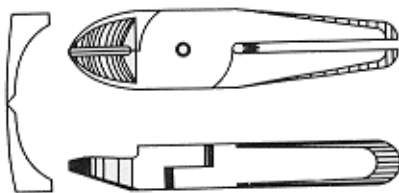
Simple method of degating hard-to-cut gates. MOLDERS CHOICE offers the alternative to hand-held gate cutters. These exceptionally lightweight pneumatic cutters are an excellent value for your money. They speed up sprue removal with minimum effort. The compact and simple design can save you time and money and reduce your labor costs

MODEL	OAL	WEIGHT	AIR pressure	POWER midway on blade	DIA of plastic cut	PRICE includes blades
MR3* Select F10 or F10S Blade 	5"	3 oz.	71 psi	60 #	5/64"	\$160.00
MR10* Select F3 or F3s Blade 	5-11/16"	7 oz.	71 psi	132 #	5/32"	\$175.00
MR20 Select F5 or F5S Blade 	5-1/2"	12 oz.	85 psi	301 #	9/32"	\$275.00
MR30A* Select F9P or FD9P Blade 	8-1/2"	18 oz.	85 psi	617 #	7/16"	\$289.00

BLADES

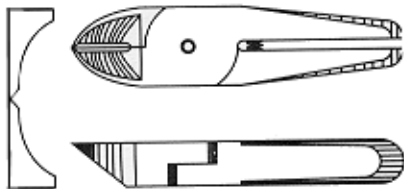
The following blades for most cutting applications have been chosen by MOLDERS CHOICE for air-operated and heated gate nippers.

ROUND BACK



PART #	FOR USE ON	MAX blade opening	BLADE LGTH	SPRUE DIA	PRICE
F10	MR3	5/32"	1/2"	15/64"	\$75.00
F3	MR10	13/64"	9/16"	5/32"	\$75.00
F5	MR20		9/16"	9/32"	\$65.00
F9P	MR30A	5/8"	1-1/2"	7/16"	\$119.00

FLAT BACK



PART #	FOR USE ON	MAX blade opening	BLADE LGTH	SPRUE DIA	PRICE
F10S	MR3	5/32"	1/2"	15/64"	\$60.00
F3S	MR10	13/64"	1/2"	5/32"	\$60.00
F5S	MR20	21/64"	5/8"	9/32"	\$65.00
FD9P	MR30A	19/32"	1"	25/64"	\$120.00
FA50	AH12	3/8"	1/2"	1/4"	\$79.00

© 2019 MOLDERS CHOICE, Inc.



24 Hour Service - 7 Days a week

1-800-809-4623

WebSite: www.molderschoice.com • Email: molders@molderschoice.com