





# AIR-OPERATED GATE CUTTERS

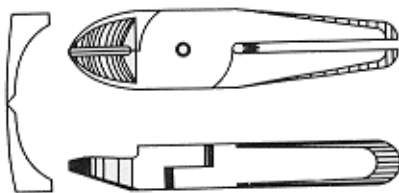
Simple method of degating hard-to-cut gates. MOLDERS CHOICE offers the alternative to hand-held gate cutters. These exceptionally lightweight pneumatic cutters are an excellent value for your money. They speed up sprue removal with minimum effort. The compact and simple design can save you time and money and reduce your labor costs

MODEL	OAL	WEIGHT	AIR pressure	POWER midway on blade	DIA of plastic cut	PRICE includes blades
<b>MR3*</b> Select F10 or F10S Blade 	5"	3 oz.	71 psi	60 #	5/64"	<b>\$160.00</b>
<b>MR10*</b> Select F3 or F3s Blade 	5-11/16"	7 oz.	71 psi	132 #	5/32"	<b>\$175.00</b>
<b>MR20</b> Select F5 or F5S Blade 	5-1/2"	12 oz.	85 psi	301 #	9/32"	<b>\$275.00</b>
<b>MR30A*</b> Select F9P or FD9P Blade 	8-1/2"	18 oz.	85 psi	617 #	7/16"	<b>\$289.00</b>

## BLADES

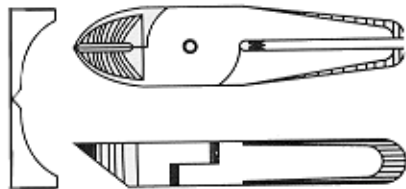
The following blades for most cutting applications have been chosen by MOLDERS CHOICE for air-operated and heated gate nippers.

### ROUND BACK



PART #	FOR USE ON	MAX blade opening	BLADE LGTH	SPRUE DIA	PRICE
F10	MR3	5/32"	1/2"	15/64"	<b>\$75.00</b>
F3	MR10	13/64"	9/16"	5/32"	<b>\$75.00</b>
F5	MR20		9/16"	9/32"	<b>\$65.00</b>
F9P	MR30A	5/8"	1-1/2"	7/16"	<b>\$119.00</b>

### FLAT BACK



PART #	FOR USE ON	MAX blade opening	BLADE LGTH	SPRUE DIA	PRICE
F10S	MR3	5/32"	1/2"	15/64"	<b>\$60.00</b>
F3S	MR10	13/64"	1/2"	5/32"	<b>\$60.00</b>
F5S	MR20	21/64"	5/8"	9/32"	<b>\$65.00</b>
FD9P	MR30A	19/32"	1"	25/64"	<b>\$120.00</b>
FA50	AH12	3/8"	1/2"	1/4"	<b>\$79.00</b>

© 2019 MOLDERS CHOICE, Inc.



**24 Hour Service - 7 Days a week**

# 1-800-809-4623

WebSite: [www.molderschoice.com](http://www.molderschoice.com) • Email: [modlers@molderschoice.com](mailto:modlers@molderschoice.com)

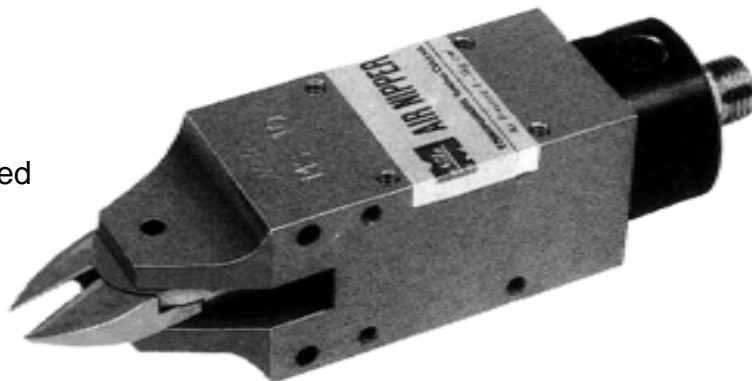
# Fixture-Mountable AIR-OPERATED GATE CUTTERS

Increase Efficiency

Decrease Operator Fatigue

Your operators handle only the molded part/saving the steps of reaching for and returning the cutter.

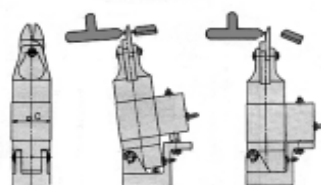
Uses the same blades as our other Air-Operated Gate Cutters.



Part #	Description	Air Pressure	Power Midway on blade	Diameter of plastic cut	Price (including blade)
<b>MS10-F3</b>	MS10 Power Unit with F3 blade	71psi	132 psi	5/32" (soft)	<b>\$195.00</b>
<b>MS20-F5</b>	MS20 Power Unit with F5 blade	85 psi	301 psi	9/32" (soft)	<b>\$210.00</b>
<b>MS30-F9P</b>	MS30 Power Unit with F9P blade	85 psi	617 psi	13/32" (soft)	<b>\$290.00</b>

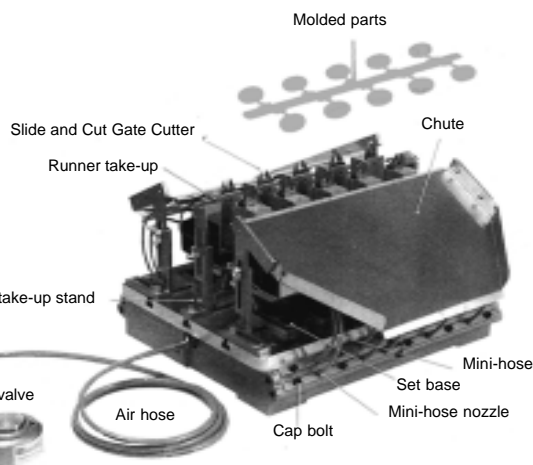
# Slide and Cut AIR-OPERATED GATE CUTTERS and GATE-CUTTING TABLE

For fully-automated gate cutting



Cutter slides along runner until it reaches the part, then cuts

Gate-Cutting Table



Typical Application

Call us for a quote

© 2009 MOLDERS CHOICE, Inc.



24 Hour Service - 7 Days a week  
**1-800-809-4623**  
 WebSite: [www.molderschoice.com](http://www.molderschoice.com) • Email: [molders@molderschoice.com](mailto:molders@molderschoice.com)