

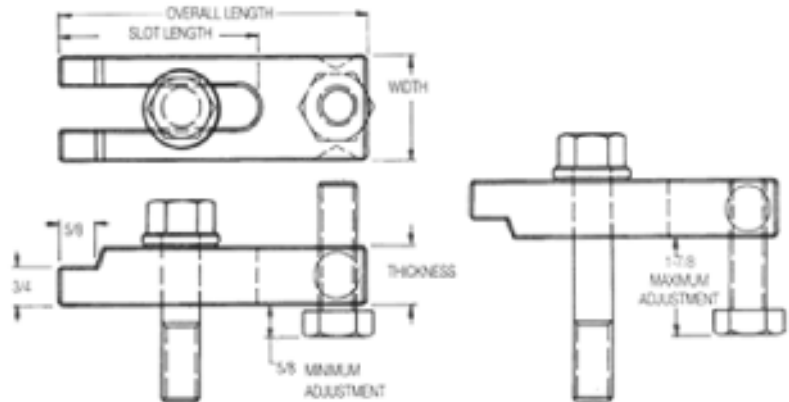
# Open Toe MOLD CLAMPS



(All Clamp Styles and Sizes Available with Non-Swivel-Base)



- Each Mold Clamp Set Consists of:
- 1 - Mold Clamp
  - 1 - Clamp Adjusting Screw
  - 1 - Mold Washer
  - 1 - Clamping Screw



For Clamping Screw Diameter	Clamping Screw Size Supplied With Assembly Diameter x Length	Mold Clamp Specifications				Complete Assembly Part Number	Price Each	Individual Clamp Bodies Part Number	Price Each
		Thickness	Width	Slot Length	Overall Length				
5/8"	5/8-11 x 3-1/4	1	1-3/4	2-3/4	4	MCCFC584A	\$26.88	MCHD584	\$20.80
				3-1/4	5	MCCFC585A	\$27.50	MCHD585	\$22.30
				3-3/4	6	MCCFC586A	\$30.00	MCHD586	\$24.75
				4-1/4	7	MCCFC587A	\$32.40	MCHD587	\$27.00
3/4"	3/4-10 x 4	1-1/8	2	3-3/8	5	MCCFC755A	\$35.40	MCHD755	\$27.00
				3-7/8	6	MCCFC756A	\$37.80	MCHD756	\$29.50
				4-3/8	7	MCCFC757A	\$40.25	MCHD757	\$31.85
				5-3/8	8	MCCFC758A	\$42.50	MCHD758	\$34.25
1"	1-8 x 4-1/2	1-1/2	2-1/2	6	10	MCCFC110A	\$65.75	MCHD110	\$48.20

©2019 MOLDERS CHOICE, Inc.



**24 Hour Service - 7 Days a week**  
**1-800-809-4623**  
 WebSite: [www.molderschoice.com](http://www.molderschoice.com) • Email: [modlers@molderschoice.com](mailto:modlers@molderschoice.com)

# Open Toe MOLD CLAMPS

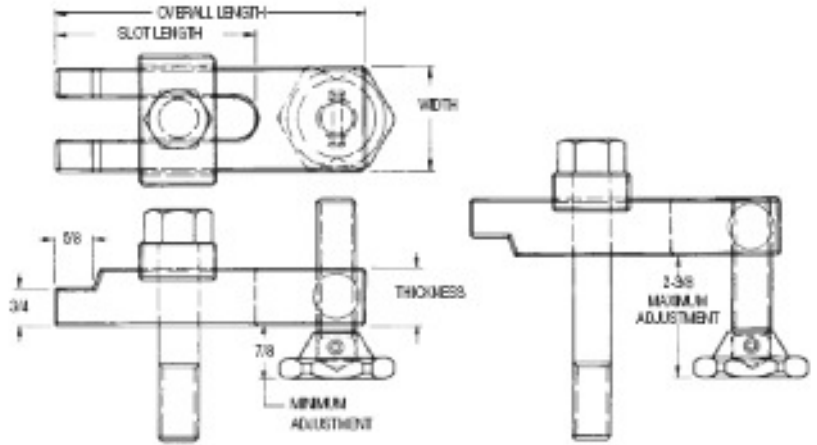
**HEAVY DUTY**

**(with Swivel-Base Adjusting Screw)**



Each Mold Clamp Set  
Consists of:

- 1 - Mold Clamp
- 1 - Clamp Adjusting Screw
- 1 - Mold Washer
- 1 - Clamping Screw



For Clamping Screw Diameter	Clamping Screw Size Supplied With Assembly Diameter x Length	Mold Clamp Specifications				Complete Assembly Part Number	Price Each	Individual Clamp Bodies Part Number	Price Each
		Thickness	Width	Slot Length	Overall Length				
5/8"	5/8-11 x 3-1/2	1	1-3/4	2-3/4	4	MCTAC584A	\$37.80	MCHD584	\$20.00
				3-1/4	5	MCTAC585A	\$40.25	MCHD585	\$22.30
				3-3/4	6	MCTAC586A	\$42.50	MCHD586	\$24.75
				4-1/4	7	MCTAC587A	\$44.95	MCHD587	\$27.00
3/4"	3/4-10 x 4	1-1/8	2	3-3/8	5	MCTAC755A	\$44.80	MCHD755	\$27.00
				3-7/8	6	MCTAC756A	\$51.20	MCHD756	\$29.50
				4-3/8	7	MCTAC757A	\$53.55	MCHD757	\$31.85
				5-3/8	8	MCTAC758A	\$55.95	MCHD758	\$34.25
1"	1-8 x 5	1-1/2	2-1/2	6	10	MCTAC110A	\$85.00	MCHD110	\$48.20

© 2019 MOLDERS CHOICE, Inc.



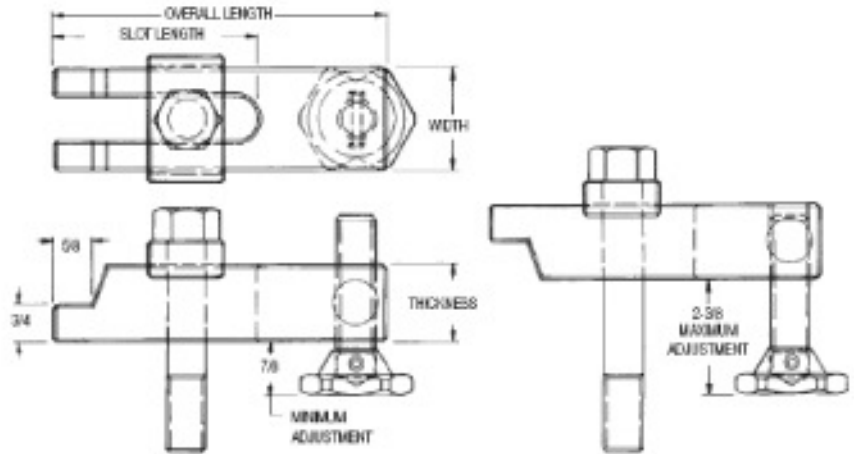
24 Hour Service - 7 Days a week  
**1-800-809-4623**  
 WebSite: [www.molderschoice.com](http://www.molderschoice.com) • Email: [molders@molderschoice.com](mailto:molders@molderschoice.com)

# Open Toe MOLD CLAMPS

**EXTRA HEAVY DUTY** (with Swivel-Base Adjusting Screw)



- Each Mold Clamp Set  
Consists of:
- 1 - Mold Clamp
  - 1 - Clamp Adjusting Screw
  - 1 - Mold Washer
  - 1 - Clamping Screw



For Clamping Screw Diameter	Clamping Screw Size Supplied With Assembly Diameter x Length	Mold Clamp Specifications				Complete Assembly Part Number	Price Each	Individual Clamp Bodies Part Number	Price Each
		Thickness	Width	Slot Length	Overall Length				
5/8"	5/8-11 x 3-3/4	1-1/4	1-3/4	3-5/8	6	MCTAC5860A	\$47.30	MCHXD5860	\$29.00
				4-5/8	7-1/2	MCTAC5875A	\$50.90	MCHXD5875	\$32.75
3/4"	3/4-10 x 3-3/4	1-1/2	2	4	6-1/2	MCTAC7565A	\$63.65	MCHXD7565	\$41.65
				5	8	MCTAC7580A	\$67.50	MCHXD7580	\$45.50
				6	9-1/2	MCTAC7595A	\$71.50	MCHXD7595	\$49.50
1"	1-8 x 5-1/2	1-3/4	2-1/2	4-3/8	8	MCTAC1008A	\$91.00	MCHXD1008	\$53.55
				6-3/8	11	MCTAC1011A	\$101.00	MCHXD1011	\$63.60

© 2019 MOLDERS CHOICE, Inc.



24 Hour Service - 7 Days a week  
**1-800-809-4623**  
 WebSite: [www.molderschoice.com](http://www.molderschoice.com) • Email: [molders@molderschoice.com](mailto:molders@molderschoice.com)

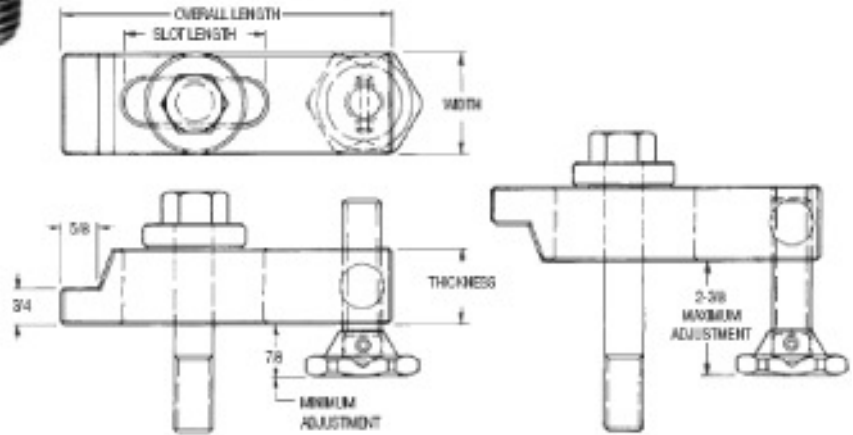
# Closed Toe MOLD CLAMPS

**EXTRA HEAVY DUTY**

(with Swivel-Base Adjusting Screw)



- Each Mold Clamp Set  
Consists of:
- 1 - Mold Clamp
  - 1 - Clamp Adjusting Screw
  - 1 - Mold Washer
  - 1 - Clamping Screw



For Clamping Screw Diameter	Clamping Screw Size Supplied With Assembly Diameter x Length	Mold Clamp Specifications				Complete Assembly Part Number	Price Each	Individual Clamp Bodies Part Number	Price Each
		Thickness	Width	Slot Length	Overall Length				
5/8"	5/8-11 x 3-1/2	1	1-3/4	2-5/8	6	MCTAC5861A	<b>\$46.40</b>	MCXHD5861	<b>\$30.35</b>
				3-5/8	7-1/2	MCTAC5876A	<b>\$50.00</b>	MCXHD5876	<b>\$33.95</b>
3/4"	3/4-10 x 4	1-1/8	2	2-3/4	6-1/2	MCTAC7566A	<b>\$64.50</b>	MCXHD7566	<b>\$44.35</b>
				3-3/4	8	MCTAC7581A	<b>\$68.50</b>	MCXHD7581	<b>\$48.20</b>
				4-3/4	9-1/2	MCTAC7596A	<b>\$72.30</b>	MCXHD7596	<b>\$52.00</b>
1"	1-8 x 5	1-1/2	2-1/2	3	8	MCTAC1009A	<b>\$90.75</b>	MCXHD1009	<b>\$55.00</b>
				5	11	MCTAC1012A	<b>\$100.85</b>	MCHXD1012	<b>\$65.15</b>
1-1/4"	1-1/4-7 x 6	1-3/4	3	5-1/2	13	MCTAC1250A	<b>\$224.00</b>	MCXHD1250	<b>\$121.30</b>
1-1/2"	1-1/2-6 x 6	1-3/4	3-1/2	5-3/4	13-1/2	MCTAC1500A	<b>\$245.75</b>	MCXHD1500	<b>\$169.00</b>

© 2019 MOLDERS CHOICE, Inc.



**24 Hour Service - 7 Days a week**  
**1-800-809-4623**  
 WebSite: [www.molderschoice.com](http://www.molderschoice.com) • Email: [molders@molderschoice.com](mailto:molders@molderschoice.com)

# Closed Toe MOLD CLAMPS

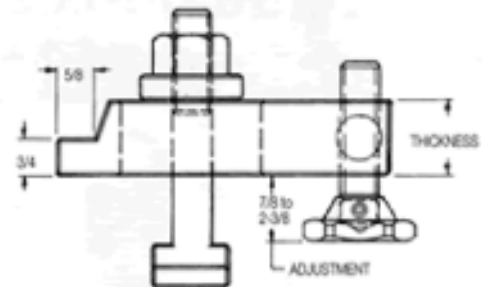
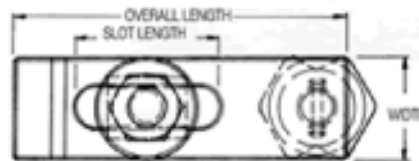
EXTRA HEAVY DUTY

For "T-Slotted" Machines  
(with Swivel-Base Adjusting Screw)



Each Mold Clamp Set  
Consists of:

- 1 - Mold Clamp
- 1 - Clamp Adjusting Screw
- 1 - Mold Washer
- 1 - Clamping Screw



Clamping Screw Size Supplied With Assembly Diameter x Length	Mold Clamp Specifications				Complete Assembly Part Number	Price Each	Individual Clamp Bodies Part Number	Price Each
	Thickness	Width	Slot Length	Overall Length				
5/8 x 4-1/2	1-1/4	1-3/4	2-5/8	6	MCTBA5861A	<b>\$52.50</b>	MCHXD5861	<b>\$30.35</b>
3/4 x 3-3/4	1-1/2	2	4-5/8	7-1/2	MCTBA7566A	<b>\$73.50</b>	MCHXD7566	<b>\$44.35</b>
1 x 6	1-3/4	2-1/2	4	6-1/2	MCTBA1009A	<b>\$106.20</b>	MCHXD1009	<b>\$55.00</b>

© 2019 MOLDERS CHOICE, Inc.



**24 Hour Service - 7 Days a week**  
**1-800-809-4623**  
 WebSite: [www.molderschoice.com](http://www.molderschoice.com) • Email: [molders@molderschoice.com](mailto:molders@molderschoice.com)



# MOLD CLAMPS Accessory Replacement Parts

## High Strength: Grade 5, Hex Head Clamping Screws

Part #	Length	Thread Size	Hex Size	Thickness	Price Each
MCS1235	3-1/2	1/2-13	3/4	5/16	\$2.50
MCS5832	3-1/2	5/8-11	15/16	25/64	\$2.25
MCS8535	3-1/2	5/8-11	15/16	25/64	\$2.50
MCS5837	3-3/4	5/8-11	15/16	25/64	\$2.75
MCS7540	4	3/4-10	1-1/8	15/32	\$3.50
MCS7545	4-1/2	3/4-10	1-1/8	15/32	\$3.75
MCS1045	4-1/2	1-8	1-1/2	39/64	\$7.50
MCS1050	5	1-8	1-1/2	39/67	\$9.00
MCS1055	5-1/2	1-8	1-1/2	39/64	\$9.50
MCS1256	6	1-1/2-6	1-7/8	3/4	\$20.00
MCS1506	6	1-1/2-6	2-1/4	7/8	\$24.40



## Extra Large No-Twist Rectangular Mold Washers



Part #	Screw Dia. (I.D.)	Length	Thickness Above Clamp	Clamp Width	Price Each
MCSW127	1/2	2-1/4	3/4	1-3/4	\$6.50
MCSW587	5/8	2-1/4	3/4	1-3/4	\$6.00
MCSW757	3/4	2-1/2	3/4	2	\$6.75
MCSW1007	1	3	1	2-1/2	\$9.25

## High Strength: T-Slot Bolts



Part #	Length	Thread Size	Price Each
MCTB5845	4-1/2	5/8-11	\$8.50
MCTB7550	5	3/4-10	\$12.00
MCTB1060	6	1-8	\$24.00

## Extra Large Round Mold Washers



Part #	Screw Dia. (I.D.)	O.D. Dia.	Thickness	Price Each
MCRW586	5/8	1-3/4	1/2	\$3.88
MCRW756	3/4	2	1/2	\$4.75
MCRW1006	1	2-1/2	5/8	\$7.45
MCRW1256	1-1/4	3	5/8	\$9.25
MCRW1506	1-1/2	3-1/2	5/8	\$11.90

## Hex Head Adjusting Screws



Part #	Clamp Screw Dia.	Thread Size	Head Thickness	Height Above Head	Price Each
MCH-58	5/8	5/8-11	7/16	2-1/2	\$2.75
MCH75	3/4	3/4-10	1/2	2-1/2	\$3.25
MCH100	1	1-8	5/8	2-1/2	\$6.50

## Round Mold Washers



Part #	Screw Dia. (I.D.)	O.D. Dia.	Thickness	Price Each
MCRW58	5/8	1-1/4	1/4	\$2.50
MCRW75	3/4	1-1/2	1/4	\$3.00
MCRW100	1	2	5/16	\$3.88

## Extra Large Adjusting Screw Assemblies



Part #	Clamp Screw Dia.	Thread Size	Swivel Base Hex Size	Base Height	Height Above Head	Price Each
MCH585	5/8	5/8-11	1-3/4	7/8	3	\$10.00
MCH755	3/4	3/4-10	2	7/8	3-1/2	\$12.20
MCH1005	1	1-8	2-1/2	1-5/16	3-1/2	\$19.95
MCH1505	1-1/4	1-1/2-6	3	1-5/8	5-5/8	\$47.25

## Heavy Duty Hex Nuts for T-Slot Bolts



Part #	Screw Dia. (I.D.)	O.D. Dia.	Thickness	Price Each
MCN58	5/8-11	1-1/16	39/64	\$1.80
MCN75	3/4-10	1-1/4	47/64	\$2.40
MCN100	1-8	2-1/2	63/64	\$3.25

© 2019 MOLDERS CHOICE, Inc.

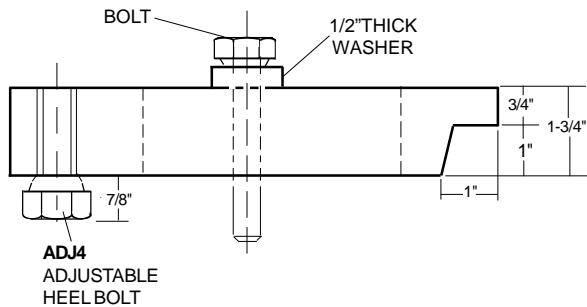


24 Hour Service - 7 Days a week  
**1-800-809-4623**  
 WebSite: [www.molderschoice.com](http://www.molderschoice.com) • Email: [molders@molderschoice.com](mailto:molders@molderschoice.com)

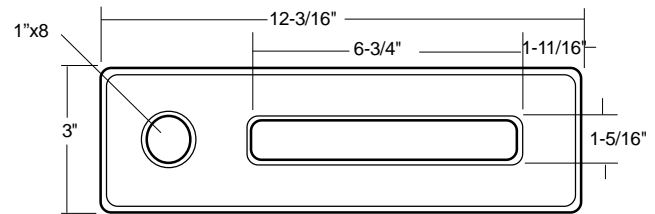
# 12" CLOSED-TOE MACHINED MOLD CLAMP

**FOR 1-1/4" - 7 PLATEN HOLES**  
**Adjustable, for all Mold Flanges 1" to 4-1/4"**

- Hi-tensile hardened steel
- Black oxide finish resists rust and corrosion
- Extra thick design



**Heavy duty design will NOT bend or break!**



**Full 1 Year Warranty**

PART #	DESCRIPTION	PRICE
MCCM12	12" Closed-Toe Mold Clamp, weight: 13 lbs	\$90.00
B1147-60	1-1/4" - 7 x 6" Hex-head bolt (grade 8, black finish)	\$ 8.00
B1147-70	1-1/4" - 7 x 7" Hex-head bolt (grade 8, black finish)	\$ 8.50
ETW11450	2-1/2" O.D. x 1-5/16 I.D. x 1/2" thick Washer for 1-1/4" x 7 bolt	\$ 6.80
ADJ4	Adjustable heel bolt for 12" mold clamp, 1"x8 x 3-1/2	\$11.65

**\* For Metric bolts, please call for prompt pricing & delivery**

© 2014 MOLDERS CHOICE, Inc.



**24 Hour Service - 7 Days a week**  
**1-800-809-4623**  
 WebSite: [www.molderschoice.com](http://www.molderschoice.com) • Email: [molders@molderschoice.com](mailto:molders@molderschoice.com)

# MOLDERS CHOICE BOLTS

## Standard Grade 8 Hex Head Bolts

PART #	Thread Size	Length (under head)	PRICE
B3816-12	3/8 x 16	1/2"	\$0.35
B3816-100	3/8 x 16	1"	\$0.45
B3816-112	3/8 x 16	1-1/2"	\$0.55
B3816-200	3/8 x 16	2"	\$0.65
B3816-300	3/8 x 16	3"	\$0.85
B3816-60	3/8 x 16	6"	\$1.25
B3816-70	3/8 x 16	7"	\$1.50
B1213-034	1/2 x 13	3/4"	\$1.80
B1213-100	1/2 x 13	1"	\$0.50
B1213-112	1/2 x 13	1-1/2"	\$0.50
B1213-20	1/2 x 13	2"	\$0.50
B1231-25	1/2 x 13	2-1/2"	\$1.00
B1213-30	1/2 x 13	3"	\$1.15
B1213-35	1/2 x 13	3-1/2"	\$1.25
B1213-40	1/2 x 13	4"	\$1.45
B3410-30	3/4 x 10	3"	\$1.55
B3410-35	3/4 x 10	3-1/2"	\$1.50

PART #	Thread Size	Length (under head)	PRICE
B3410-40	3/4 x 10	4"	\$1.75
B3410-45	3/4 x 10	4-1/2"	\$1.95
B3410-50	3/4 x 10	5"	\$2.50
B3410-55	3/4 x 10	5-1/2"	\$3.00
B3410-70	3/4 x 10	7"	\$3.50
B5811-35	5/8 x 11	3-1/2"	\$1.25
B5811-40	5/8 x 11	4"	\$1.50
B5811-45	5/8 x 11	4-1/2"	\$1.65
B5811-50	5/8 x 11	5"	\$2.00
B5811-70	5/8 x 11	7"	\$2.50
B1080-45	1 x 8	4-1/2"	\$3.00
B1080-55	1 x 8	5-1/2"	\$3.50
B1080-60	1 x 8	6"	\$4.25
B1147-45	1-1/4 x 7	4-1/2"	\$7.00
B1147-55	1-1/4 x 7	5-1/2"	\$7.50
B1147-60	1-1/4 x 7	6"	\$8.00
B1147-70	1-1/4 x 7	7"	\$8.50

## Metric Grade 8 Hex Head Bolts

PART #	Thread Size	Length (under head)	PRICE
MB12175-55	M12 x 1.75	55MM(2.16")	\$1.75
MB12175-65	M12 x 1.75	65MM(2.55")	\$1.75
MB12175-85	M12 x 1.75	85MM(3.34")	\$1.95
MB12175-90	M12 x 1.75	90MM(3.54")	\$2.15
MB12175-100	M12 x 1.75	100MM(3.93")	\$2.35

PART #	Thread Size	Length (under head)	PRICE
MB1217510-100	M12 x 1.75	110MM(4.33")	\$2.75
MB16200-80	M16 x 2	80MM(3.14")	\$1.75
MB16200-90	M16 x 2	90MM(3.54")	\$2.25
MB16200100	M16 x 2	100MM(3.93")	\$2.50
MB16200160	M16 x 2	160MM(6.29")	\$4.25

## Socket Head Grade 8 Bolts

PART #	Thread Size	Length (under head)	PRICE
SH1213-25	1/2 x 13	2-1/2"	\$2.30
SH1231-30	1/2 x 13	3"	\$2.50
SH1231-40	1/2 x 13	4"	\$3.00
SH1231-45	1/2 x 13	4-1/2"	\$3.50
SH1231-60	1/2 x 13	6"	\$6.00
SH5811-30	5/8 x 11	3"	\$1.50
SH5811-35	5/8 x 11	3-1/2"	\$1.75
SH5811-40	5/8 x 11	4"	\$1.85
SH5811-45	5/8 x 11	4-1/2"	\$2.00
SH5811-50	5/8 x 11	5"	\$2.50
SH5811-55	5/8 x 11	5-1/2"	\$2.60

PART #	Thread Size	Length (under head)	PRICE
SH5811-60	5/8 x 11	6"	\$2.80
SH5811-65	5/8 x 11	6-1/2"	\$2.95
SH3410-45	3/4 x 10	4-1/2"	\$3.00
SH3410-50	3/4 x 10	5"	\$4.00
SH3410-55	3/4 x 10	5-1/2"	\$5.25
SH3410-60	3/4 x 10	6"	\$5.75
SH3410-70	3/4 x 10	7"	\$6.00
SH1080-45	1 x 8	4-1/2"	\$6.50
SH1080-50	1 x 8	5"	\$7.00
SH1080-60	1 x 8	6"	\$7.50
SH1080-70	1 x 8	7"	\$8.50

© 2009 MOLDERS CHOICE, Inc.

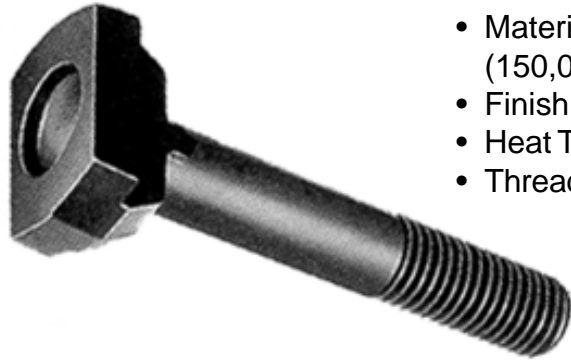


24 Hour Service - 7 Days a week  
**1-800-809-4623**

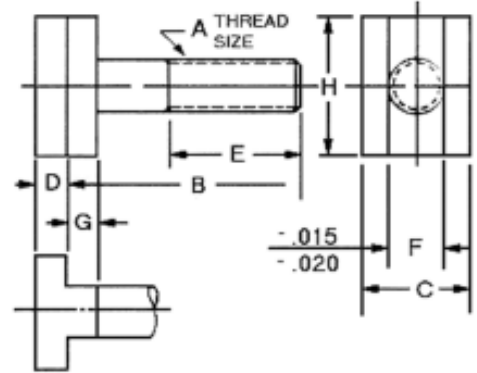
WebSite: [www.molderschoice.com](http://www.molderschoice.com) • Email: [molders@molderschoice.com](mailto:molders@molderschoice.com)



# T-SLOT BOLTS



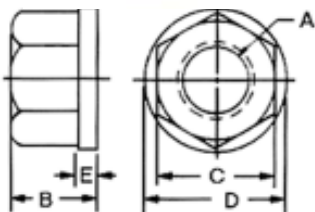
- Material: 4140 Forging (150,00 psi) Tensile(min)
- Finish: Black Oxide
- Heat Treat: Rc 34-38
- Thread: 2A-UNC



PART #	Thread Size A	B	C	D	E	F	G	H	Wt. (LBS)	PRICE
TSB1213-25	1/2-13	2-1/2	7/8	5/16	1-1/4	1/2	9/32	1-1/4	.27	\$10.00
TSB1213-30	1/2-13	3	7/8	5/16	1-1/2	1/2	9/32	1-1/4	.30	\$12.00
TSB1213-35	1/2-13	3-1/2	7/8	5/16	1-1/2	1/2	9/32	1-1/4	.33	\$14.00
TSB1213-40	1/2-13	4	7/8	5/16	1-1/2	1/2	9/32	1-1/4	.37	\$16.00
TSB5811-25	5/8-11	2-1/2	1-1/8	3/8	1-1/4	5/8	3/8	1-1/2	.41	\$15.00
TSB5811-30	5/8-11	3	1-1/8	3/8	1-1/2	5/8	3/8	1-1/2	.44	\$17.00
TSB5811-35	5/8-11	3-1/2	1-1/8	3/8	1-1/2	5/8	3/8	1-1/2	.50	\$19.00
TSB5811-40	5/8-11	4	1-1/8	3/8	1-1/2	5/8	3/8	1-1/2	.55	\$22.00
TSB5811-50	5/8-11	5	1-1/8	3/8	1-1/2	5/8	3/8	1-1/2	.62	\$24.00
TSB5811-60	5/8-11	6	1-1/8	3/8	1-1/2	5/8	3/8	1-1/2	.72	\$26.00
TSB3410-25	3/4-10	2-1/2	1-5/16	7/16	1-1/4	3/4	7/16	1-3/4	.64	\$14.00
TSB3410-30	3/4-10	3	1-5/16	7/16	1-1/2	3/4	7/16	1-3/4	.70	\$16.00
TSB3410-35	3/4-10	3-1/2	1-5/16	7/16	1-1/2	3/4	7/16	1-3/4	.77	\$18.00
TSB3410-40	3/4-10	4	1-5/16	7/16	1-1/2	3/4	7/16	1-3/4	.85	\$20.00
TSB3410-50	3/4-10	5	1-5/16	7/16	1-1/2	3/4	7/16	1-3/4	.95	\$26.00
TSB3410-60	3/4-10	6	1-5/16	7/16	1-1/2	3/4	7/16	1-3/4	1.05	\$30.00
TSB1080-35	1-8	3-1/2	1-11/16	1/2	2	1	1/2	2-1/4	1.25	\$27.00
TSB1080-40	1-8	4	1-11/16	1/2	2	1	1/2	2-1/4	1.50	\$27.00
TSB1080-45	1-8	4-1/2	1-11/16	1/2	2-1/2	1	1/2	2-1/4	1.62	\$29.00
TSB1080-50	1-8	5	1-11/16	1/2	2-1/2	1	1/2	2-1/4	1.75	\$29.00
TSB1080-60	1-8	6	1-11/16	1/2	2-1/2	1	1/2	2-1/4	2.00	\$35.00



# FLANGE NUTS



PART #	Size A	B	C	D	E	Wt. (LBS)	PRICE
FN1213	1/2-13	11/16	7/8	1-1/8	5/32	1.10	\$3.00
FN5811	5/8-11	13/16	1-1/16	1-3/8	3/16	1.75	\$3.25
FN3410	3/4-10	1	1-1/4	1-5/8	1/4	3.20	\$4.50
FN1080	1-8	1-1/4	1-5/8	2	1/4	6.00	\$7.00

© 2009 MOLDERS CHOICE, Inc.



24 Hour Service - 7 Days a week  
**1-800-809-4623**  
 WebSite: [www.molderschoice.com](http://www.molderschoice.com) • Email: [molders@molderschoice.com](mailto:molders@molderschoice.com)

# Quick Change “Arching” MOLD CLAMPS

## Strong Forged Closed Toe Clamp has Integral Washer

- Self Adjusting patented design
- Adjustable pivoting washer secured to clamp, won't be lost
- Eliminate shims, incorrect washers
- Fast, Accurate and Safe
- Used in Molding Plants Worldwide

**3 Stock Sizes  
4" - 5" - 7"  
Larger sizes available**



Another “Exclusive” Mold Setting Aid that Reduces Mold Change Times drastically. And they're only available through Molders Choice!

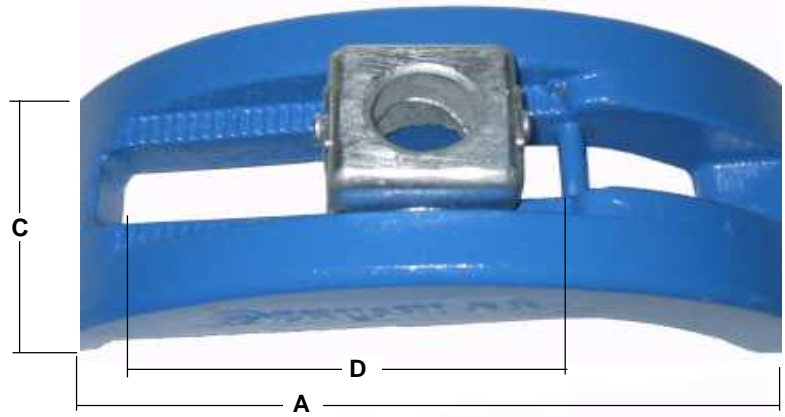
© 2009 MOLDERS CHOICE, Inc.



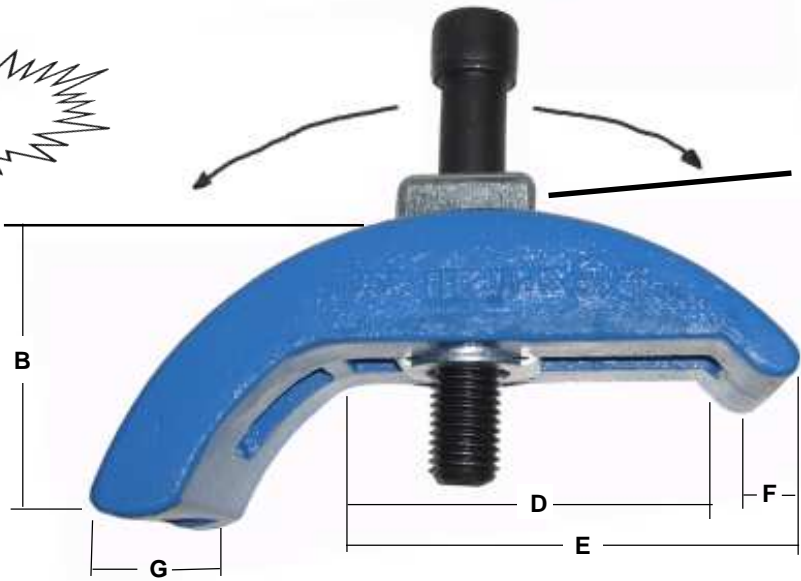
24 Hour Service - 7 Days a week  
**1-800-809-4623**

WebSite: [www.molderschoice.com](http://www.molderschoice.com) • Email: [molders@molderschoice.com](mailto:molders@molderschoice.com)

# Quick Change "Arching" MOLD CLAMPS



**Heavy Duty Forged**



Pivoting washer allows heel & toe to self adjust to mold flange. No need for an adjustable screw!

PART #	Bolt Size	Specifications							PRICE Set of 8 Clamps & Bolts
		A	B	C	D	E	F	G	
<b>M12-100HH</b>	1/2"-13x3" long Hex head	4"	2"	2"	2"	2-1/2"	.300	586	<b>\$100.00</b>
<b>M12-100SH</b>	1/2"-13x3" long Socket head								
<b>M16-130HH</b>	5/8"-11x4" long Hex head	5"	3"	2-1/4"	2-3/4"	3-1/2"	.440	.798	<b>\$160.00</b>
<b>M16-130SH</b>	5/8"-11x4" long Socket head								
<b>M20-180HH</b>	3/4"-10x5" long Hex head	7"	3-1/2"	3"	4"	4-5/8"	.515	.932	<b>\$255.00</b>
<b>M20-180SH</b>	3/4"-10x5" long Socket head								
<b>M24-240HH</b>	M24-3x200mm (7.8) Hex Head	9-3/4"	4-1/2"	4"	5"	6"	.730	1.323	<b>\$545.00</b>
<b>M24-240SH</b>	M24-3x200mm (7.8) Socket								
<b>M30-250HH</b>	M30-3.5x200mm (7.8) Hex Head	9-3/4"	4-1/2"	4"	5"	6"	.730	1.323	<b>\$710.00</b>
<b>M30-250SH</b>	M30-3.5x200mm(7.8)Socket								



© 2014 MOLDERS CHOICE, Inc.

**24 Hour Service - 7 Days a week**  
**1-800-809-4623**  
 WebSite: [www.molderschoice.com](http://www.molderschoice.com) • Email: [molders@molderschoice.com](mailto:molders@molderschoice.com)